



Chipsmall Limited consists of a professional team with an average of over 10 year of expertise in the distribution of electronic components. Based in Hongkong, we have already established firm and mutual-benefit business relationships with customers from,Europe,America and south Asia,supplying obsolete and hard-to-find components to meet their specific needs.

With the principle of “Quality Parts,Customers Priority,Honest Operation,and Considerate Service”,our business mainly focus on the distribution of electronic components. Line cards we deal with include Microchip,ALPS,ROHM,Xilinx,Pulse,ON,Everlight and Freescale. Main products comprise IC,Modules,Potentiometer,IC Socket,Relay,Connector.Our parts cover such applications as commercial,industrial, and automotives areas.

We are looking forward to setting up business relationship with you and hope to provide you with the best service and solution. Let us make a better world for our industry!



## Contact us

Tel: +86-755-8981 8866 Fax: +86-755-8427 6832

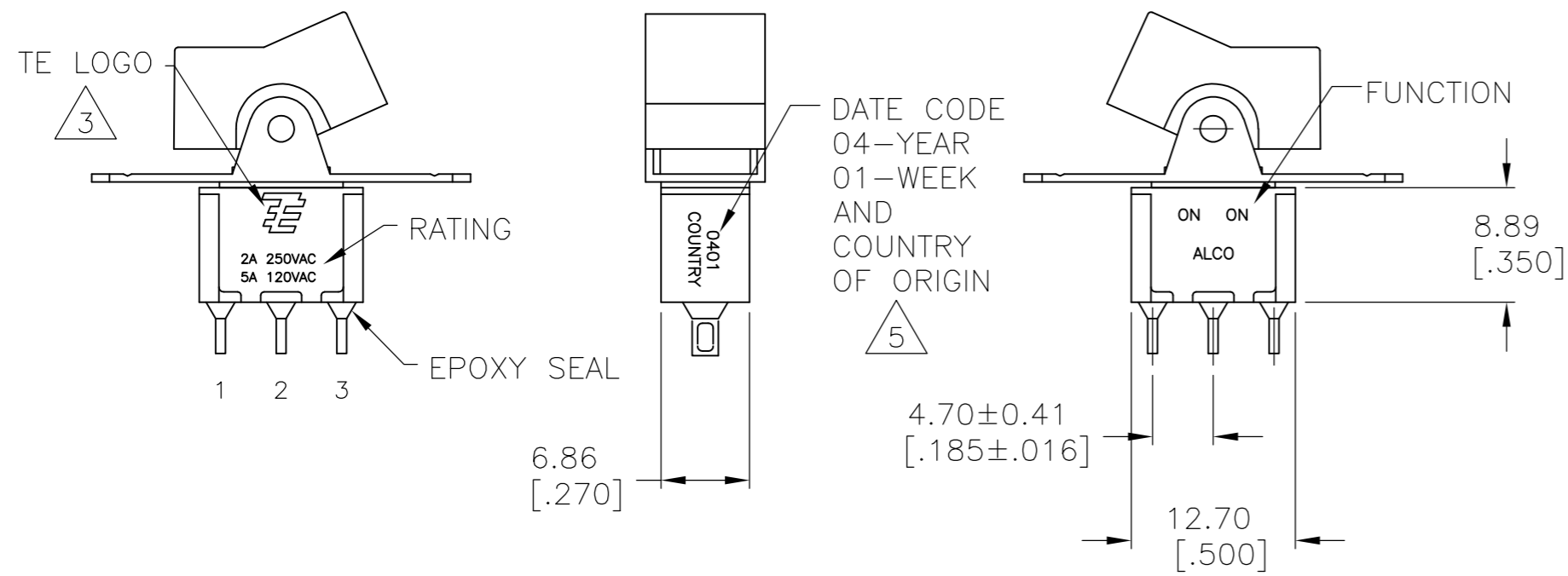
Email & Skype: info@chipsmall.com Web: www.chipsmall.com

Address: A1208, Overseas Decoration Building, #122 Zhenhua RD., Futian, Shenzhen, China



THIS DRAWING IS UNPUBLISHED. RELEASED FOR PUBLICATION  
 © COPYRIGHT - By - ALL RIGHTS RESERVED.

LOC		DIST		REVISIONS			
P	LTR	DESCRIPTION		DATE	DWN	APVD	
AD	00	A8	REVISED PER ECO-12-002356	07FEB12	KH	PO	



- ALL MATERIALS AND FINISHES SHALL COMPLY WITH EU DIRECTIVE 2002/95/EC OF 27JAN2003 (ROHS).
  - G CONTACT OPTION CAN BE USED FOR SIGNAL OR POWER LEVEL SWITCHING. IF SWITCH IS USED AT LEVELS EXCEEDING .4VA @ 20V AC/DC, SWITCH IS RENDERED FOR POWER SWITCHING ONLY DUE TO ARC REMOVAL OF GOLD PLATING. RATING STAMPED ON SWITCH IS 2A 250VAC, 5A 120VAC.
- (3) TE CONNECTIVITY LOGO PER PER TEC-202-36.
  - (5) DATE CODE AND COUNTRY OF ORIGIN MAY APPEAR ON EITHER SIDE OF SWITCH.
  - (6) PANEL MOUNT BRACKET SUPPLIED WITH TERMINALS W, Z AND Z3 ONLY.
  - (7) ACTUATOR MARKED  -
  - (8) ACTUATOR MARKED -
  - (9) ACTUATOR MARKED -

FUNCTION CHART			
FUNCTION			
	1 2 3	1 2 3	1 2 3
01	ON	NONE	ON
03	ON	OFF	ON
05	(ON)	OFF	(ON)
07	ON	OFF	(ON)
08	ON	NONE	(ON)
TERMINALS CONNECTED	2-3	---	1-2

NONE: NO MECHANICAL POSITION  
 OFF: MECHANICAL POSITION WITH NO ELECTRICAL CONNECTION  
 (ON): MOMENTARY ACTION

SPECIFICATIONS	
RATING, B CONTACTS	.4VA MAX @20V MAX. AC OR DC
RATING, G CONTACTS-SEE NOTE 2	.4VA MAX @20V MAX. AC OR DC OR
	5A @120 VAC OR 28 VDC (RESISTIVE)
RATING, Q CONTACTS	2A @250 VAC (RESISTIVE)
	5A @120 VAC OR 28 VDC (RESISTIVE)
ELECTRICAL LIFE	6,000 CYCLES AT RATED LOAD
CONTACT RESISTANCE	10 MILLIOHMS MAX INITIAL @ 2-4VDC, 100MA
INSULATION RESISTANCE	1,000 MEGOHMS MIN
DIELECTRIC WITHSTANDING VOLTAGE	1,000 V RMS AT SEA LEVEL
OPERATING TEMPRATURE	-30C TO 85C

PART NUMBER SEQUENCE CHART							
MODEL	FUNCTION	ACTUATOR	TERMINAL	CONTACT	ACTUATOR COLOR	BEZEL COLOR	ROHS
A1							04
	01	J1	A	B	0 BLACK (STD)	0 BLACK (STD)	
	03	J3	AV2	G	1 BROWN	1 BROWN	
	05	J50	C	Q	2 RED	2 RED	
	07	J51	V3		3 ORANGE	3 ORANGE	
	08	J52	V4		4 YELLOW	4 YELLOW	
		J2	V6		5 GREEN	5 GREEN	
		J4	V7		6 BLUE	6 BLUE	
		J60	W		8 GRAY	8 GRAY	
		J61	W4		9 WHITE	9 WHITE	
		J62	Z				
			Z3				

THIS DRAWING IS A CONTROLLED DOCUMENT.

DWN	M.BINNER	06JAN05
CHK	M.ZITTO	06JAN05
APVD	M.ZITTO	06JAN05
PRODUCT SPEC		
APPLICATION SPEC		

**STE** TE Connectivity

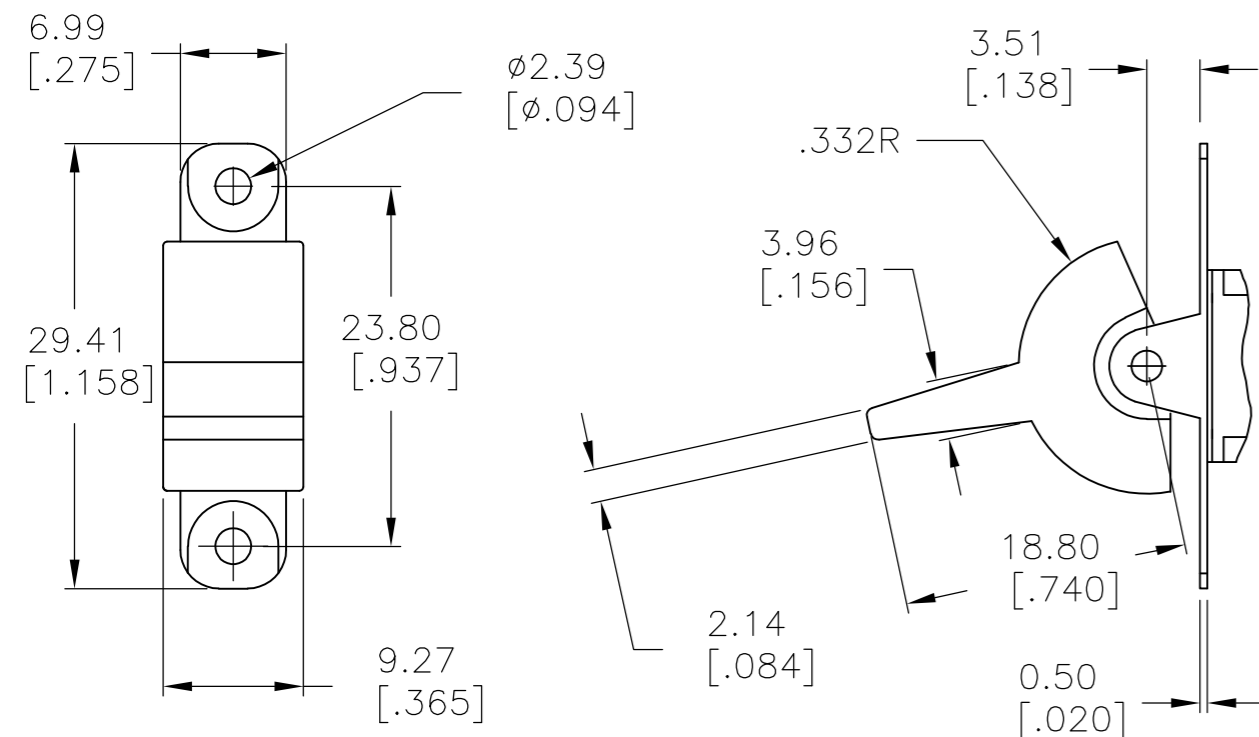
GEMINI A SERIES ROCKER SWITCH SINGLE POLE

SIZE	CAGE CODE	DRAWING NO	RESTRICTED TO
A2	00779	C=1571986	-
CUSTOMER DRAWING		SCALE	SHEET
		2:1	1 of 5
		REV	A8

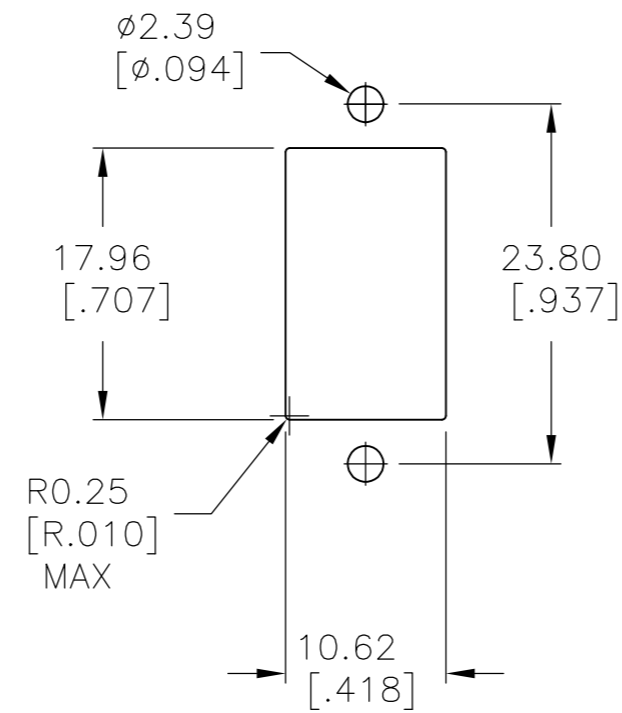


THIS DRAWING IS UNPUBLISHED. RELEASED FOR PUBLICATION  
 © COPYRIGHT - By - ALL RIGHTS RESERVED.

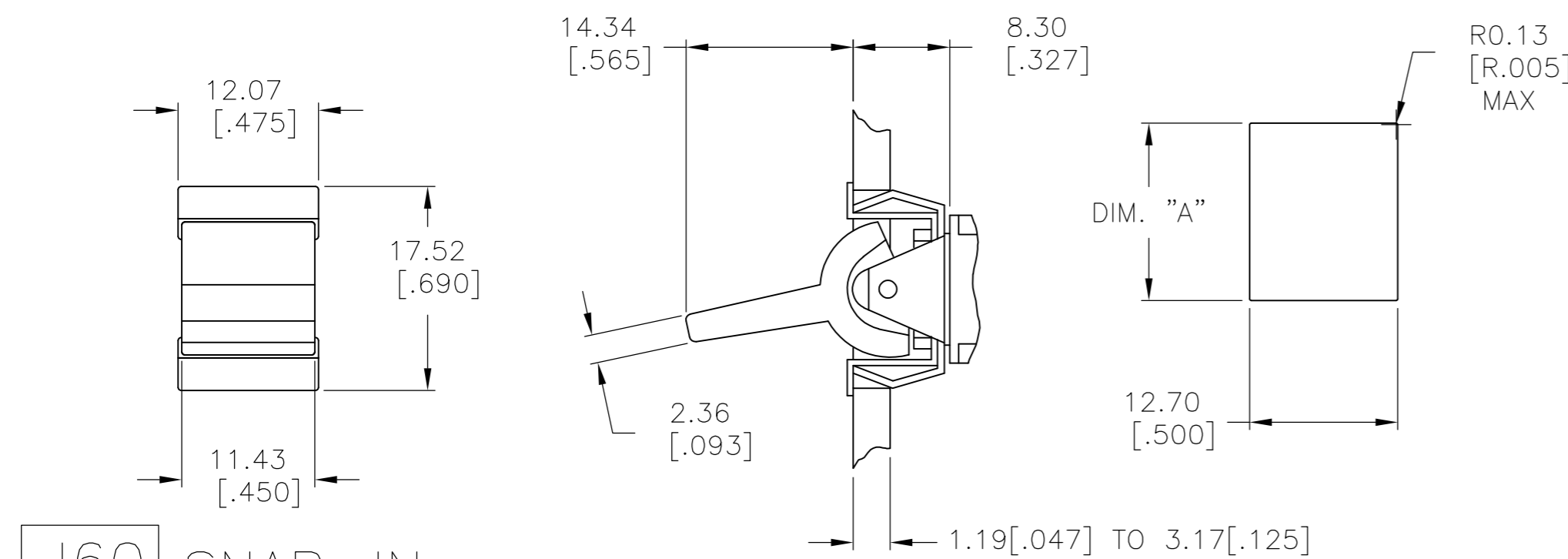
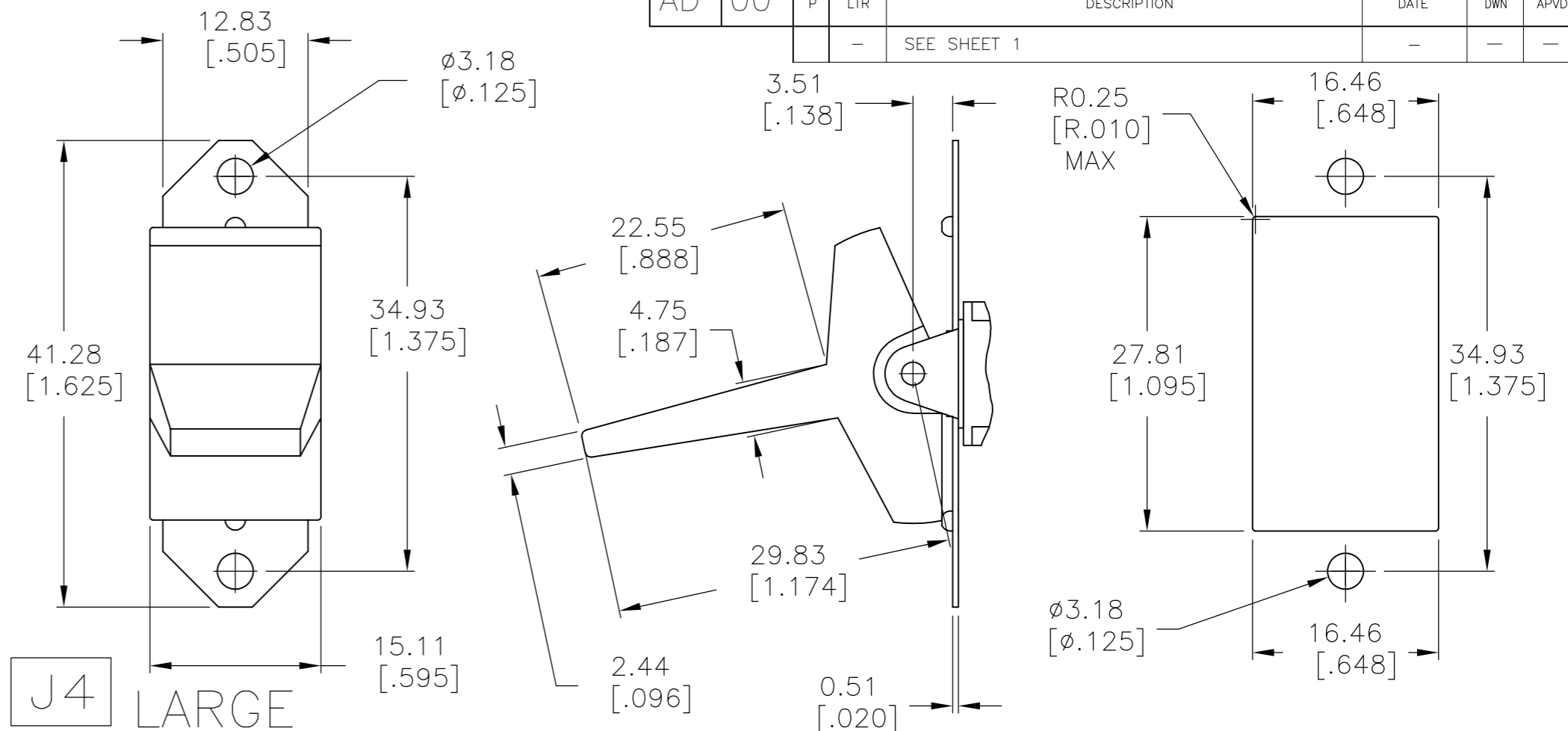
LOC	DIST	REVISIONS					
AD	00	P	LTR	DESCRIPTION	DATE	DWN	APVD
		-	-	SEE SHEET 1	-	-	-



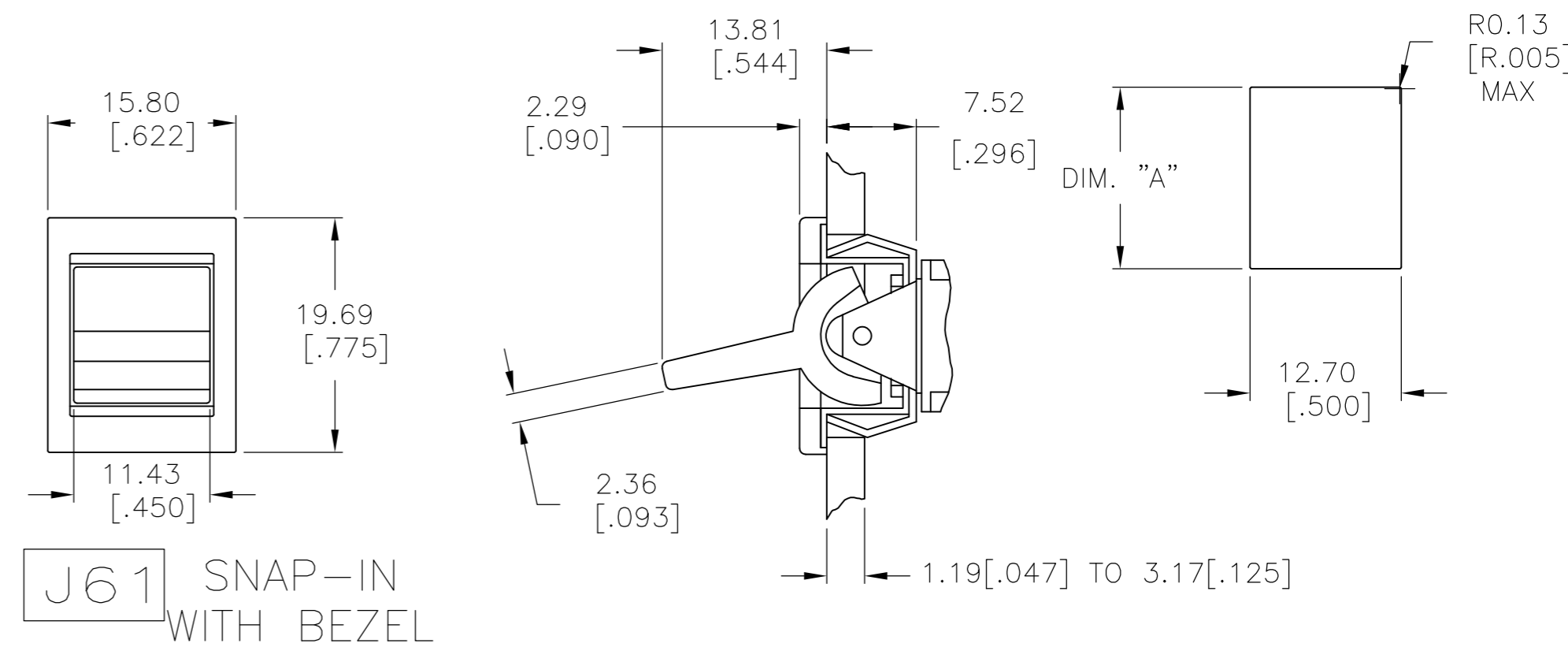
J2 SMALL



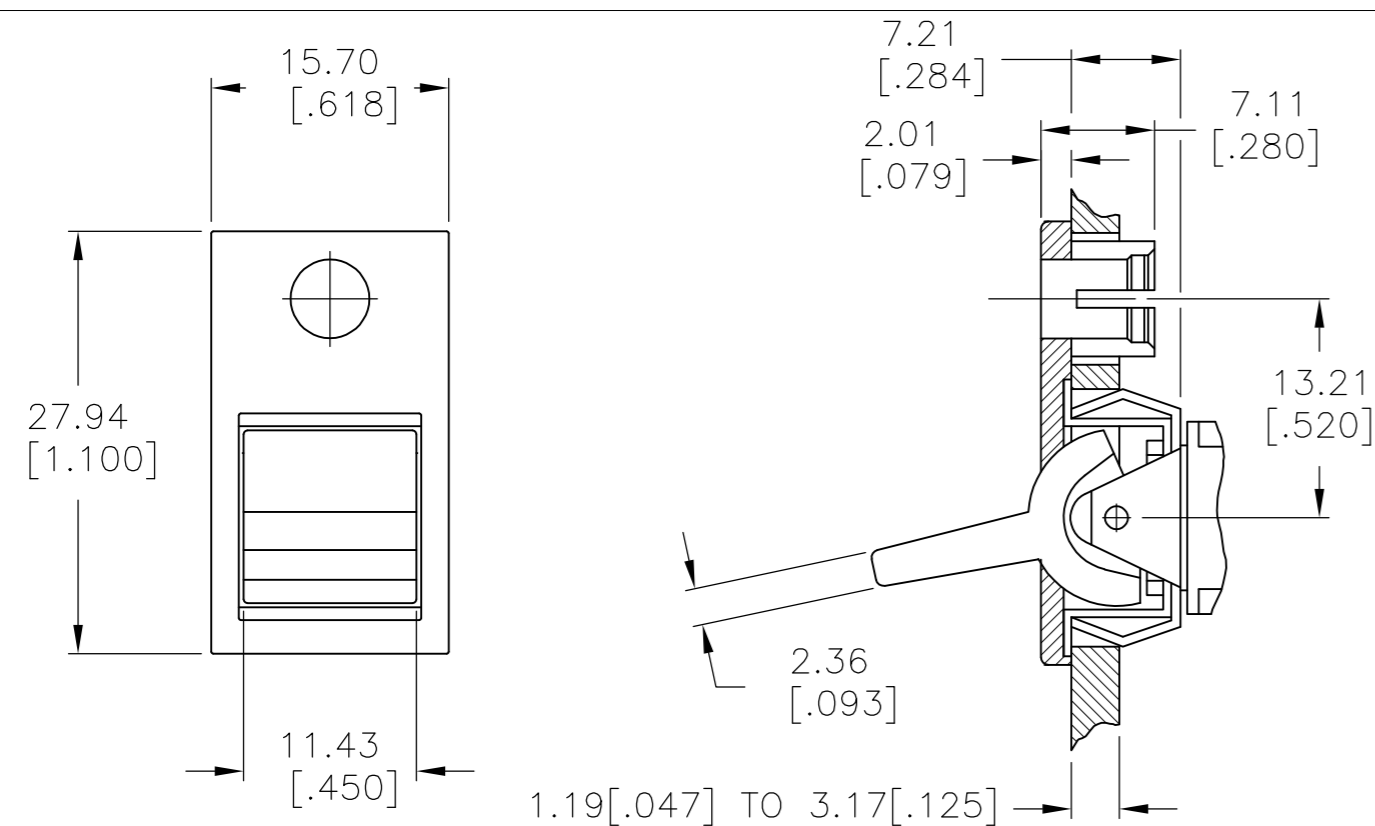
J4 LARGE



J60 SNAP-IN

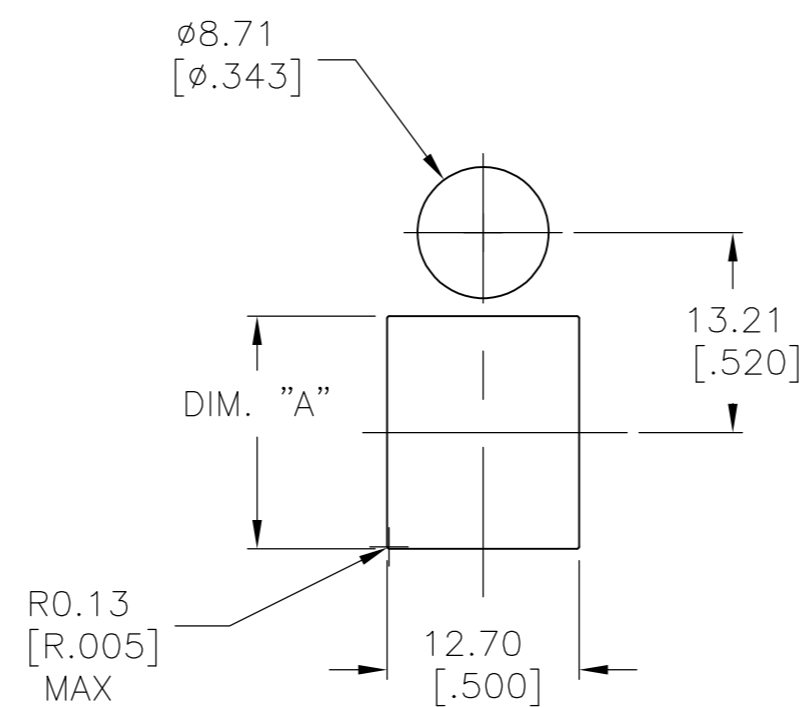


J61 SNAP-IN WITH BEZEL



J62 SNAP-IN WITH BEZEL/L.E.D.

NOTE: L.E.D. NOT SUPPLIED

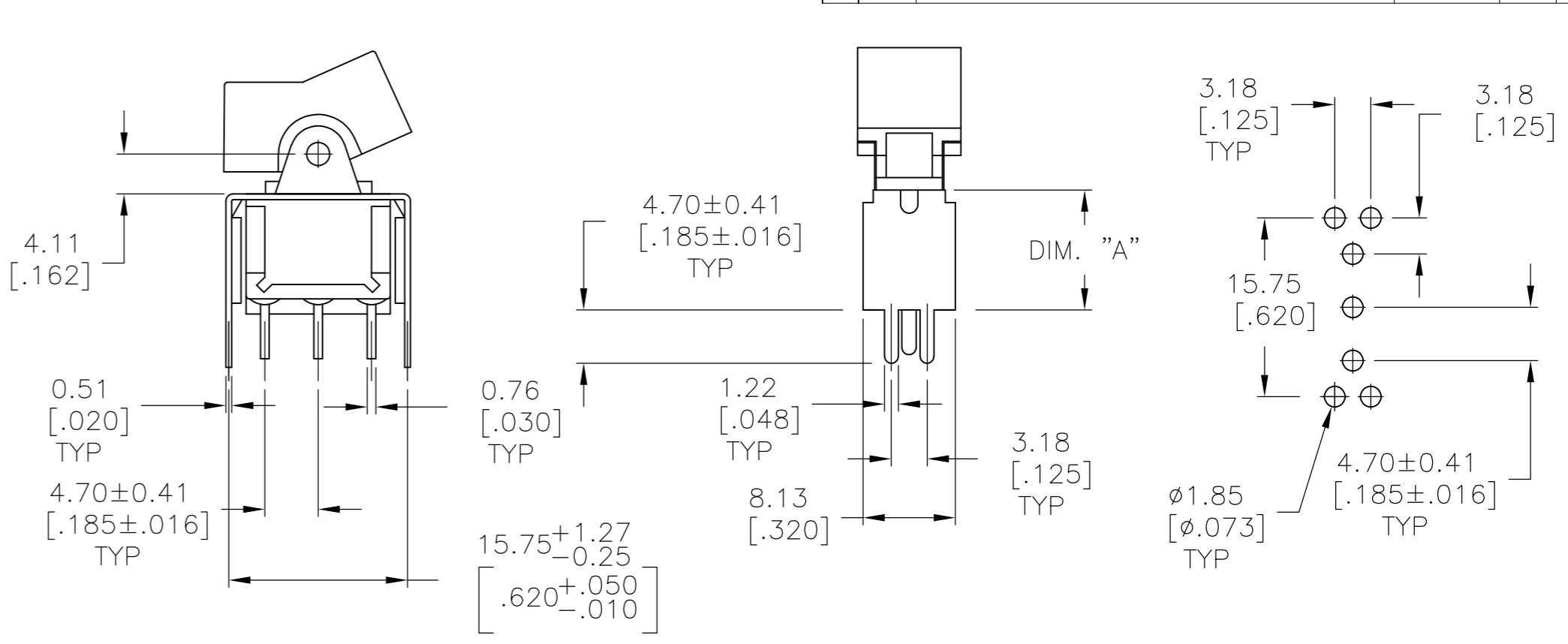
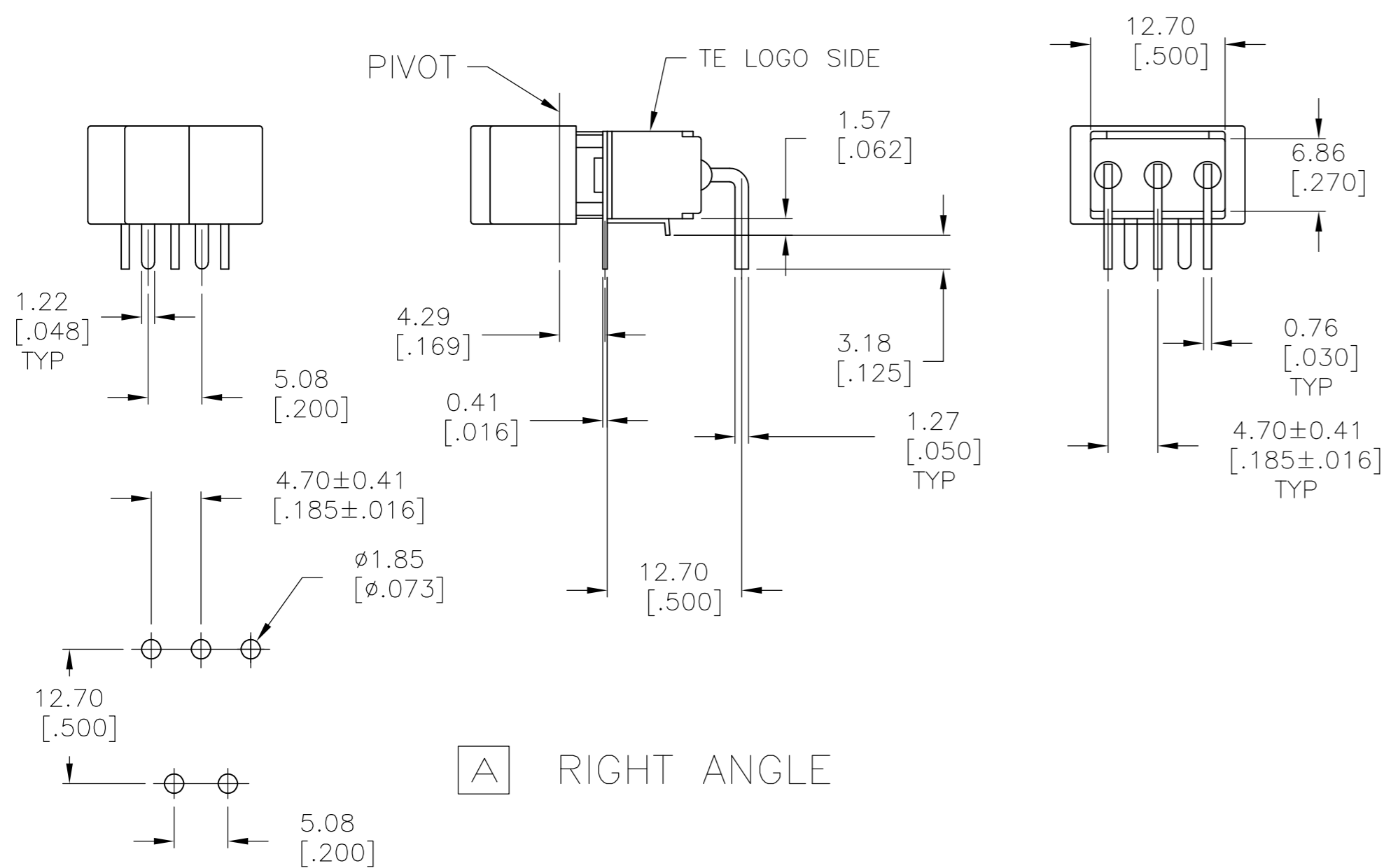


1.52 [.060] - 3.17 [.125]	15.75 [.620] - 15.87 [.625]
1.19 [.047] - 1.50 [.059]	15.72 [.619]
PANEL THICKNESS	DIM "A"

THIS DRAWING IS A CONTROLLED DOCUMENT.		DWN	M.BINNER	06JAN05
DIMENSIONS: mm [INCHES]		CHK	M.ZITTO	06JAN05
TOLERANCES UNLESS OTHERWISE SPECIFIED:		APVD	M.ZITTO	06JAN05
0 PLC	± -	PRODUCT SPEC	NAME	
1 PLC	± -	APPLICATION SPEC	GEMINI A SERIES ROCKER SWITCH SINGLE POLE	
2 PLC	± -	WEIGHT	SIZE	CAGE CODE
3 PLC	± 0.25 [0.01]	-	A2	00779
4 PLC	± -	CUSTOMER DRAWING	DRAWING NO	RESTRICTED TO
ANGLES	± 4°	SCALE	C=1571986	-
FINISH	-	SHEET	3 of 5	REV
		A8		

THIS DRAWING IS UNPUBLISHED. RELEASED FOR PUBLICATION  
 © COPYRIGHT - By - ALL RIGHTS RESERVED.

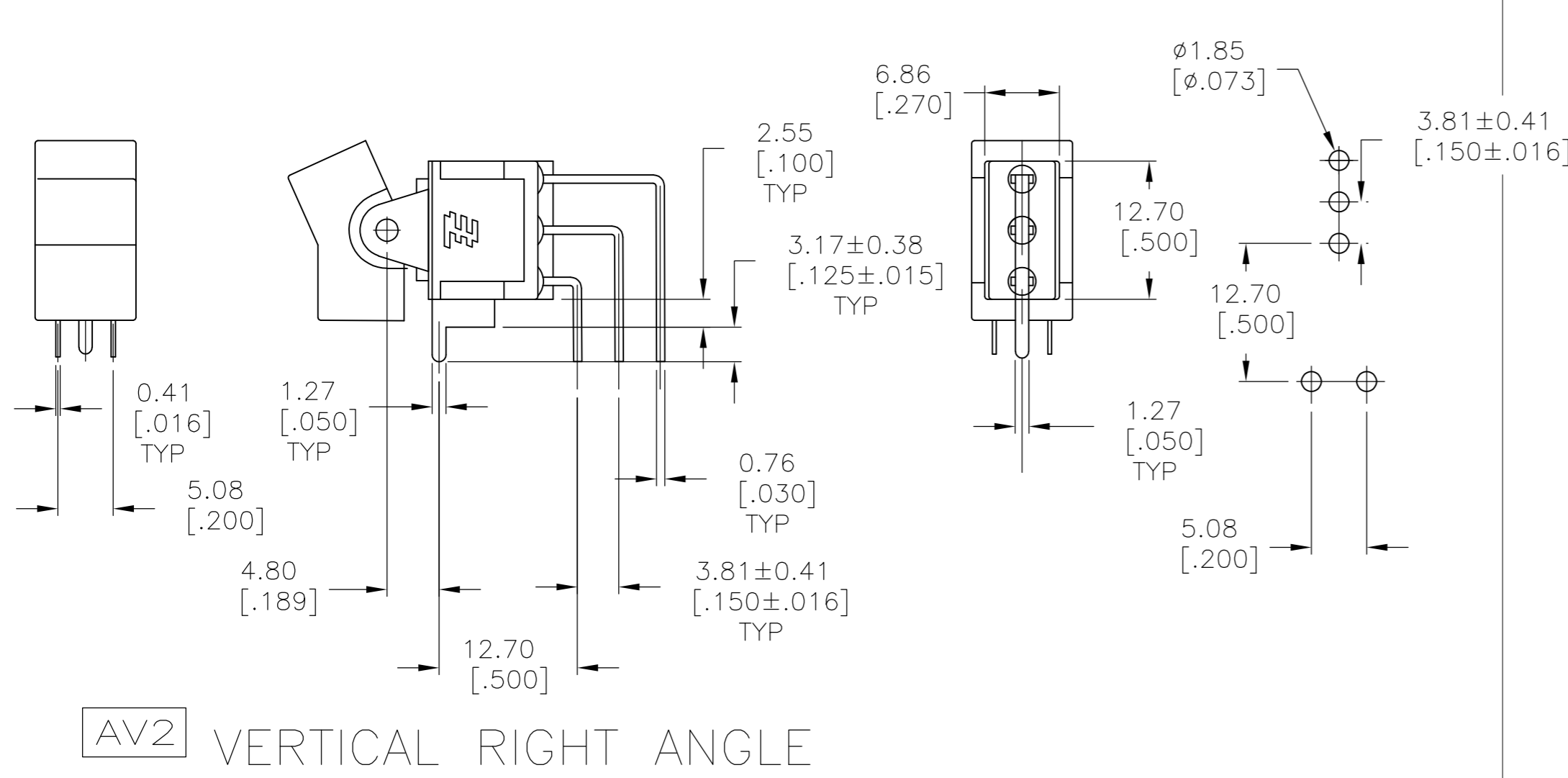
LOC	DIST	REVISIONS					
AD	00	P	LTR	DESCRIPTION	DATE	DWN	APVD
		-	-	SEE SHEET 1	-	-	-



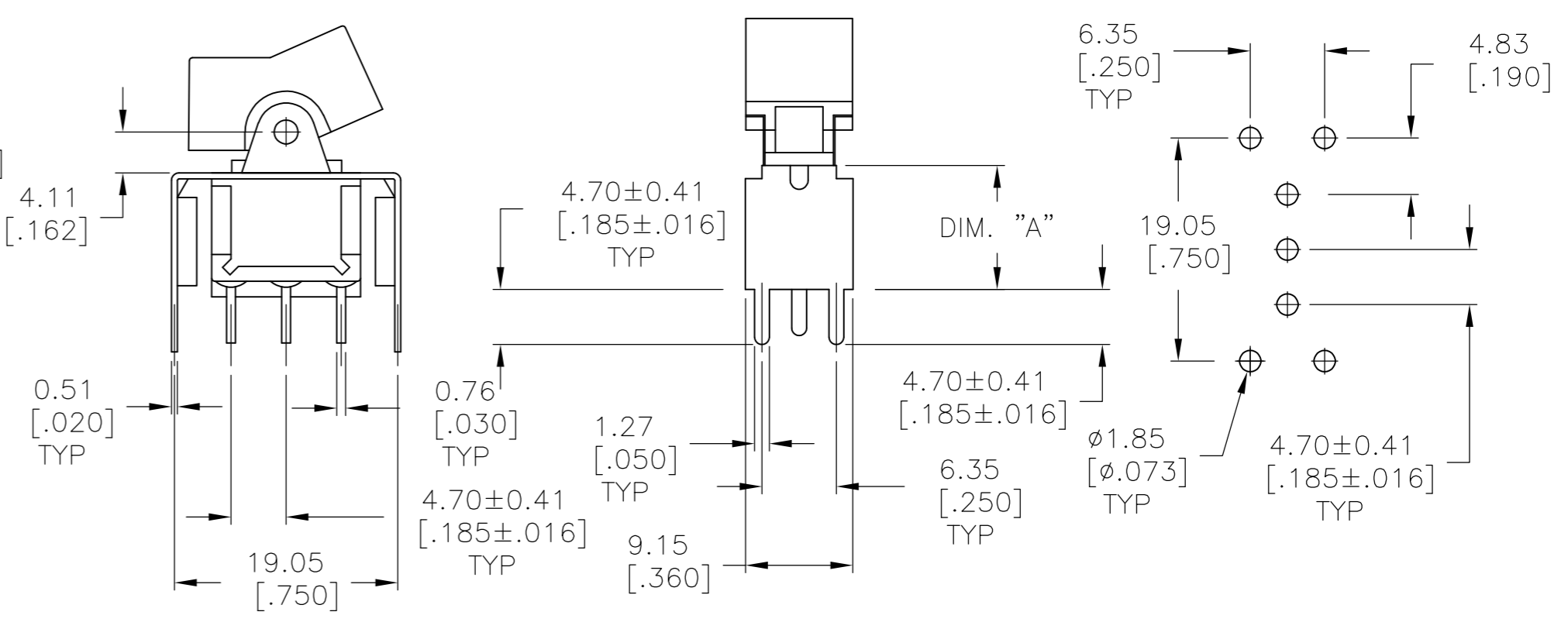
V3 V4

VERTICAL SUPPORT BRACKET

OPTION CODE	DIM "A"
V3	11.68 [.460]
V4	16.00 [.630]



AV2 VERTICAL RIGHT ANGLE



V6 V7

VERTICAL SUPPORT BRACKET

OPTION CODE	DIM "A"
V6	11.68 [.460]
V7	16.00 [.630]

THIS DRAWING IS A CONTROLLED DOCUMENT.		DWN M.BINNER 06JAN05				
DIMENSIONS: mm [INCHES]		CHK M.ZITTO 06JAN05				
TOLERANCES UNLESS OTHERWISE SPECIFIED:		APVD M.ZITTO 06JAN05	NAME GEMINI A SERIES ROCKER SWITCH SINGLE POLE			
0 PLC ± -		PRODUCT SPEC	SIZE A2	CAGE CODE 00779	DRAWING NO 1571986	RESTRICTED TO
1 PLC ± -		APPLICATION SPEC	SCALE 2:1		SHEET 4 OF 5	REV A8
2 PLC ± -		WEIGHT	CUSTOMER DRAWING			
3 PLC ± 0.25[0.01]						
4 PLC ± -						
ANGLES ± 4°						
MATERIAL						
FINISH						

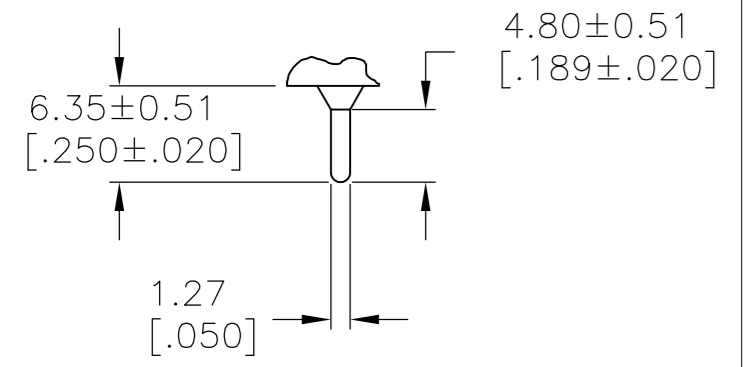
THIS DRAWING IS UNPUBLISHED. RELEASED FOR PUBLICATION  
 © COPYRIGHT - By - ALL RIGHTS RESERVED.

LOC	DIST	REVISIONS					
AD	00	P	LTR	DESCRIPTION	DATE	DWN	APVD
		-		SEE SHEET 1	-	-	-

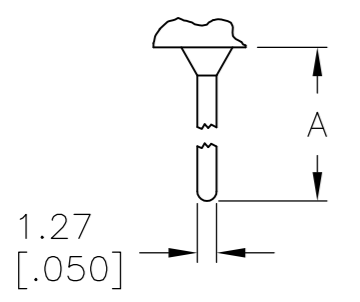
### MATERIALS CHART

COMPONENT NAME	BASE MATERIAL	FINISH
CASE	DAP, 30-40% GF, RED, UL94 V-0, COSMIC D72/6120F	
FRAME	304 STAINLESS STEEL	
B TERMINALS & CONTACTS	C194 COPPER	GOLD OVER NICKEL
G TERMINALS & CONTACTS	C194 COPPER	GOLD OVER SILVER
Q TERMINALS & CONTACTS	C194 COPPER	SILVER
ACTUATOR	PHENOLIC, BLACK, UL94 V-1	
ROCKER CAP	NYLON, BLACK, UL94 V-1, NYTEX MG-2012N	
BUSHING & ACTUATOR LEVER	ZINC ALLOY K2	.000100-.000150 NICKEL
SPRING	MUSIC WIRE	
SUPPORT BRACKET	C2680H BRASS	TIN
PIVOT PIN	STEEL	NICKEL
TERMINAL SEAL	EPOXY, UL94 V-1, BOOM HOUSE S-9001A	

A105J1AV2Q004	5-1571986-0
A105J1AQ004	4-1571986-9
NOT ASSIGNED	4-1571986-8
NOT ASSIGNED	4-1571986-7
A103J61ZQ0004	4-1571986-6
A103J51ZQ0004	4-1571986-5
A103J3ZQ004	4-1571986-4
A103J2ZQ004	4-1571986-3
A103J2CB004	4-1571986-2
A103J1ZQ004	4-1571986-1
A103J1V3Q004	4-1571986-0
A103J1AV2Q004	3-1571986-9
A103J1AV2B004	3-1571986-8
NOT ASSIGNED	3-1571986-7
A101J61ZQ0004	3-1571986-6
A101J51ZQ2004	3-1571986-5
A101J51ZQ0004	3-1571986-4
A101J51ZB0004	3-1571986-3
NOT ASSIGNED	3-1571986-2
A101J51Z3Q0004	3-1571986-1
A101J51Z3G0004	3-1571986-0
A101J51CB0004	2-1571986-9
A101J50ZQ004	2-1571986-8
A101J50V3Q204	2-1571986-7
A101J50V3Q004	2-1571986-6
A101J50AV2Q004	2-1571986-5
A101J4ZQ804	2-1571986-4
A101J4ZQ004	2-1571986-3
A101J3ZQ004	2-1571986-2
A101J3V3Q204	2-1571986-1
A101J2ZQ004	2-1571986-0
A101J2ZB904	1-1571986-9
A101J2AV2Q004	1-1571986-8
A101J1ZQ004	1-1571986-7
A101J1ZB004	1-1571986-6
A101J1V3Q004	1-1571986-5
A101J1V3B004	1-1571986-4
A101J1CQ004	1-1571986-3
A101J1CG004	1-1571986-2
A101J1AV2Q004	1-1571986-1
A101J1AV2B004	1-1571986-0
A101J1AQ204	1571986-9
A101J1AQ004	1571986-8
A101J1AB004	1571986-7
NOT ASSIGNED	1571986-6
NOT ASSIGNED	1571986-5
NOT ASSIGNED	1571986-4
NOT ASSIGNED	1571986-3
NOT ASSIGNED	1571986-2
A101J1AB004	1571986-1

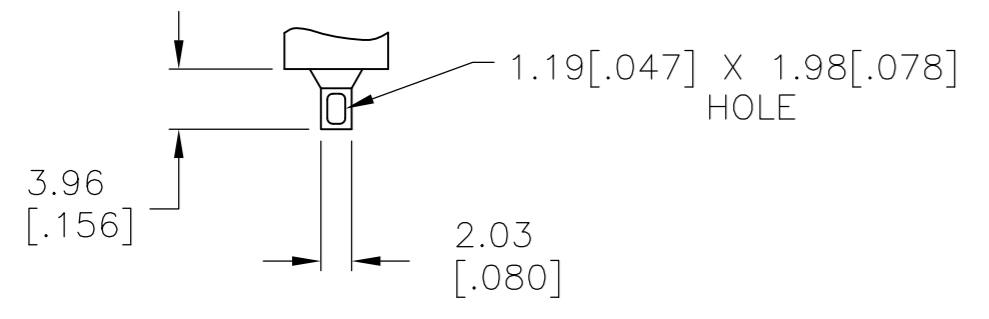


.030 THK.  
 PRINTED CIRCUIT

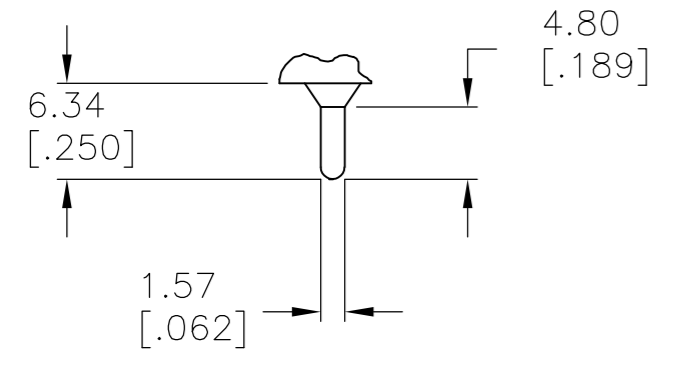


OPTION	DIM A
W	18.69 [.736]
W4	26.97 [1.062]

W W4 WIRE WRAP



WIRE LUG



QUICK CONNECT

A101J1AV2Q004AM9	7-1571986-4
A101J1AV2Q004AM8	7-1571986-3
A101J1AV2Q004AM	7-1571986-2
A108J61ZQ0004	7-1571986-0
A108J51ZQ0004	6-1571986-9
A108J1ZQ004	6-1571986-8
A108J1V3Q004	6-1571986-7
A107J61ZQ0004	6-1571986-6
A107J51ZQ0004	6-1571986-5
A105J61ZQ0004	6-1571986-4
A105J61ZG0004	6-1571986-3
A105J52ZQ2004	6-1571986-2
A105J51ZQ0004	6-1571986-1
A105J4ZQ004	6-1571986-0
A105J3ZQ004	5-1571986-9
A105J3CQ2004	5-1571986-8
A105J3CQ004	5-1571986-7
A105J2ZQ004	5-1571986-6
A105J2AV2Q004	5-1571986-5
A105J2AQ004	5-1571986-4
A105J1ZQ004	5-1571986-3
A105J1V3B004	5-1571986-2
A105J1CQ004	5-1571986-1
ALCO P/N	P/N

7	PRELIMINARY	ALCO P/N	P/N
---	-------------	----------	-----

THIS DRAWING IS A CONTROLLED DOCUMENT.		DWN M.BINNER 06JAN05	TE Connectivity	
DIMENSIONS: mm [INCHES]		CHK M.ZITTO 06JAN05		
TOLERANCES UNLESS OTHERWISE SPECIFIED:		APVD M.ZITTO 06JAN05	NAME GEMINI A SERIES ROCKER SWITCH SINGLE POLE	
0 PLC ± -		PRODUCT SPEC	SIZE A2	
1 PLC ± -		APPLICATION SPEC	CAGE CODE 00779	
2 PLC ± -		WEIGHT	DRAWING NO 1571986	
3 PLC ± 0.25[0.01]		RESTRICTED TO	SCALE 2:1	
4 PLC ± -			SHEET 5 of 5	
ANGLES ± 4°			REV A8	
FINISH		CUSTOMER DRAWING		