



Chipsmall Limited consists of a professional team with an average of over 10 year of expertise in the distribution of electronic components. Based in Hongkong, we have already established firm and mutual-benefit business relationships with customers from,Europe,America and south Asia,supplying obsolete and hard-to-find components to meet their specific needs.

With the principle of “Quality Parts,Customers Priority,Honest Operation,and Considerate Service”,our business mainly focus on the distribution of electronic components. Line cards we deal with include Microchip,ALPS,ROHM,Xilinx,Pulse,ON,Everlight and Freescale. Main products comprise IC,Modules,Potentiometer,IC Socket,Relay,Connector.Our parts cover such applications as commercial,industrial, and automotives areas.

We are looking forward to setting up business relationship with you and hope to provide you with the best service and solution. Let us make a better world for our industry!



## Contact us

Tel: +86-755-8981 8866 Fax: +86-755-8427 6832

Email & Skype: info@chipsmall.com Web: www.chipsmall.com

Address: A1208, Overseas Decoration Building, #122 Zhenhua RD., Futian, Shenzhen, China

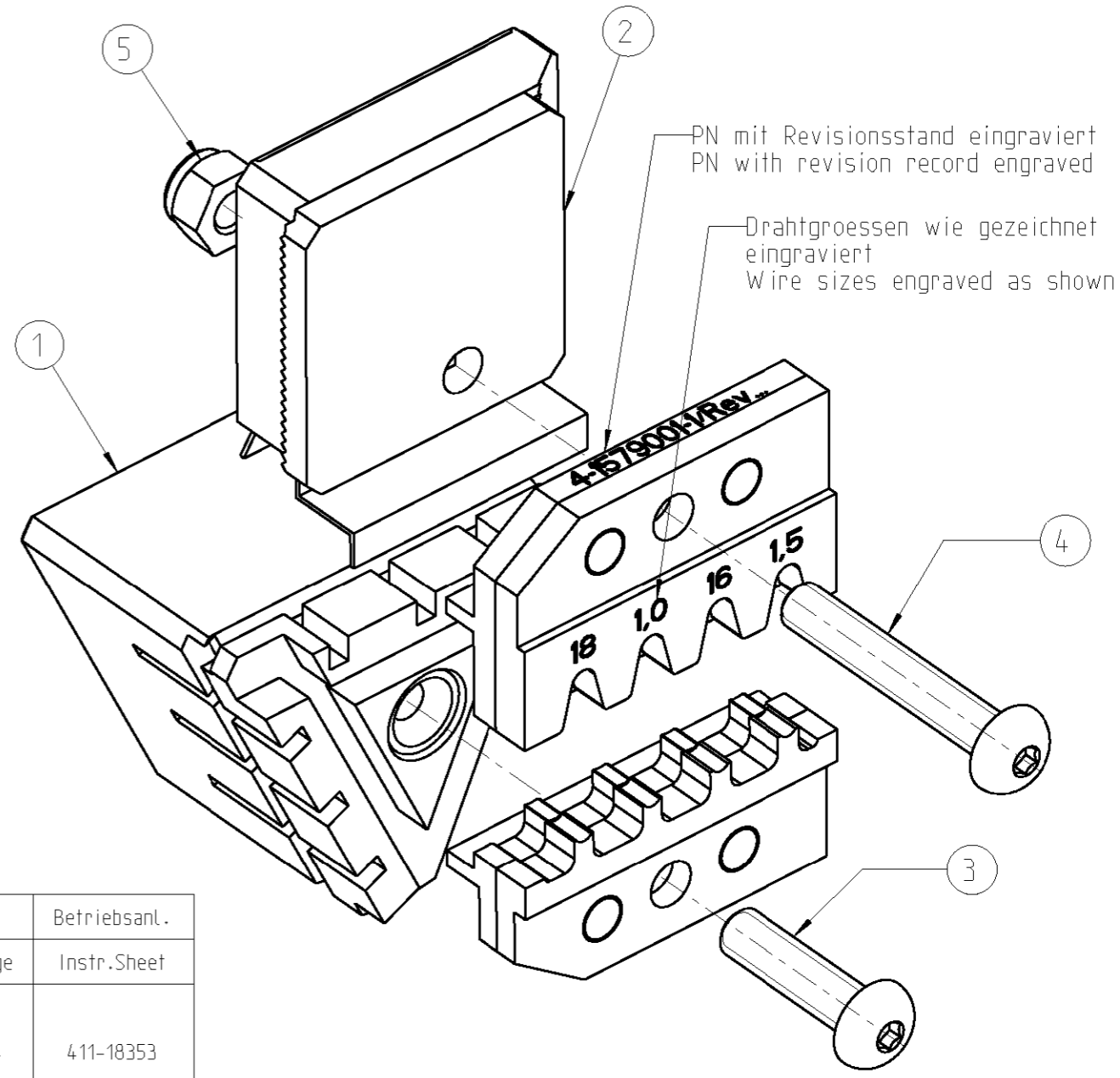


THIS DRAWING IS UNPUBLISHED. RELEASED FOR PUBLICATION 2005  
 © COPYRIGHT 2005 BY TYCO ELECTRONICS CORPORATION. ALL RIGHTS RESERVED.

LOC	DIST	REVISIONS			
P	LTR	DESCRIPTION	DATE	DWN	APVD
A1	-				

Matrize in Kombination mit Ergocrimp Basishandzange PN 539635-1 verwenden  
 Use die in combination with Ergocrimp basis hand tool PN 539635-1

Matrize im Karton mit Bedienungsanleitung 411-18353 verpackt  
 Die packed in a cardboard with instruction sheet 411-18353



4-1579001-1	1	6-0744001-1	Instruction Sheet	Bedienungsanleitung	6
	1	0-0519024-2	Nut M4 DIN 985	Mutter M4 DIN 985	5
	1	1-0519151-3	Screw M4x25	Schraube M4x25	4
	1	1-0519151-1	Screw M4x16	Schraube M4x16	3
	1	0-1579003-7	Locator Assembly	Drahtanschlag	2
	1	0-1579003-6	Contact Locator	Kontaktpositionierer	1
	QTY Stck	PN	Description	Benennung	Pos.

Kontakt	DGB (mm <sup>2</sup> )	Drahtcrimp / Wire Crimp		Isolationscrimp/Insulationcrimp		Isol.Ø	Betriebsanl.
Contact	AWG	Hoehe/Height mm	Breite/Width mm	Hoehe/Height mm	Breite/Width mm	Ins.Range	Instr.Sheet
1418763 / 1452660	18	1.05 ±0.05	1.78	2.45 ±0.1	2.45 (2.55max.)	1.9-2.4	411-18353
	1.0	1.10 ±0.05		2.45 ±0.1			
	16	1.26 ±0.05		2.55 ±0.1			
	1.5	1.31 ±0.05		2.55 ±0.1			

<small>THIS DRAWING IS A CONTROLLED DOCUMENT FOR TYCO ELECTRONICS CORPORATION                  IT IS SUBJECT TO CHANGE AND THE CONTROLLING ENGINEERING ORGANIZATION                  SHOULD BE CONTACTED FOR THE LATEST REVISION.</small>		DWN Ch.Witt 08MAY2006 CHK - APVD - PRODUCT SPEC - APPLICATION SPEC - WEIGHT 200 g		<b>tyco</b> <b>Electronics</b> tyco Electronics AMP GmbH D - 64625 Bensheim	
DIMENSIONS: mm 		TOLERANCES UNLESS OTHERWISE SPECIFIED: 0 PLC ± 1 PLC ± 2 PLC ± 3 PLC ± 4 PLC ± ANGLES ±1°		NAME ERGOCRIMP-DIE SET MCP1.2 LL Ergocrimp Matrize MCP1.2 LL	
MATERIAL - FINISH -		CUSTOMER DRAWING		SIZE A3 CAGE CODE 00779 DRAWING NO ©=4-1579001-1 RESTRICTED TO -	
SCALE 2:1				SHEET 1 OF 1 REV A	