



Chipsmall Limited consists of a professional team with an average of over 10 year of expertise in the distribution of electronic components. Based in Hongkong, we have already established firm and mutual-benefit business relationships with customers from,Europe,America and south Asia,supplying obsolete and hard-to-find components to meet their specific needs.

With the principle of “Quality Parts,Customers Priority,Honest Operation,and Considerate Service”,our business mainly focus on the distribution of electronic components. Line cards we deal with include Microchip,ALPS,ROHM,Xilinx,Pulse,ON,Everlight and Freescale. Main products comprise IC,Modules,Potentiometer,IC Socket,Relay,Connector.Our parts cover such applications as commercial,industrial, and automotives areas.

We are looking forward to setting up business relationship with you and hope to provide you with the best service and solution. Let us make a better world for our industry!



Contact us

Tel: +86-755-8981 8866 Fax: +86-755-8427 6832

Email & Skype: info@chipsmall.com Web: www.chipsmall.com

Address: A1208, Overseas Decoration Building, #122 Zhenhua RD., Futian, Shenzhen, China

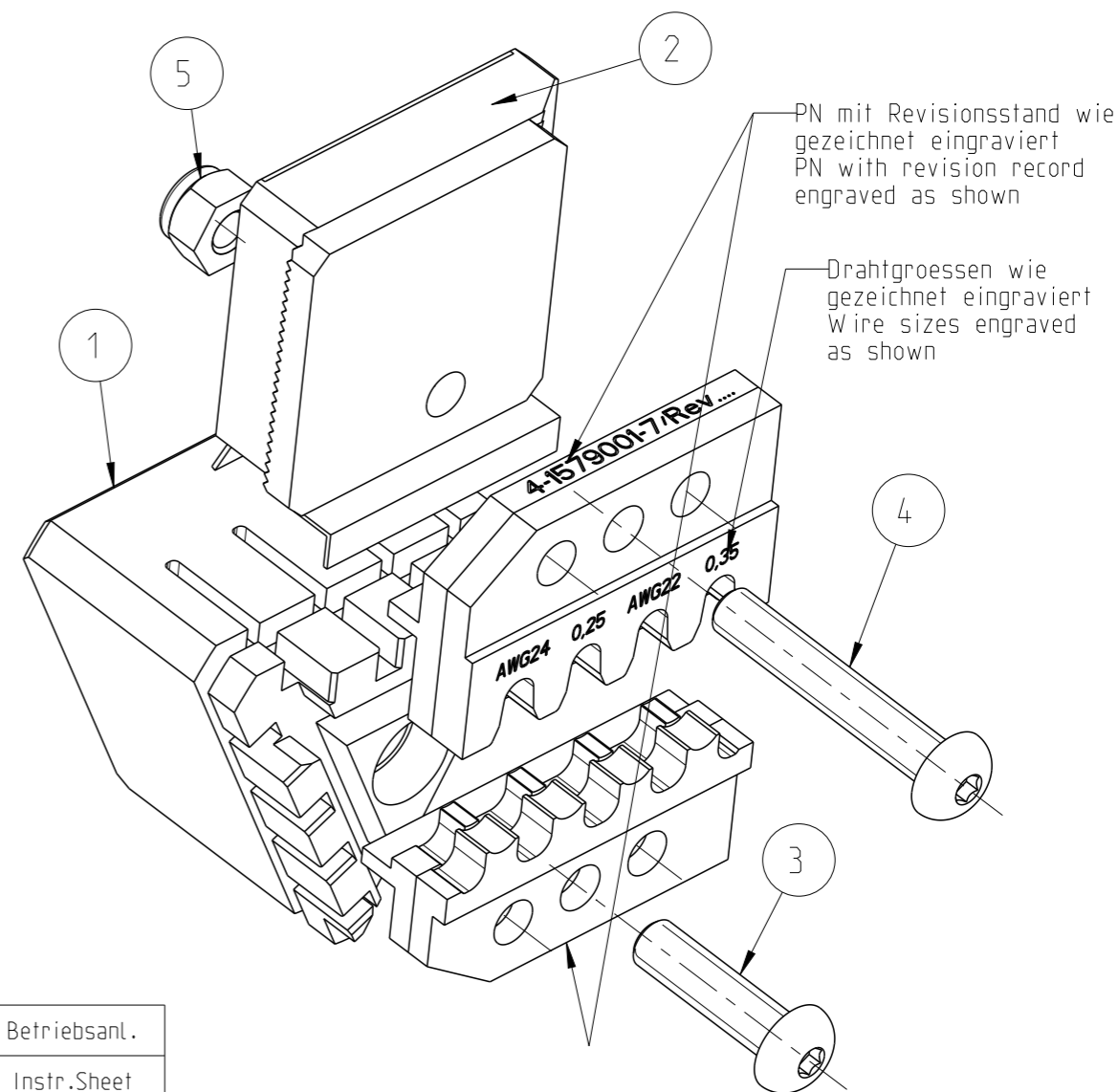


REVISIONS

P	LTR	DESCRIPTION	DATE	DWN	APVD
	B	ECR-15-003202	26FEB2015	GH	CW
	C	ECR-15-011350	29JUL2015	GH	GS

Matrize in Kombination mit Ergocrimp Basishandzange PN 539635-1 verwenden
 Use die in combination with Ergocrimp basis hand tool PN 539635-1

Matrize im Karton mit Bedienungsanleitung 411-18335 verpackt
 Die packed in a cardboard with instruction sheet 411-18335



4-1579001-7	1	4-0744011-1	Instruction Sheet	Bedienungsanleitung	6
	1	0-0519024-2	Nut M4 DIN 985	Mutter M4 DIN 985	5
	1	1-0519151-3	Screw M4x25	Schraube M4x25	4
	1	1-0519151-1	Screw M4x16	Schraube M4x16	3
	1	7-1579015-7	Locator Assembly	Drahtanschlag	2
	1	7-1579015-6	Contact Locator	Kontaktpositionierer	1
	QTY Stck	PN	Description	Benennung	Pos.

Kontakt	AWG (mm ²)	Drahtcrimp / Wire Crimp		Isolationscrimp/Insulationcrimp		Isol.Ø	Betriebsanl.
Contact	Wire Range	Hoehe/Height mm	Breite/Width mm	Hoehe/Height mm	Breite/Width mm	Ins.Range	Instr.Sheet
1452665 1718758	AWG24	0.75 ±0.03	1.27 F	3.15 max.	3.15 0	1.10-1.75	411-18335
	0.25	0.78 ±0.03		3.15 max.			
	AWG22	0.83 ±0.03		3.15 max.			
	0.35	0.84 ±0.03		3.15 max.			

THIS DRAWING IS A CONTROLLED DOCUMENT.

DIMENSIONS:
mm



MATERIAL

TOLERANCES UNLESS OTHERWISE SPECIFIED:

0 PLC	±
1 PLC	±
2 PLC	±
3 PLC	±
4 PLC	±
ANGLES	±1°
FINISH	-

DWN G.Herold 26FEB2015

CHK C.Witt 26FEB2015

APVD G.Stegmayer 26FEB2015

PRODUCT SPEC

APPLICATION SPEC

WEIGHT

CUSTOMER DRAWING



TE Connectivity

NAME ERGO DIE SET MCON1.2LLSWS/TAB SWS
Ergo Matrize MCON 1.2 EDS/Flach EDS

SIZE	CAGE CODE	DRAWING NO	RESTRICTED TO
A3	00779	4-1579001-7	-

SCALE	SHEET	OF	REV
-	1	1	C