



Chipsmall Limited consists of a professional team with an average of over 10 year of expertise in the distribution of electronic components. Based in Hongkong, we have already established firm and mutual-benefit business relationships with customers from,Europe,America and south Asia,supplying obsolete and hard-to-find components to meet their specific needs.

With the principle of "Quality Parts,Customers Priority,Honest Operation,and Considerate Service",our business mainly focus on the distribution of electronic components. Line cards we deal with include Microchip,ALPS,ROHM,Xilinx,Pulse,ON,Everlight and Freescale. Main products comprise IC,Modules,Potentiometer,IC Socket,Relay,Connector.Our parts cover such applications as commercial,industrial, and automotives areas.

We are looking forward to setting up business relationship with you and hope to provide you with the best service and solution. Let us make a better world for our industry!



## Contact us

Tel: +86-755-8981 8866 Fax: +86-755-8427 6832

Email & Skype: info@chipsmall.com Web: www.chipsmall.com

Address: A1208, Overseas Decoration Building, #122 Zhenhua RD., Futian, Shenzhen, China

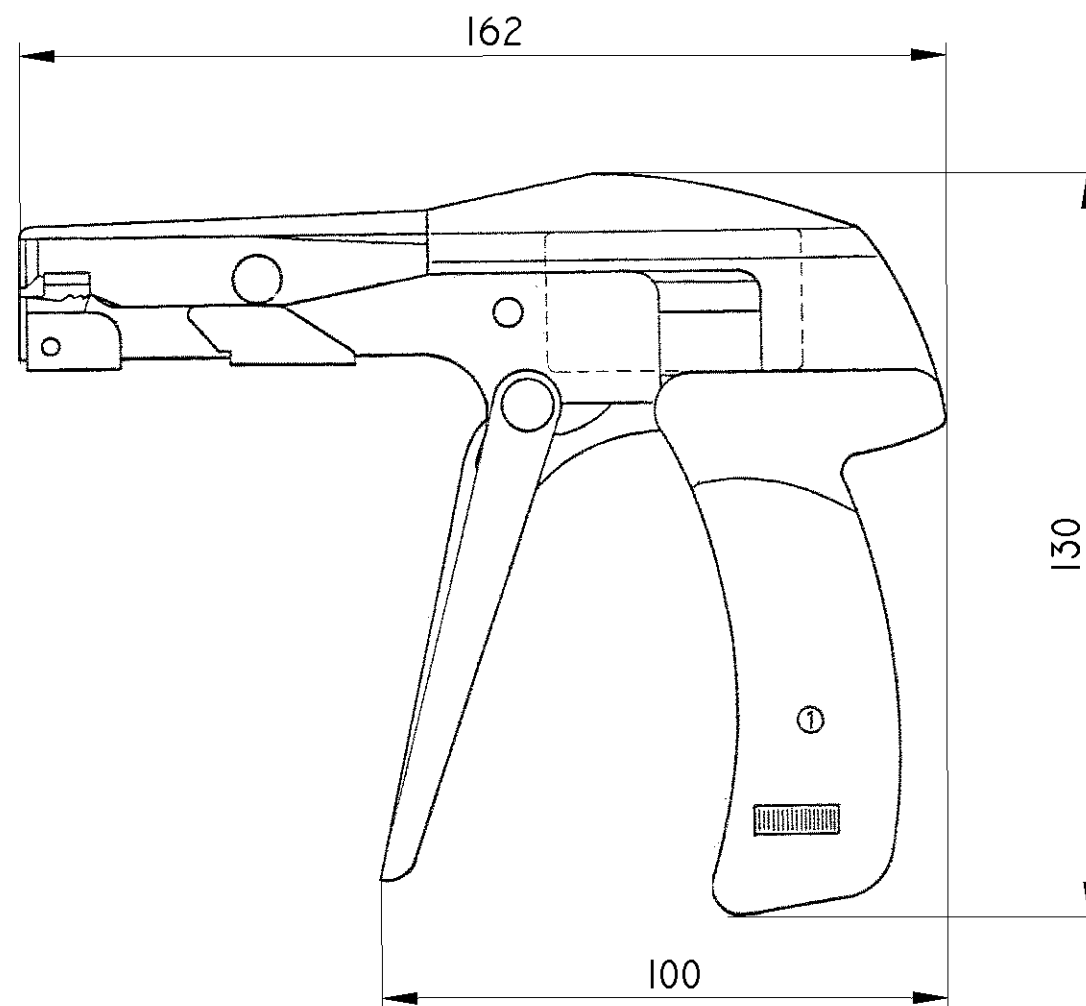
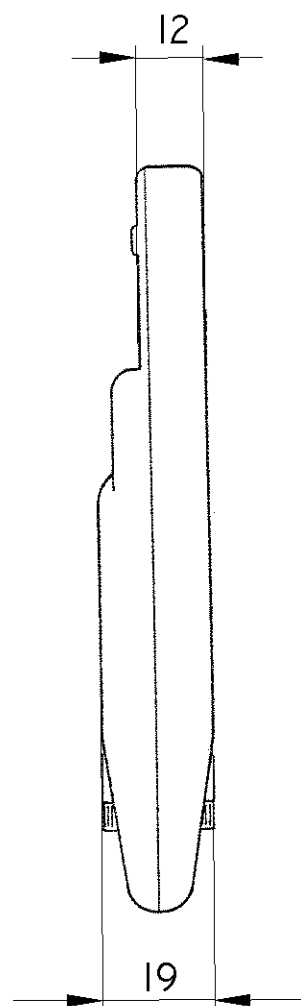
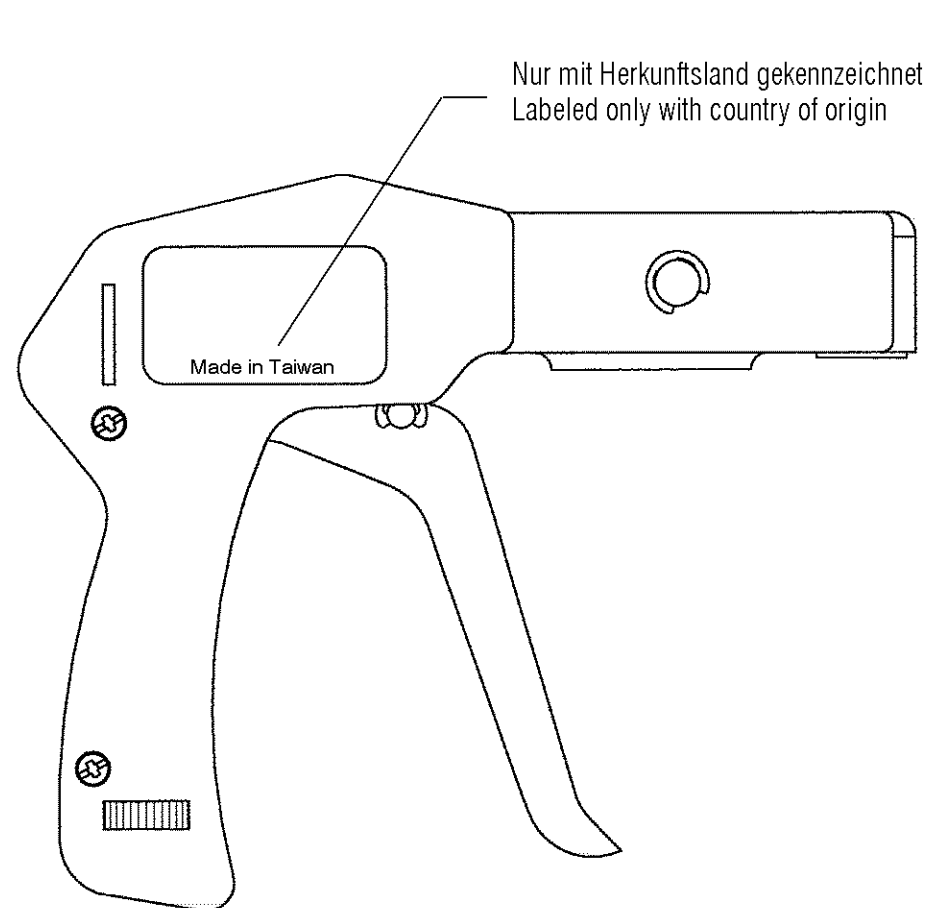


LOC	DIST	REVISIONS			
P	LTR	DESCRIPTION	DATE	DWN	APVD
A1	-				

# CABLE TIE INSTALLATION HAND TOOL HANDZANGE FÜR KABELBINDER

Für Kabelbinder von 2,2 bis 4,8 mm Breite und  
 Kabelbündeldurchmesser von 1,5 mm min. bis 101,6 mm max.  
 Handzange für Kabelbinder wie unten aufgelistet, verwendbar

For cable ties from 2,2 to 4,8 width and  
 cable bundle diameter 1,5 mm min. to 101,6 mm max.  
 Tool suitable to apply cable ties as listed below



Cable Ties Tyco Electronics PN
603230
603231
604771
608701
608687
603227
608687
604476
608688
608698
608692
608699
608702
608704
608789
608700
604751
608703
604774
608695
608696

Handzange im Karton (170 x 135 x 23 mm) mit Bedienungsanleitung 411-18477 verpackt  
 Hand tool packed in a cardboard (170 x 135 x 23 mm) with instruction sheet 411-18477

<small>THIS DRAWING IS A CONTROLLED DOCUMENT FOR TYCO ELECTRONICS CORPORATION          IT IS SUBJECT TO CHANGE AND THE CONTROLLING ENGINEERING ORGANIZATION          SHOULD BE CONTACTED FOR THE LATEST REVISION.</small>		DWN Ch.Witt 18OCT2007 CHK - APVD - PRODUCT SPEC - APPLICATION SPEC - WEIGHT 315 g		<b>Tyco Electronics</b> Tyco Electronics AMP GmbH 64625 Bensheim (Germany)	
DIMENSIONS: mm 		TOLERANCES UNLESS OTHERWISE SPECIFIED: 0 PLC ± 1 PLC ± 2 PLC ± 3 PLC ± 4 PLC ± ANGLES ±1° MATERIAL - FINISH -		NAME <b>CABLE TIE TOOL</b> Handzange fuer Kabelbinder	
		SIZE A3	CAGE CODE 00779	DRAWING NO C-4-1579002-9	RESTRICTED TO -
CUSTOMER DRAWING			SCALE 1:1	SHEET 1 OF 1	REV A