



Chipsmall Limited consists of a professional team with an average of over 10 year of expertise in the distribution of electronic components. Based in Hongkong, we have already established firm and mutual-benefit business relationships with customers from,Europe,America and south Asia,supplying obsolete and hard-to-find components to meet their specific needs.

With the principle of “Quality Parts,Customers Priority,Honest Operation,and Considerate Service”,our business mainly focus on the distribution of electronic components. Line cards we deal with include Microchip,ALPS,ROHM,Xilinx,Pulse,ON,Everlight and Freescale. Main products comprise IC,Modules,Potentiometer,IC Socket,Relay,Connector.Our parts cover such applications as commercial,industrial, and automotives areas.

We are looking forward to setting up business relationship with you and hope to provide you with the best service and solution. Let us make a better world for our industry!



## Contact us

Tel: +86-755-8981 8866 Fax: +86-755-8427 6832

Email & Skype: info@chipsmall.com Web: www.chipsmall.com

Address: A1208, Overseas Decoration Building, #122 Zhenhua RD., Futian, Shenzhen, China



THIS DRAWING IS A CONTROLLED DOCUMENT FOR AMP INCORPORATED. IT IS SUBJECT TO CHANGE AND THE CONTROLLING ENGINEERING ORGANIZATION SHOULD BE CONTACTED FOR THE LATEST REVISION.

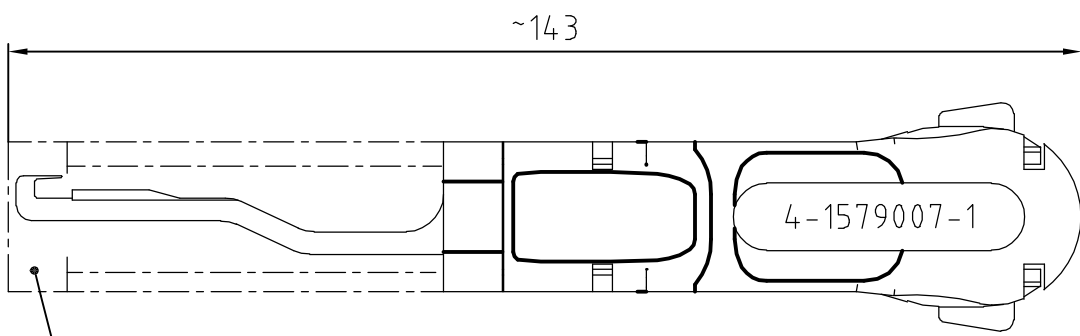
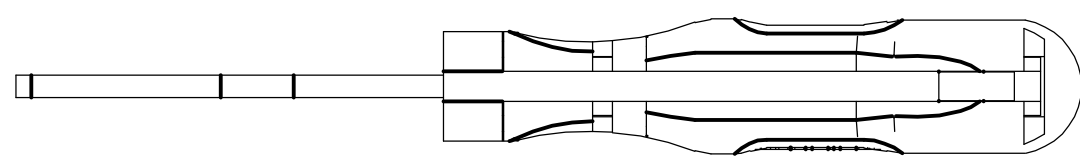
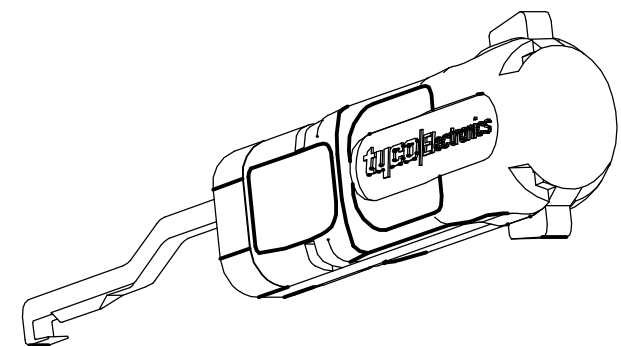
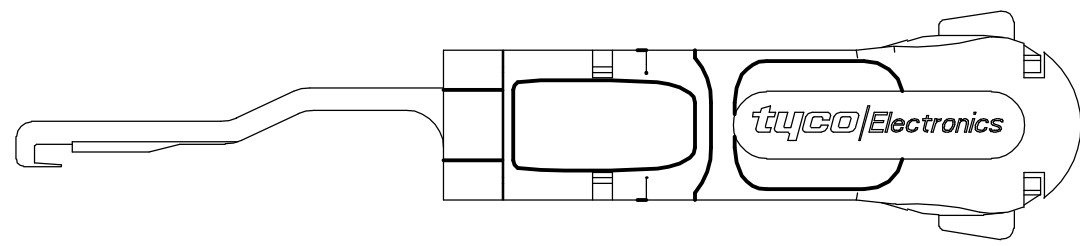
DIESES ZEICHNUNGSDOKUMENT WIRD DURCH AMP INCORPORATED KONTROLLIERT. ÄNDERUNGEN, DIE DEM TECHNISCHEN FORTSCHRITT DIENEN, SIND VORBEHALTEN. DEN JEWEILS LETZTGESETZTEN ÄNDERUNGSSTAND ERFAHREN SIE AUF ANFRAGE.

THIS INFORMATION IS CONFIDENTIAL AND IS DISCLOSED TO YOU ON CONDITION THAT NO FURTHER DISCLOSURE IS MADE BY YOU TO OTHER THAN AMP PERSONNEL WITHOUT WRITTEN AUTHORIZATION FROM AMP INCORPORATED. B - 6865 LÄNGEN

DWG NO  
C-4-1579007-1

PASSMASS	ABMASS

PROJECT NO.: \_\_\_\_\_ USED ON \_\_\_\_\_



COVER SLIDE  
Schutzschieber

FREI-MASSTOLERANZEN NACH DIN 7168 (WERTE IN mm)  
1) ABWEICHEND VON DIN 7168 2) LÄNGE DES KÜRZEREN SCHENKELS

NENNMASS- BEREICH 1)	ÜBER	0,5	3	6	30	120	400
BIS	3	6	30	120	400	1000	
LÄNGEN- MASSE	FEIN	±0,05	±0,05	±0,1	±0,15	±0,2	±0,3
MASSE	MITTEL	±0,1	±0,1	±0,2	±0,3	±0,5	±0,8
RADIEN U. FASEN		±0,2	±0,5	±1	±2	±4	±4
WINKELABMASSE 1) 2)		±1°	±1°	±30'	±20'	±10'	±5'

GENERAL TOLERANCES ACC. TO DIN 7168 (VALUES IN mm)  
1) DEVIATING FROM DIN 7168 2) LENGTH OF SHORT ANGLE SIDE

LOC	AI	DIST	
TEIL IM BEREICH X... MIT PN, STRICH-NR. (-1 WIE GEZ.), REVISION-STAND UND LIEFERANTENSYMBOL GEKENNZEICHNET			
PART TO BE MARKED WITH PN, DASH NO. (-1 AS SHOWN), REV. STATUS AND VENDORS MARK IN AREA X...			
OBERFLÄCHENVERGLEICHSTABELLE			
DIN 3141 R3			BOHRG. DIN 9132
Ra in µm	6,3	1,6	12,5
DIN ISO 1302	√	√	√
ALLE UNBEMASSTE KANTEN 0.2x45° ENTGRATET REMOVE BURRS, BREAK SHARP EDGES 0.2x45°			
HOLE NOT SPEC.			

B	ECR-07-004078	21.02.2007	MD	LB	
A	EGC0-0332-04	22.12.2004	JZ	-	
P	LTR	REVISION RECORD	DATE	DWN	APVD

FINISH	DWN	20.10.2004
DIMENSIONS:	J. Zajicek	01.03.2007
mm	G. Stegmayer	01.03.2007
TOLERANCES UNLESS OTHERWISE SPECIFIED:	APVD	01.03.2007
n. ISO 8015	NAME EXTRACTION TOOL	
n. ISO 2768 - mH - E	ENTRIEGELUNGSWERKZEUG	
n. DIN 16901 - 140	SCALE 1:1	
0 PLC ±	SIZE A3	DRAWING NO C-4-1579007-1
1 PLC ±	SHEET 1 OF 1	
2 PLC ±	REV B	
3 PLC ±		
4 PLC ±		
ANGLES ±		
SURFACE TEXTURE		

APPLICATION / Anwendung: TAB 3.3mm

Gewicht / Weight 0,000kg

CHK	20.10.2004	MATERIAL	1.2083	HEAT TREAT	56±2 HRC
J. Zajicek		X40Cr14			
G. Stegmayer		tyco Electronics AMP GmbH D - 64625 Bensheim			
G. Stegmayer					