



Chipsmall Limited consists of a professional team with an average of over 10 year of expertise in the distribution of electronic components. Based in Hongkong, we have already established firm and mutual-benefit business relationships with customers from,Europe,America and south Asia,supplying obsolete and hard-to-find components to meet their specific needs.

With the principle of “Quality Parts,Customers Priority,Honest Operation,and Considerate Service”,our business mainly focus on the distribution of electronic components. Line cards we deal with include Microchip,ALPS,ROHM,Xilinx,Pulse,ON,Everlight and Freescale. Main products comprise IC,Modules,Potentiometer,IC Socket,Relay,Connector.Our parts cover such applications as commercial,industrial, and automotives areas.

We are looking forward to setting up business relationship with you and hope to provide you with the best service and solution. Let us make a better world for our industry!



Contact us

Tel: +86-755-8981 8866 Fax: +86-755-8427 6832

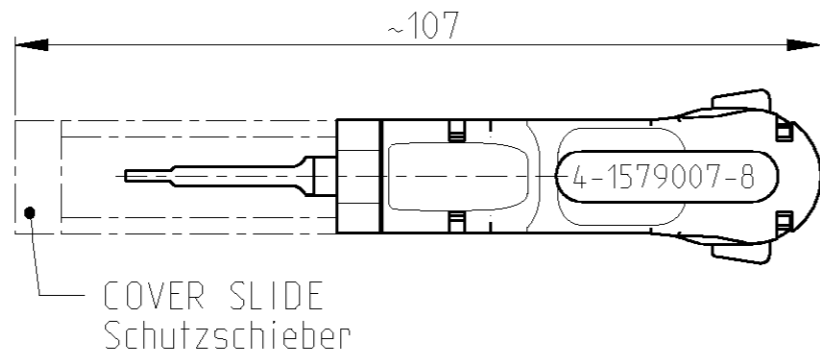
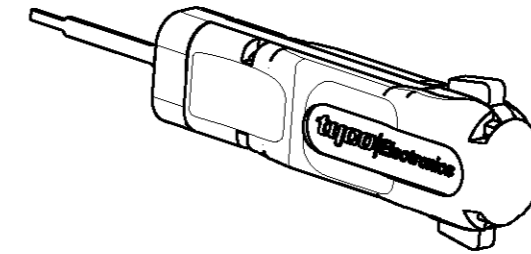
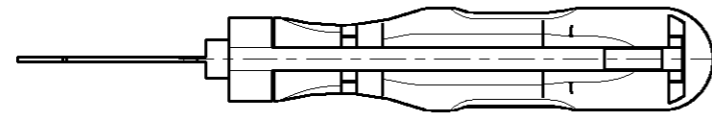
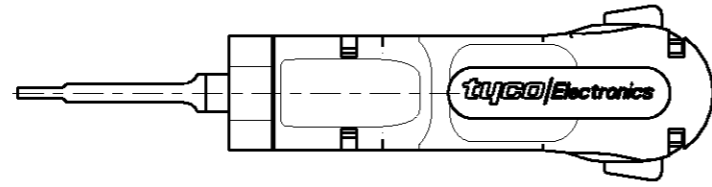
Email & Skype: info@chipsmall.com Web: www.chipsmall.com

Address: A1208, Overseas Decoration Building, #122 Zhenhua RD., Futian, Shenzhen, China



THIS DRAWING IS UNPUBLISHED. RELEASED FOR PUBLICATION 2003
 © COPYRIGHT 2003 BY TYCO ELECTRONICS CORPORATION. ALL RIGHTS RESERVED.

LOC	DIST	REVISIONS					
		P	LTR	DESCRIPTION	DATE	DWN	APVD
A1	-		A	EGC0-0332-04	22DEC2004	ZA	-



FOR CONTACTS : MQS (Micro Quadlok System)

(REPLACEMENT FOR TOOL 726974-1)

<small>THIS DRAWING IS A CONTROLLED DOCUMENT FOR TYCO ELECTRONICS CORPORATION IT IS SUBJECT TO CHANGE AND THE CONTROLLING ENGINEERING ORGANIZATION SHOULD BE CONTACTED FOR THE LATEST REVISION.</small>		DWN	21OCT2004			tyco Electronics AMP GmbH		
DIMENSIONS:		CHK	-			D - 64625 Bensheim		
mm		APVD	-		NAME			
		PRODUCT SPEC	-		EXTRACTION TOOL			
TOLERANCES UNLESS OTHERWISE SPECIFIED:		APPLICATION SPEC	-		Entriegelungswerkzeug			
0 PLC ±		WEIGHT	-		SIZE	CAGE CODE	DRAWING NO	RESTRICTED TO
1 PLC ±		CUSTOMER DRAWING		SCALE	1:1	SHEET	1 OF 1	REV
2 PLC ±				A3		00779	©4-1579007-8	A
3 PLC ±								
4 PLC ±								
ANGLES ±°								
MATERIAL								
FINISH								