



Chipsmall Limited consists of a professional team with an average of over 10 year of expertise in the distribution of electronic components. Based in Hongkong, we have already established firm and mutual-benefit business relationships with customers from,Europe,America and south Asia,supplying obsolete and hard-to-find components to meet their specific needs.

With the principle of “Quality Parts,Customers Priority,Honest Operation,and Considerate Service”,our business mainly focus on the distribution of electronic components. Line cards we deal with include Microchip,ALPS,ROHM,Xilinx,Pulse,ON,Everlight and Freescale. Main products comprise IC,Modules,Potentiometer,IC Socket,Relay,Connector.Our parts cover such applications as commercial,industrial, and automotives areas.

We are looking forward to setting up business relationship with you and hope to provide you with the best service and solution. Let us make a better world for our industry!



Contact us

Tel: +86-755-8981 8866 Fax: +86-755-8427 6832

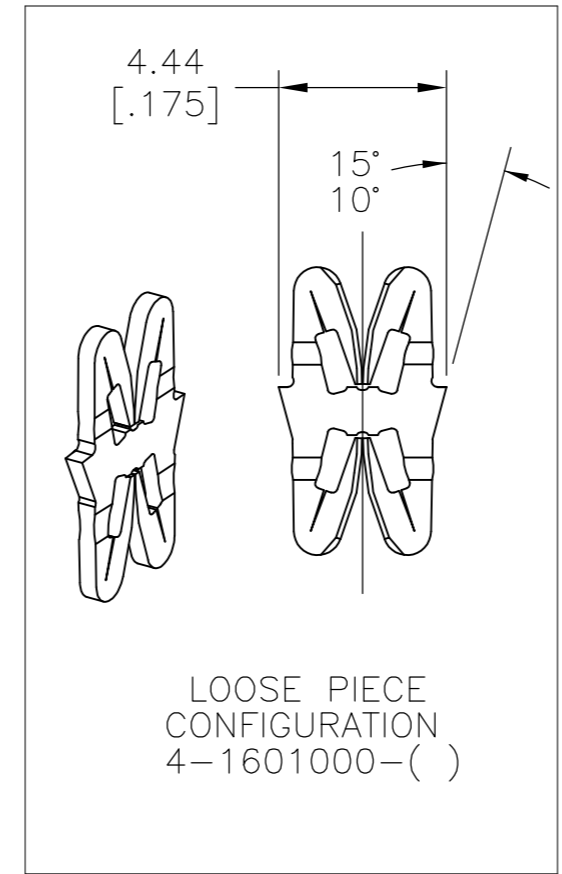
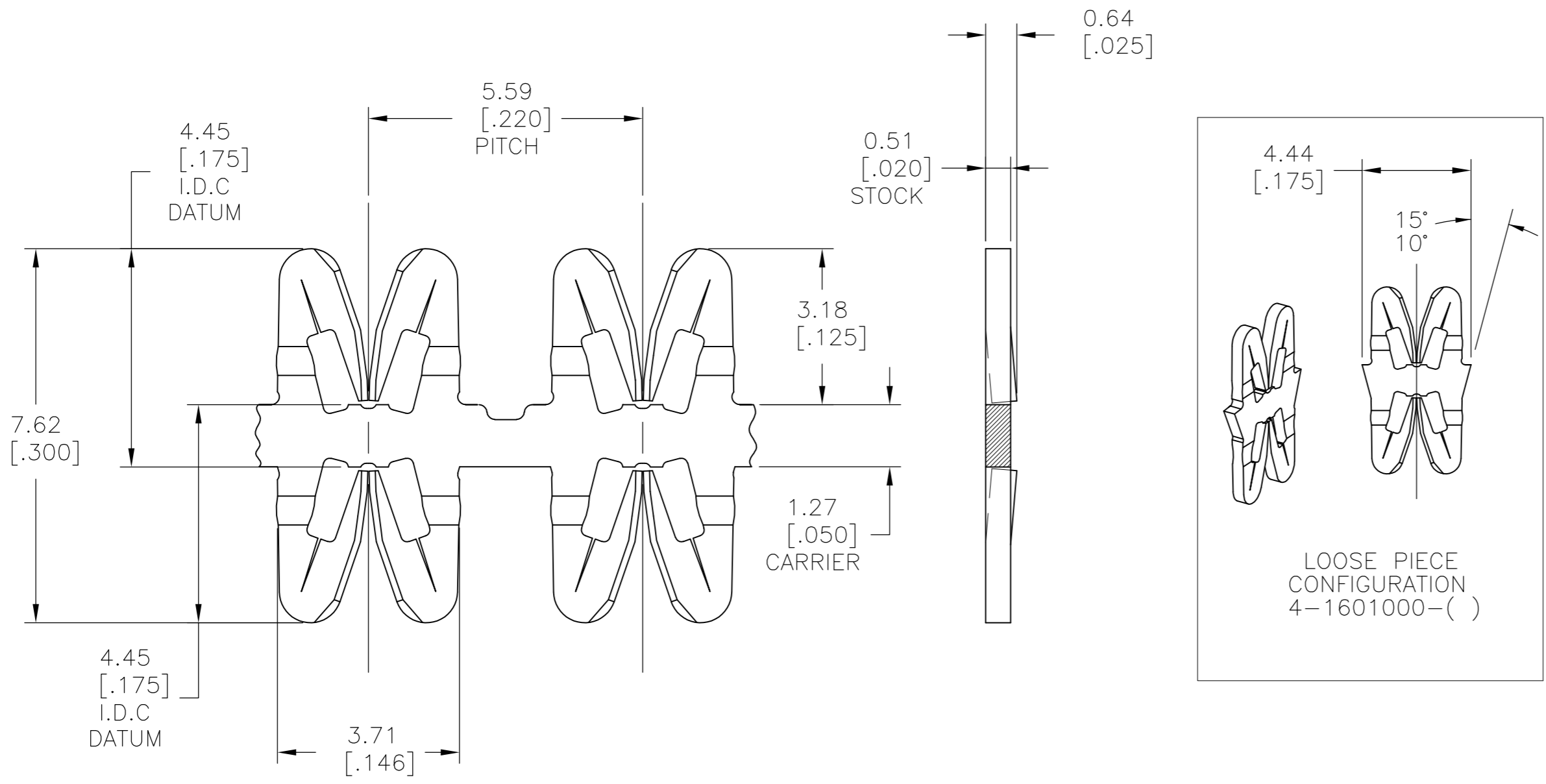
Email & Skype: info@chipsmall.com Web: www.chipsmall.com

Address: A1208, Overseas Decoration Building, #122 Zhenhua RD., Futian, Shenzhen, China



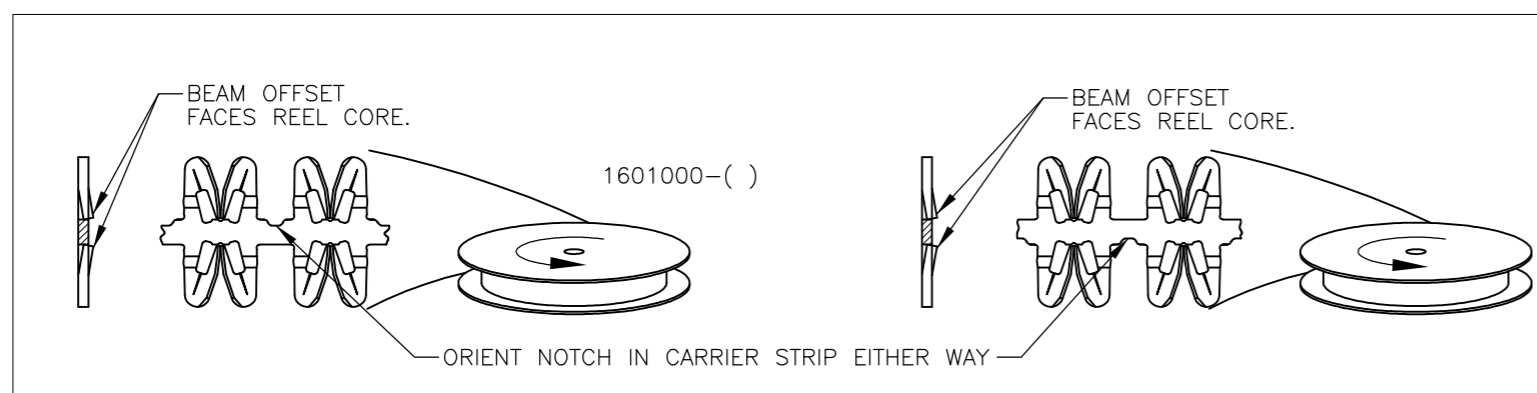
THIS DRAWING IS UNPUBLISHED. RELEASED FOR PUBLICATION
 © COPYRIGHT BY TYCO ELECTRONICS CORPORATION. ALL INTERNATIONAL RIGHTS RESERVED.

LOC		DIST		REVISIONS			
P	LTR	DESCRIPTION		DATE	DWN	APVD	
AF	50	C3	REVISED PER ECR-09-008562	29APR09	HMR	GJ	



- 1 SPECIFICATIONS:
 MAGNET WIRE #18 - #34 AWG,
 1.02(.040) - 0.16(.006) DIA COPPER.
 LEAD WIRE #18 - #22 AWG,
 0.8(.031)mm² - 0.3(.011)mm² STRANDED,
 BONDED OR SOLID WITH PVC INSULATION
 MAX INSULATION O.D. 2.9(.115)
 NO STRIPPING REQUIRED. OTHER INSULATION TYPES.
 MAY BE ACCOMMODATED, CONSULT
 TYCO ELECTRONICS FOR APPROVAL.
- 2 POCKET RECOMMENDATION: #1601421
 ALTERANTE POCKET : #1601462
- 3 TERMINAL APPLICATION TO COMPLY WITH
 TYCO ELECTRONICS SPECIFICATION 114-13166
 FIGURE 3 OR 4
- 4 REDUCED QUANTITY PACKAGING
- 5 PRELIMINARY - NOT FOR PRODUCTION.

TERMINAL TO UNWIND FROM REELS BY EITHER METHOD SHOWN:



OBSOLETE	UNPLATED	031-501-000	9-1601000-1
OBSOLETE	UNPLATED	231-001-000	6-1601000-1
	POST NICKEL PLATED	-	5 4-1601000-3
	POST TIN PLATE OVER COPPER UNDERPLATE	031-001-001	4-1601000-2
	UNPLATED	031-001-000	4-1601000-1
	POST TIN PLATE OVER COPPER UNDERPLATE	-	4 3-1601000-2
	POST TIN PLATE OVER COPPER UNDERPLATE	131-001-001	1601000-2
	UNPLATED	131-001-000	1601000-1
FINISH		REFERENCE PART NUMBER	PART NUMBER
THIS DRAWING IS A CONTROLLED DOCUMENT.		DWN J.WELLER 11JAN2002 CHK M.FEHER 11JAN2002 APVD K.RANDOLPH 11JAN2002	Tyco Electronics Corporation Harrisburg, PA 17105-3608
DIMENSIONS: mm [INCHES]	TOLERANCES UNLESS OTHERWISE SPECIFIED: 0 PLC ± - 1 PLC ± 0.25[.010] 2 PLC ± 0.13[.005] 3 PLC ± - 4 PLC ± - ANGLES ± 2°	PRODUCT SPEC 108-2085	NAME STANDARD RANGE WIRE TO WIRE SIAMEZE TERMINAL
MATERIAL BRASS, SPRING HARD	FINISH SEE TABLE	WEIGHT -	SIZE A2
CUSTOMER DRAWING		SCALE 10:1	SHEET 1 OF 1
		RESTRICTED TO -	REV C3