



Chipsmall Limited consists of a professional team with an average of over 10 year of expertise in the distribution of electronic components. Based in Hongkong, we have already established firm and mutual-benefit business relationships with customers from,Europe,America and south Asia,supplying obsolete and hard-to-find components to meet their specific needs.

With the principle of “Quality Parts,Customers Priority,Honest Operation,and Considerate Service”,our business mainly focus on the distribution of electronic components. Line cards we deal with include Microchip,ALPS,ROHM,Xilinx,Pulse,ON,Everlight and Freescale. Main products comprise IC,Modules,Potentiometer,IC Socket,Relay,Connector.Our parts cover such applications as commercial,industrial, and automotives areas.

We are looking forward to setting up business relationship with you and hope to provide you with the best service and solution. Let us make a better world for our industry!



Contact us

Tel: +86-755-8981 8866 Fax: +86-755-8427 6832

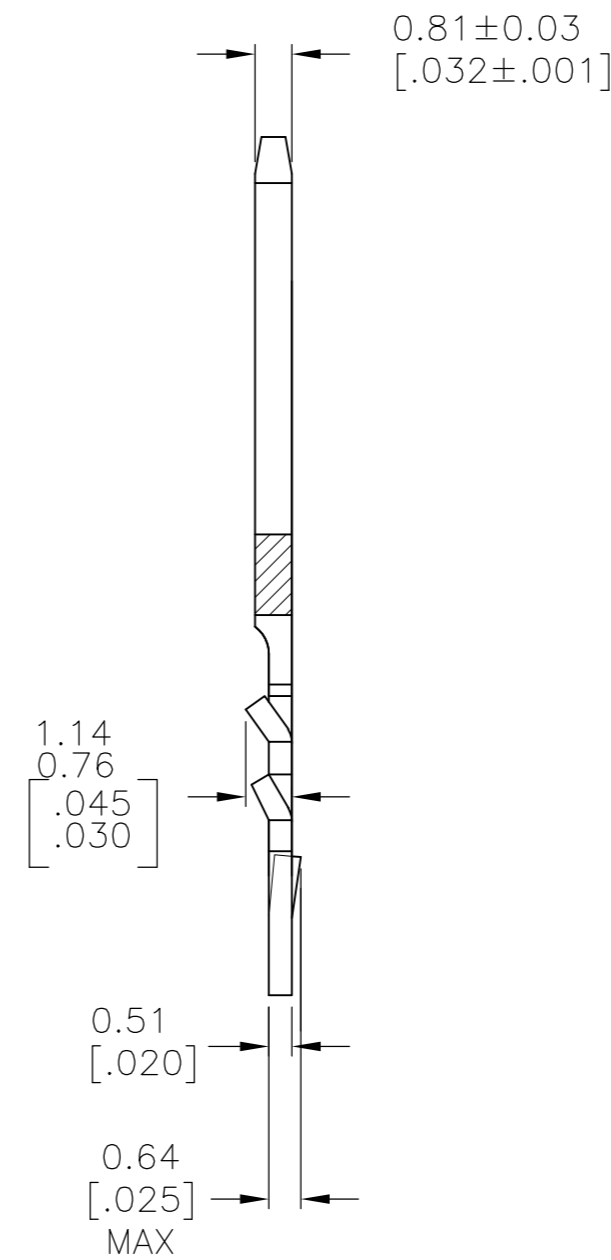
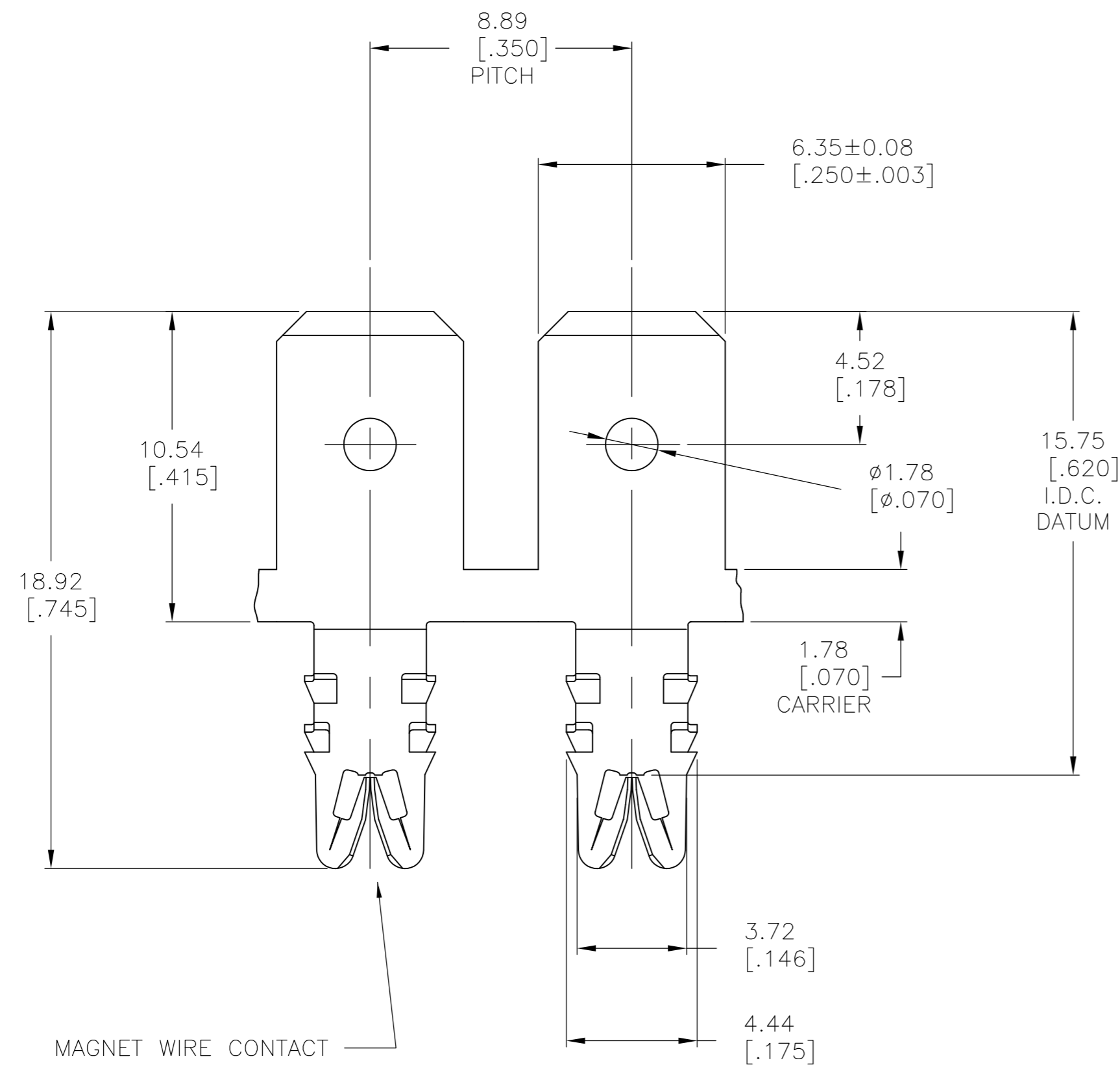
Email & Skype: info@chipsmall.com Web: www.chipsmall.com

Address: A1208, Overseas Decoration Building, #122 Zhenhua RD., Futian, Shenzhen, China

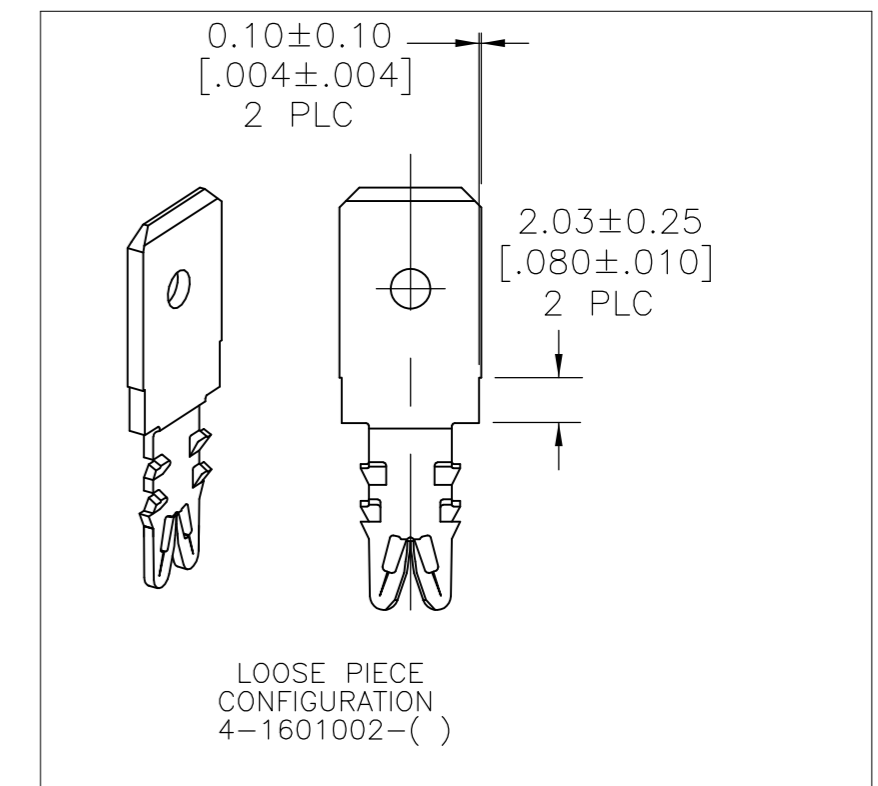


THIS DRAWING IS UNPUBLISHED. RELEASED FOR PUBLICATION
 © COPYRIGHT BY TYCO ELECTRONICS CORPORATION. ALL RIGHTS RESERVED.

LOC		DIST		REVISIONS			
P	LTR	DESCRIPTION		DATE	DWN	APVD	
		D2		REVISED PER ECR-08-000810	22JAN08	HMR	GJ



- SPECIFICATIONS:
MAGNET WIRE #18 - #34 AWG COPPER, 1.02mm (.040") - 0.16mm (.006") DIA. OTHER SIZES MAY BE ACCOMMODATED, CONSULT TYCO ELECTRONICS FOR APPROVAL.
- POCKET RECOMMENDATION: 1601425. ALTERNATE POCKET: 1601421.
- TERMINAL APPLICATION TO COMPLY WITH TYCO ELECTRONICS SPECIFICATION 114-13166 FIGURE 6.



-	-	-
-	-	-
-	-	-
PRE TIN PLATE	031-004-002	4-1601002-2
PRE TIN PLATE	131-004-002	2-1601002-2
PRE TIN PLATE	131-055-002	1601002-2
FINISH	REFERENCE PART NUMBER	PART NUMBER
THIS DRAWING IS A CONTROLLED DOCUMENT.		DWN J.WELLER 11JAN2002
DIMENSIONS: mm [INCHES]		CHK M.FEHER 11JAN2002
TOLERANCES UNLESS OTHERWISE SPECIFIED:		APVD K.RANDOLPH 11JAN2002
0 PLC ± -	1 PLC ± 0.25 [.01]	PRODUCT SPEC
2 PLC ± 0.13 [.005]	3 PLC ± -	108-2085
4 PLC ± -	ANGLES ± 2°	APPLICATION SPEC
MATERIAL BRASS, 1/2 HARD	FINISH SEE TABLE	WEIGHT -
CUSTOMER DRAWING		SCALE 6:1
Tyco Electronics Corporation Harrisburg, PA 17105-3608		SIZE A2
STD. RANGE WIRE TO .250 X .032 MULTI-BARB TAB SIAMEZE TERMINAL		CAGE CODE 00779
DRAWING NO C=1601002		DRAWING NO
RESTRICTED TO		SHEET 1 OF 1
REV D2		