



Chipsmall Limited consists of a professional team with an average of over 10 year of expertise in the distribution of electronic components. Based in Hongkong, we have already established firm and mutual-benefit business relationships with customers from,Europe,America and south Asia,supplying obsolete and hard-to-find components to meet their specific needs.

With the principle of “Quality Parts,Customers Priority,Honest Operation,and Considerate Service”,our business mainly focus on the distribution of electronic components. Line cards we deal with include Microchip,ALPS,ROHM,Xilinx,Pulse,ON,Everlight and Freescale. Main products comprise IC,Modules,Potentiometer,IC Socket,Relay,Connector.Our parts cover such applications as commercial,industrial, and automotives areas.

We are looking forward to setting up business relationship with you and hope to provide you with the best service and solution. Let us make a better world for our industry!



Contact us

Tel: +86-755-8981 8866 Fax: +86-755-8427 6832

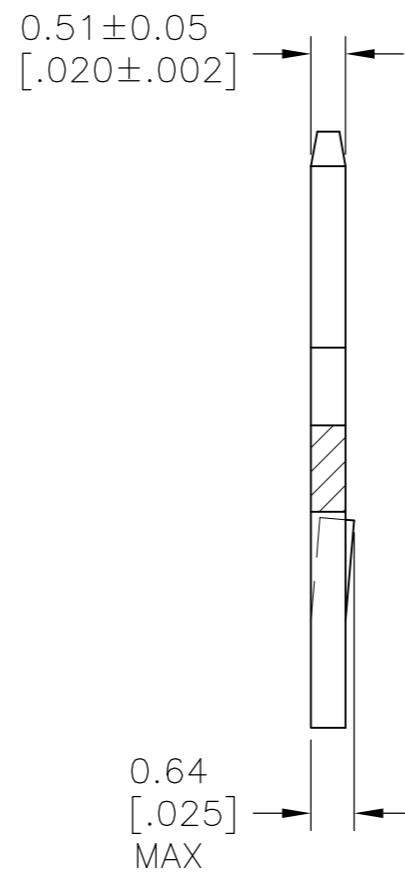
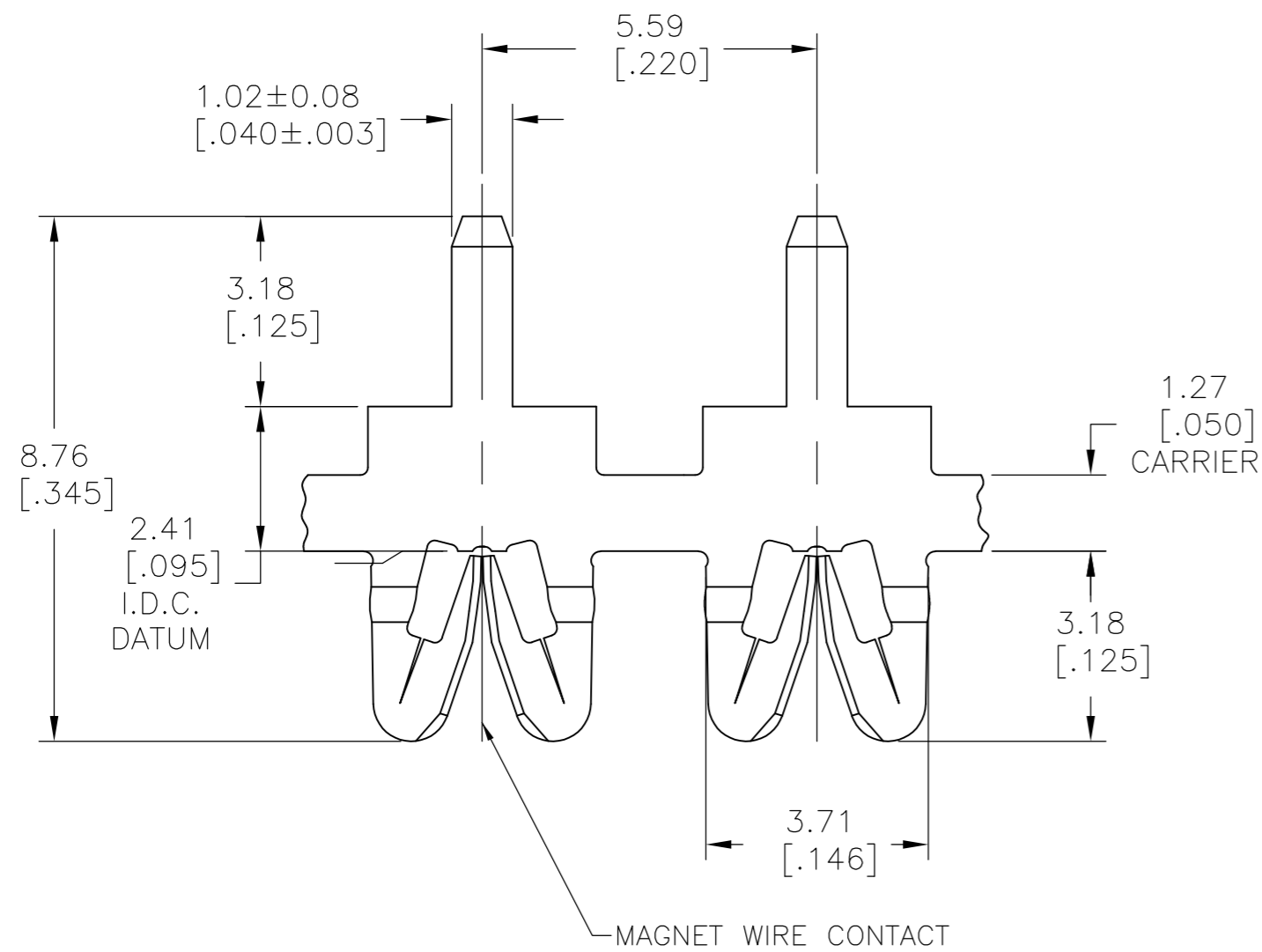
Email & Skype: info@chipsmall.com Web: www.chipsmall.com

Address: A1208, Overseas Decoration Building, #122 Zhenhua RD., Futian, Shenzhen, China

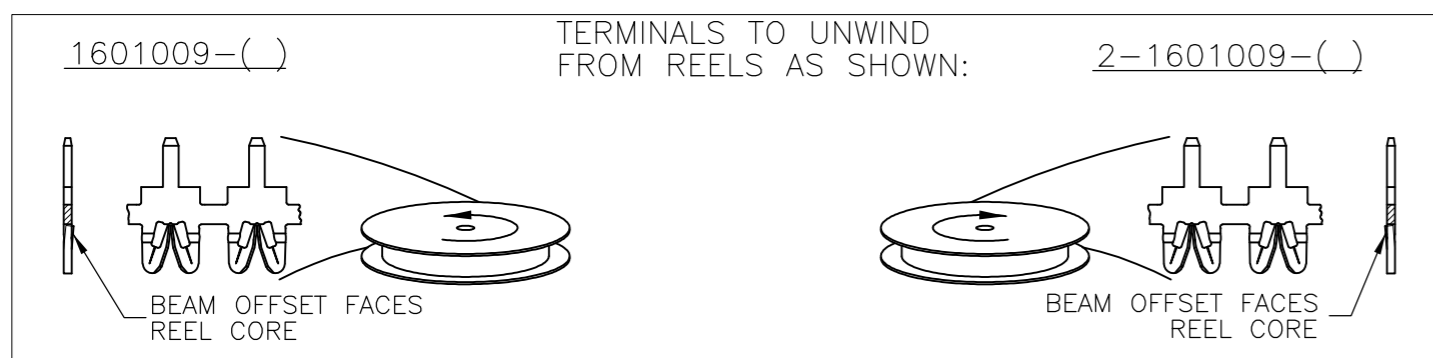
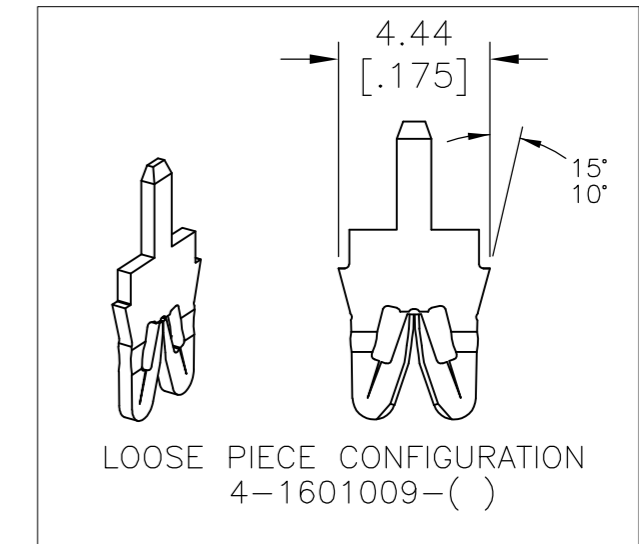


THIS DRAWING IS UNPUBLISHED. RELEASED FOR PUBLICATION
 © COPYRIGHT BY TYCO ELECTRONICS CORPORATION. ALL INTERNATIONAL RIGHTS RESERVED.

LOC		DIST		REVISIONS			
P	LTR	DESCRIPTION		DATE	DWN	APVD	
AF	50	E2	REVISED	ER ECR-10-013120	24JUN10	HMR	GJ



- 1 SPECIFICATIONS:
MAGNET WIRE #18 - #34 AWG,
1.02 [.040]-0.16 [.006] DIA COPPER.
OTHER SIZES MAY BE ACCOMMODATED,
CONSULT TYCO ELECTRONICS FOR APPROVAL.
- 2 POCKET RECOMMENDATION: #1601424
- 3 TERMINAL APPLICATION TO COMPLY WITH TYCO ELECTRONICS SPECIFICATION 114-13166 FIGURE 5.
- 4 TWO(2) TERMINALS SHOWN FOR ILLUSTRATION PURPOSES ONLY.



OBSOLETE
 SUPERSEDED BY 4-1601009-4
 SUPERSEDED BY 1601009-4

POST TIN PLATE OVER NICKEL	-	4-1601009-4
POST TIN PLATE OVER NICKEL	-	1601009-4
SELECTIVE POST TIN-LEAD PLATE OVER NICKEL	031-020-124	4-1601009-3
POST TIN-LEAD PLATE OVER NICKEL	031-020-024	4-1601009-2
POST TIN-LEAD PLATE OVER NICKEL	131-020-024	1601009-2
UNPLATED	131-020-000	1601009-1
FINISH	REFERENCE PART NUMBER	TE PART NUMBER
THIS DRAWING IS A CONTROLLED DOCUMENT.		
DIMENSIONS: mm [INCHES] TOLERANCES UNLESS OTHERWISE SPECIFIED: 0 PLC ± - 1 PLC ± - 2 PLC ± 0.13[.005] 3 PLC ± - 4 PLC ± - ANGLES ± 2°		DWN J.WELLER 11JAN2002 CHK M.FEHER 11JAN2002 APVD K.RANDOLPH 11JAN2002 PRODUCT SPEC 108-2085 APPLICATION SPEC 3
MATERIAL: BRASS, SPRING HARD		FINISH: SEE TABLE
WEIGHT: -		SCALE: 9:1
CUSTOMER DRAWING		SHEET: 1 OF 1
Tyco Electronics Corporation, Harrisburg, PA 17105-3608		RESTRICTED TO: -
STANDARD RANGE WIRE TO 1.01 X 0.51 P.C.B. SIAMEZE TERMINAL		REV: E2