



Chipsmall Limited consists of a professional team with an average of over 10 year of expertise in the distribution of electronic components. Based in Hongkong, we have already established firm and mutual-benefit business relationships with customers from,Europe,America and south Asia,supplying obsolete and hard-to-find components to meet their specific needs.

With the principle of "Quality Parts,Customers Priority,Honest Operation,and Considerate Service",our business mainly focus on the distribution of electronic components. Line cards we deal with include Microchip,ALPS,ROHM,Xilinx,Pulse,ON,Everlight and Freescale. Main products comprise IC,Modules,Potentiometer,IC Socket,Relay,Connector.Our parts cover such applications as commercial,industrial, and automotives areas.

We are looking forward to setting up business relationship with you and hope to provide you with the best service and solution. Let us make a better world for our industry!



Contact us

Tel: +86-755-8981 8866 Fax: +86-755-8427 6832

Email & Skype: info@chipsmall.com Web: www.chipsmall.com

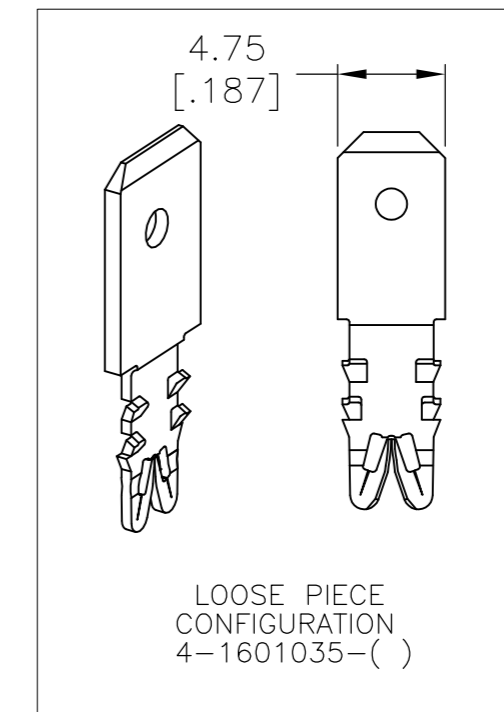
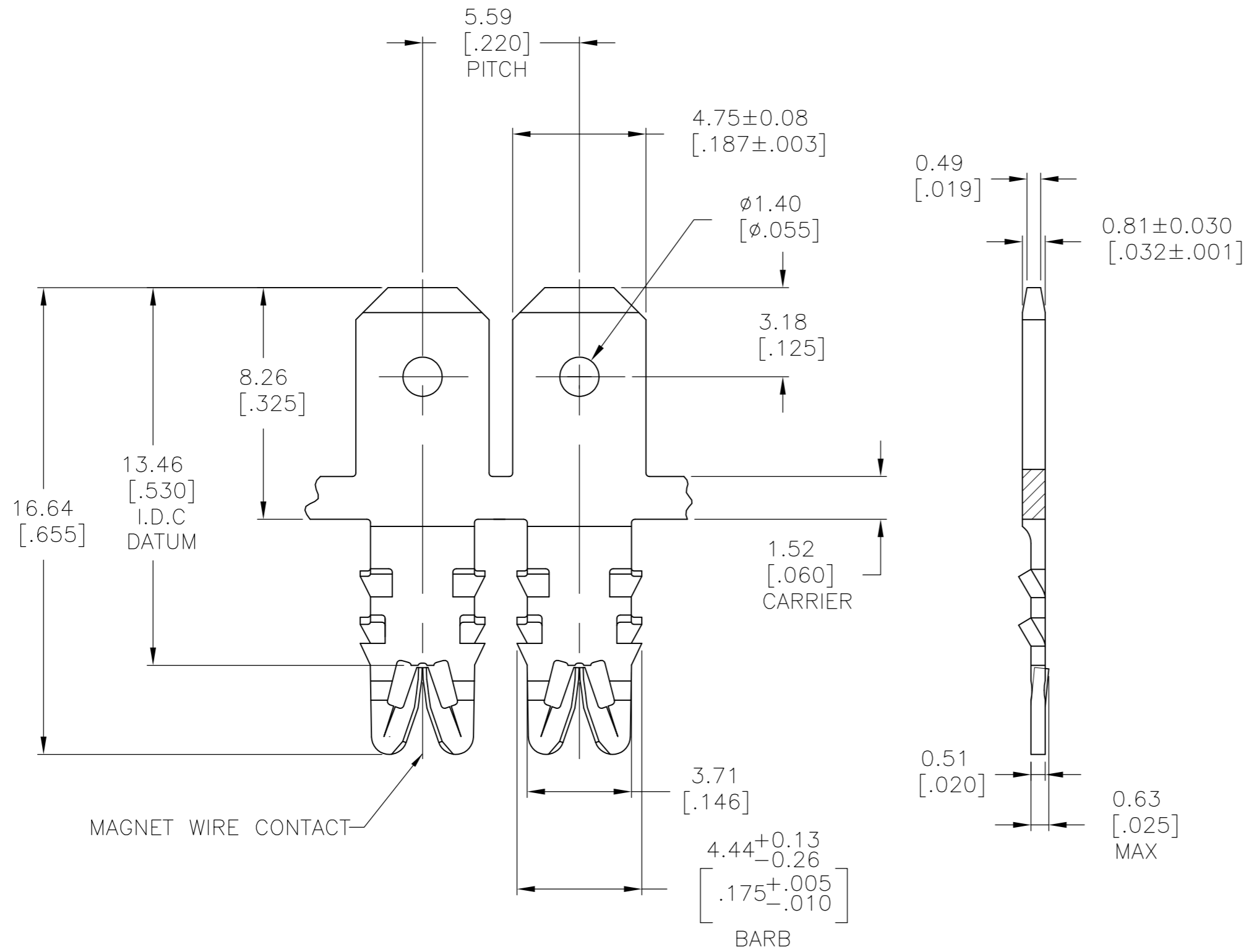
Address: A1208, Overseas Decoration Building, #122 Zhenhua RD., Futian, Shenzhen, China



THIS DRAWING IS UNPUBLISHED. RELEASED FOR PUBLICATION
 © COPYRIGHT - By - ALL RIGHTS RESERVED.

LOC	DIST	REVISIONS					
		P	LTR	DESCRIPTION	DATE	DWN	APVD
AF	50	B4		REVISED PER ECR-11-017500	29AUG11	HMR	GJ

- SPECIFICATIONS:
MAGNET WIRE #18 - #34 AWG,
1.02mm(.040")-0.16mm(.006") DIA COPPER.
- POCKET RECOMMENDATION: NUMBER 1601425. ALTERNATE
POCKET NUMBER 1601421.
- TERMINAL TO BE APPLIED PER TYCO ELECTRONICS
SPECIFICATION 114-13166 FIGURE 6.
- TWO(2) TERMINALS SHOWN FOR ILLUSTRATION PURPOSES ONLY



POST TIN PLATED	031-081-002	4-1601035-2
UNPLATED	031-081-000	4-1601035-1
POST TIN PLATED	131-081-002	2-1601035-2
OBSOLETE UNPLATED	131-081-000	2-1601035-1
POST TIN PLATED	--	1601035-2
UNPLATED	131-082-000	1601035-1
FINISH	REFERENCE PART NUMBER	TE PART NUMBER
THIS DRAWING IS A CONTROLLED DOCUMENT.		DWN J.WELLER 11JAN2002
DIMENSIONS: mm [INCHES]		CHK M.FEHER 11JAN2002
TOLERANCES UNLESS OTHERWISE SPECIFIED:		APVD K.RANDOLPH 11JAN2002
0 PLC ± -	1 PLC ± 0.25[.01]	NAME
2 PLC ± 0.13[.005]	3 PLC ± -	PRODUCT SPEC
4 PLC ± -	ANGLES ± 2°	108-2085
MATERIAL BRASS, 1/2 HARD	FINISH SEE TABLE	APPLICATION SPEC
WEIGHT -		SIZE A2
CUSTOMER DRAWING		CAGE CODE 00779
SCALE 6:1		DRAWING NO C=1601035
SHEET 1 OF 1		RESTRICTED TO -
REV B4		

1601035