



Chipsmall Limited consists of a professional team with an average of over 10 year of expertise in the distribution of electronic components. Based in Hongkong, we have already established firm and mutual-benefit business relationships with customers from,Europe,America and south Asia,supplying obsolete and hard-to-find components to meet their specific needs.

With the principle of “Quality Parts,Customers Priority,Honest Operation,and Considerate Service”,our business mainly focus on the distribution of electronic components. Line cards we deal with include Microchip,ALPS,ROHM,Xilinx,Pulse,ON,Everlight and Freescale. Main products comprise IC,Modules,Potentiometer,IC Socket,Relay,Connector.Our parts cover such applications as commercial,industrial, and automotives areas.

We are looking forward to setting up business relationship with you and hope to provide you with the best service and solution. Let us make a better world for our industry!



Contact us

Tel: +86-755-8981 8866 Fax: +86-755-8427 6832

Email & Skype: info@chipsmall.com Web: www.chipsmall.com

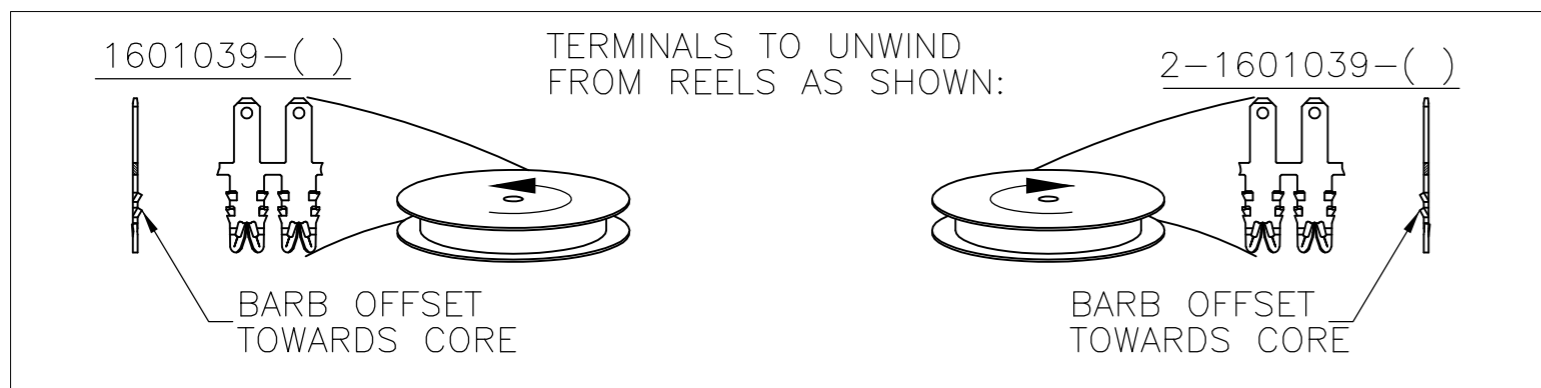
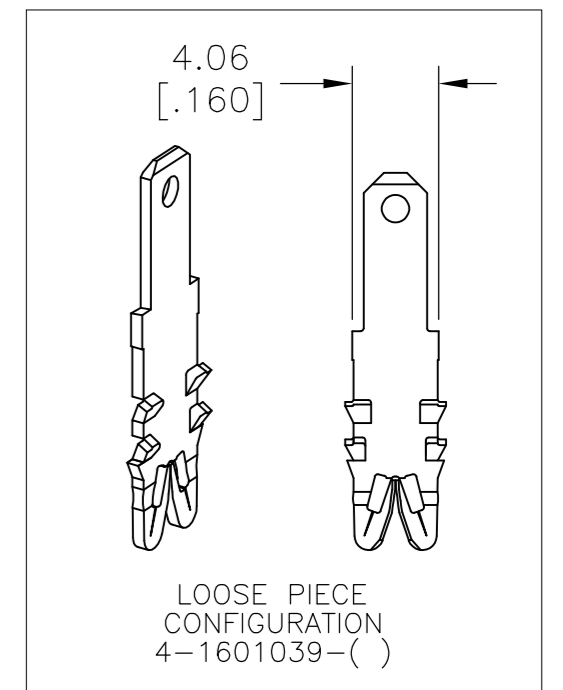
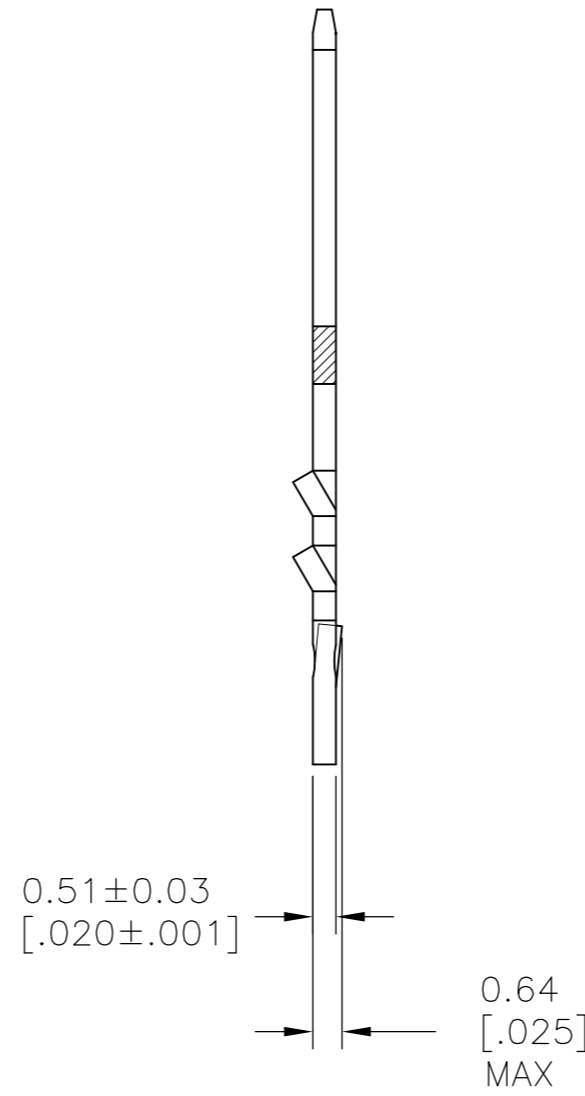
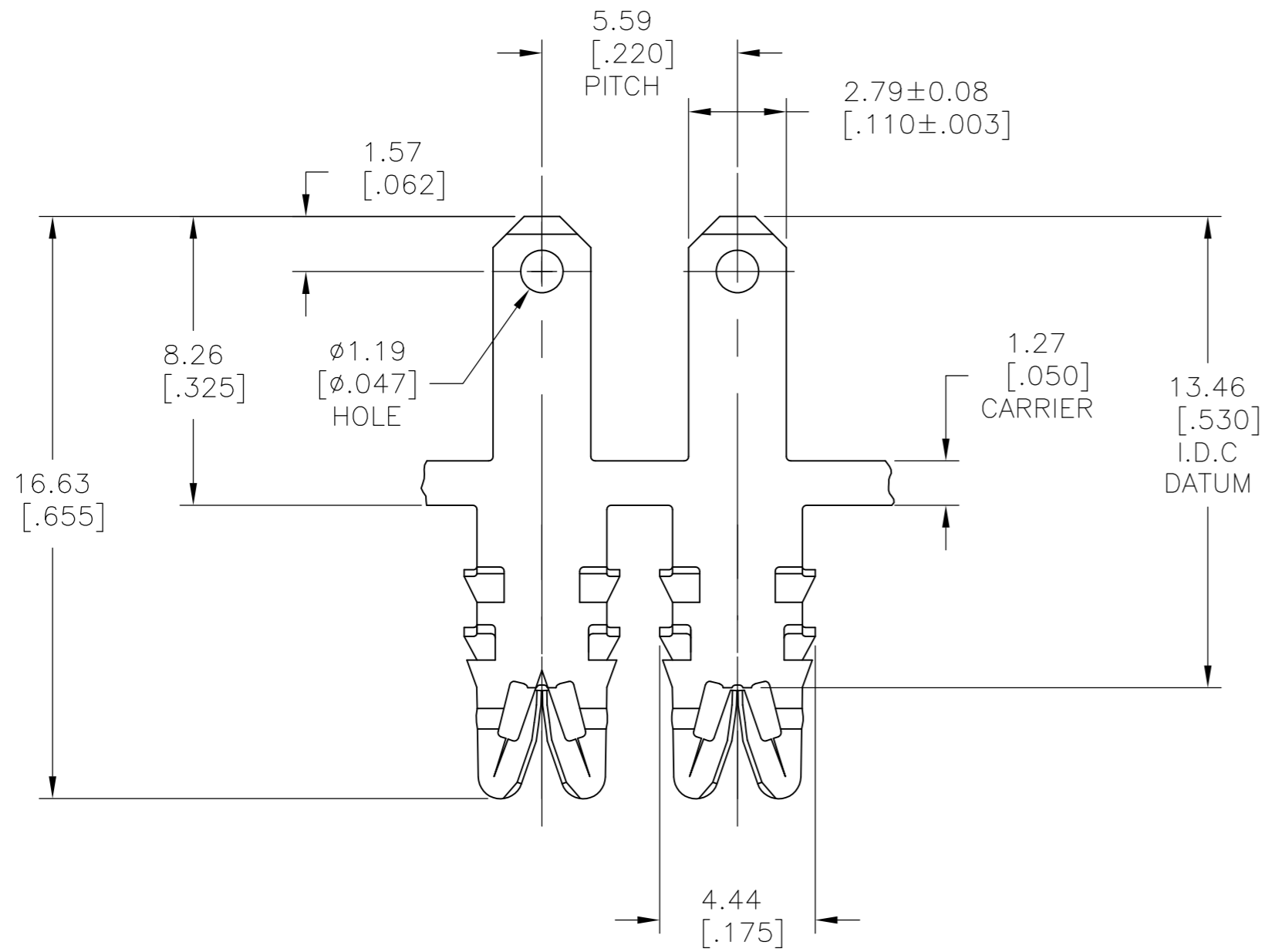
Address: A1208, Overseas Decoration Building, #122 Zhenhua RD., Futian, Shenzhen, China



THIS DRAWING IS UNPUBLISHED. RELEASED FOR PUBLICATION
 © COPYRIGHT BY TYCO ELECTRONICS CORPORATION. ALL INTERNATIONAL RIGHTS RESERVED.

LOC		DIST		REVISIONS			
P	LTR	DESCRIPTION		DATE	DWN	APVD	
AF	50	C2		REVISED PER ECR-10-013696	19AUG10	HMR	GJ

- SPECIFICATIONS:
MAGNET WIRE #18 - #34 AWG,
1.02MM (.040)-0.16MM (.006) DIA COPPER.
OTHER SIZES MAY BE ACCOMMODATED,
CONSULT TYCO ELECTRONICS FOR APPROVAL.
- POCKET RECOMMENDATION : #1601425
- △ TERMINAL APPLICATION TO COMPLY WITH
TYCO ELECTRONICS SPECIFICATION
#114-13166 FIGURE 9.
- △ PRELIMINARY - NOT FOR PRODUCTION.
- TWO(2) TERMINALS SHOWN FOR ILLUSTRATION
PURPOSES ONLY.



PRE TIN PLATE	031-085-002	4-1601039-2
PRE TIN PLATE	131-086-002	2-1601039-2
UNPLATED	131-086-000	2-1601039-1
PRE TIN PLATE	-	△ 1601039-2
UNPLATED	131-085-000	1601039-1
FINISH	REFERENCE PART NUMBER	TE PART NUMBER
THIS DRAWING IS A CONTROLLED DOCUMENT.		
DIMENSIONS: mm [INCHES] TOLERANCES UNLESS OTHERWISE SPECIFIED: 0 PLC ± - 1 PLC ± - 2 PLC ± 0.13[.005] 3 PLC ± - 4 PLC ± - ANGLES ± 2°		DWN J.WELLER 11JAN2002 CHK M.FEHER 11JAN2002 APVD K.RANDOLPH 11JAN2002 PRODUCT SPEC 108-2085 APPLICATION SPEC 408-8629 MATERIAL BRASS, FULL HARD FINISH SEE TABLE
Tyco Electronics Corporation Harrisburg, PA 17105-3608		NAME STD. RANGE WIRE TO 2.79 X 0.51 MULTI-BARB TAB SIAMEZE TERMINAL
SIZE A2	CAGE CODE 00779	DRAWING NO C=1601039
CUSTOMER DRAWING		RESTRICTED TO -
SCALE 6:1	SHEET 1 OF 1	REV C2