



Chipsmall Limited consists of a professional team with an average of over 10 year of expertise in the distribution of electronic components. Based in Hongkong, we have already established firm and mutual-benefit business relationships with customers from,Europe,America and south Asia,supplying obsolete and hard-to-find components to meet their specific needs.

With the principle of “Quality Parts,Customers Priority,Honest Operation,and Considerate Service”,our business mainly focus on the distribution of electronic components. Line cards we deal with include Microchip,ALPS,ROHM,Xilinx,Pulse,ON,Everlight and Freescale. Main products comprise IC,Modules,Potentiometer,IC Socket,Relay,Connector.Our parts cover such applications as commercial,industrial, and automotives areas.

We are looking forward to setting up business relationship with you and hope to provide you with the best service and solution. Let us make a better world for our industry!



Contact us

Tel: +86-755-8981 8866 Fax: +86-755-8427 6832

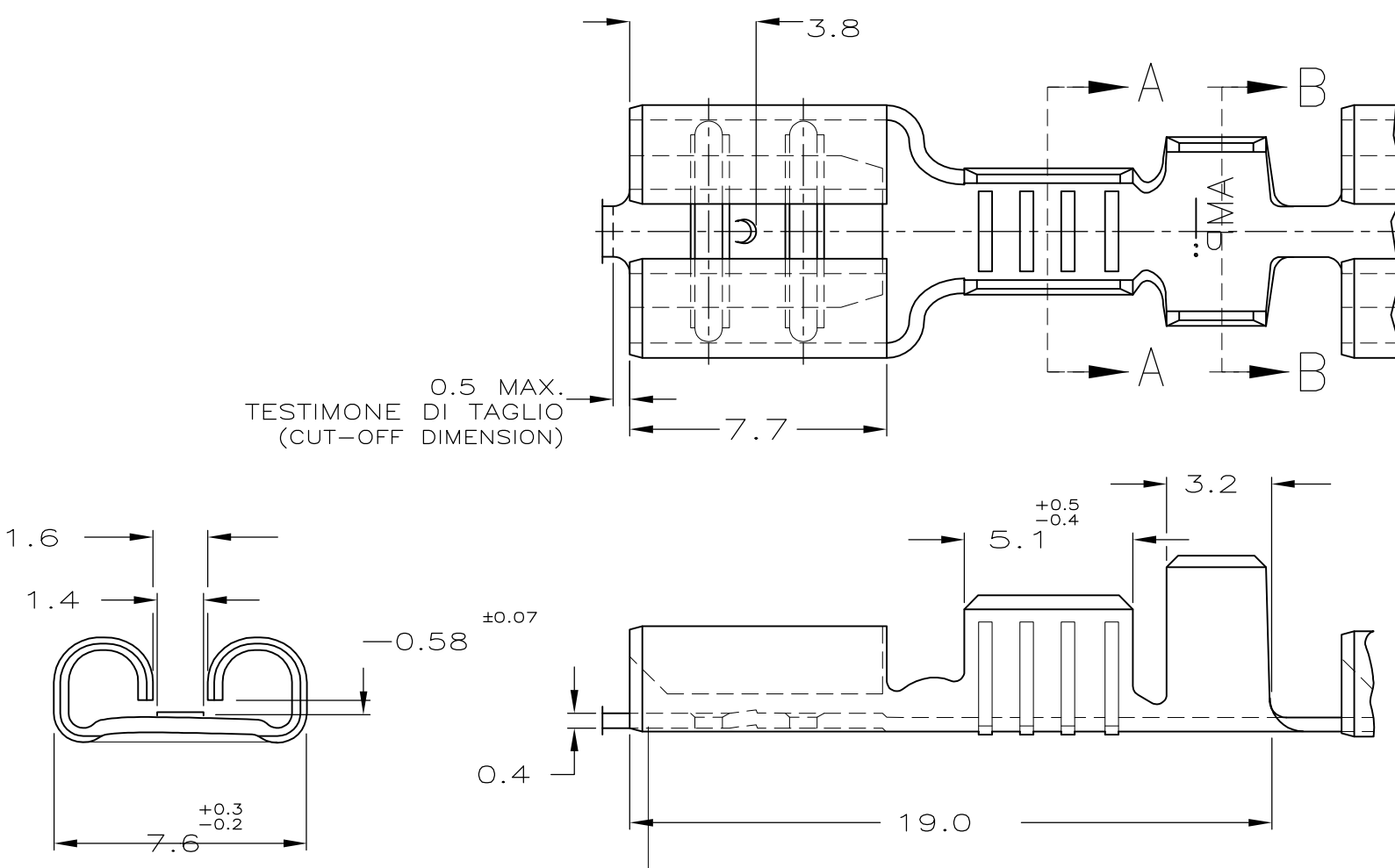
Email & Skype: info@chipsmall.com Web: www.chipsmall.com

Address: A1208, Overseas Decoration Building, #122 Zhenhua RD., Futian, Shenzhen, China



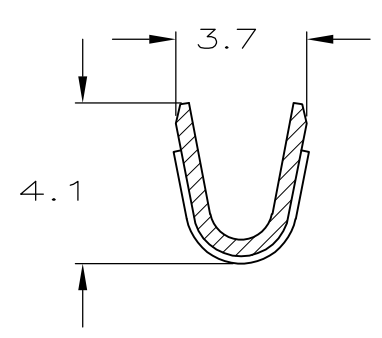
THIS DRAWING IS UNPUBLISHED. RELEASED FOR PUBLICATION
 © COPYRIGHT - By - ALL RIGHTS RESERVED.

LOC	DIST	REVISIONS			
P	LTR	DESCRIPTION	DATE	DWN	APVD
-	-	CU7	REVISED PER ECO-11-005140	30MAR11	RK HMR

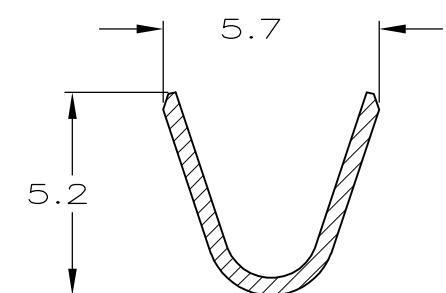


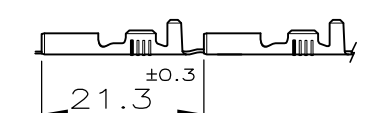
for 0.8 mm tab thickness.

SEZIONE A-A
(SECTION A-A)



SEZIONE B-B
(SECTION B-B)



- 1) STATO DI FORNITURA - SCALA 1:1
(SUPPLY CONDITION - SCALE 1:1)

 SENSO DI USCITA DEL TERMINALE DALLA BOBINA
(DIRECTION OFF TOP OF REEL)
- 2) SPECIFICA DI PRODOTTO 108-20019
(PRODUCT SPEC. 108-20019)
 SPECIFICA DI APPLICAZIONE 114-20023
(APPLICATION SPEC. 114-20023).
- 3) PER LE VERSIONI IN PEZZI SCIOLTI
VEDERE DISEGNO 160304
(FOR LOOSE PIECE VERSION SEE DRAWING 160304).
- 4) 115-16-1, GIUNZIONE MEDIANTE SALDATURA
(115-16-1, SPLICE FREE).
- 5 BOBINATO CON CARTA INTERPOSTA
(REELED WITH INTERLEAVE PAPER STRIP).
- 6 OBSOLETE PARTS: OBSOLETE CIS STREAMLINING PER D.RENAUD/D.SINISI

NOTE	FINITURA / COLORE (FINISH / COLOUR)	MATERIALE (MATERIAL)	NUMERO (PART NO)	REV
6 OBSOLETE	5 NUDO (UNPLATED)	BRONZO FOS. (PH. BRONZE)	4-160256-9	CU
	5 ARGENTATO (SILVER PLATED)	OTTONE (BRASS)	4-160256-7	CU
	5 NUDO (UNPLATED)	BRONZO FOS. (PH. BRONZE)	4-160256-5	CT
	5 PRE NICHELATO (PRE NICKEL PLATED)	ACCIAIO (STEEL)	4-160256-2	CT
	5 STAGNATO (TIN PLATED)	BRONZO FOS. (PH. BRONZE)	3-160256-1	CT
	5 NUDO (UNPLATED)	BRONZO FOS. (PH. BRONZE)	2-160256-8	CT
	5 STAGNATO (TIN PLATED)	OTTONE (BRASS)	2-160256-2	CU
	5 NUDO (UNPLATED)	OTTONE (BRASS)	2-160256-1	CT
	5 PRE NICHELATO (PRE NICKEL PLATED)	ACCIAIO (STEEL)	0-160256-5	CT

THIS DRAWING IS A CONTROLLED DOCUMENT.

DWN H. YAALI 27 JAN 2000
 CHK C. TARTARI 27 JAN 2000
 APVD -

PRODUCT SPEC -
 APPLICATION SPEC -
 WEIGHT -

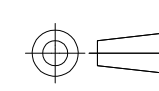
STE TE Connectivity

FASTON® Connector,
 .250 sr. REC. CONTACT.

SIZE A3 CAGE CODE 00779 DRAWING NO C-160256 RESTRICTED TO -

CUSTOMER DRAWING SCALE 5:1 SHEET 1 OF 1 REV CU7

DIAM. ISOLANTE (INS. DIA. RANGE)	RANGO FILO (WIRE RANGE)
3.0-4.3mm DIA.	1.0-2.5 mm2

DIMENSIONS: mm	TOLERANCES UNLESS OTHERWISE SPECIFIED:
	0 PLC ± 0.3
	1 PLC ± -
	2 PLC ± -
	3 PLC ± -
	4 PLC ± -
	ANGLES ± 2°