



Chipsmall Limited consists of a professional team with an average of over 10 year of expertise in the distribution of electronic components. Based in Hongkong, we have already established firm and mutual-benefit business relationships with customers from,Europe,America and south Asia,supplying obsolete and hard-to-find components to meet their specific needs.

With the principle of “Quality Parts,Customers Priority,Honest Operation,and Considerate Service”,our business mainly focus on the distribution of electronic components. Line cards we deal with include Microchip,ALPS,ROHM,Xilinx,Pulse,ON,Everlight and Freescale. Main products comprise IC,Modules,Potentiometer,IC Socket,Relay,Connector.Our parts cover such applications as commercial,industrial, and automotives areas.

We are looking forward to setting up business relationship with you and hope to provide you with the best service and solution. Let us make a better world for our industry!



## Contact us

Tel: +86-755-8981 8866 Fax: +86-755-8427 6832

Email & Skype: info@chipsmall.com Web: www.chipsmall.com

Address: A1208, Overseas Decoration Building, #122 Zhenhua RD., Futian, Shenzhen, China



**SAFETY ORGANIZATIONS**

THIS FILTER HAS BEEN FORMALLY RECOGNIZED, CERTIFIED OR APPROVED BY THE LISTED AGENCY. THEREFORE, ALL TEST/REQUIREMENTS SPECIFIED IN THE LATEST REVISION OF THE FOLLOWING AGENCY STANDARDS HAVE BEEN MET:

UL RECOGNIZED: UL 1283  
 CSA CERTIFIED: CSA C22.2, NO. 8  
 TUV LICENSED: EN 60950

**OPERATING SPECIFICATIONS**

LINE CURRENT/VOLTAGE: 60 AMP, 150 VDC 55°C (UL & CSA)  
 60 AMP, 120 VDC 55°C (TUV)

LINE FREQUENCY: 0 Hz

MAXIMUM LEAKAGE CURRENT,  
 EACH LINE TO GROUND: NOT APPLICABLE

OPERATING AMBIENT TEMP. RANGE: -10°C TO +55°C @ RATED CURRENT,  $I_r$ .

IN AN AMBIENT,  $T_a$ , HIGHER THAN 40°C, THE MAXIMUM OPERATING CURRENT,  $I_o$ , IS AS FOLLOWS:

$$I_o = I_r \sqrt{\frac{100 - T_a}{45}}$$

**RELIABILITY SPECIFICATIONS:**

STORAGE TEMPERATURE: -40°C TO +85°C  
 HUMIDITY: 21 DAYS @ 40°C 95% RH,  
 CURRENT OVERLOAD TEST: 6 TIMES  $I_r$  FOR 8 SECONDS

**TEST SPECIFICATIONS:**

INDUCTANCE: 0.026 mH NOMINAL  
 CAPACITANCE: (MEASURED @ 1KHz, 0.250VAC MAX., 25°C±1°C)  
 LINE TO GROUND: 0.0066  $\mu$ F ±20%  
 LINE TO LINE: 0.1  $\mu$ F ±20%  
 DISCHARGE RESISTOR: 165k  $\Omega$   
 L/G AND L/L I.R.  
 NO DISCHARGE RESISTOR: 6000 $\Omega$  (MIN.) @ 100VDC, 20°C AND 50% RH

**RECOMMENDED RECEIVING INSPECTION HIPOT:**

LINE TO GROUND: 2121 VDC FOR 1 MINUTE  
 LINE TO LINE: 1768 VDC FOR 1 MINUTE

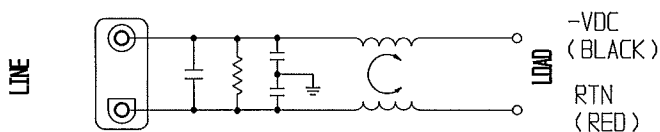
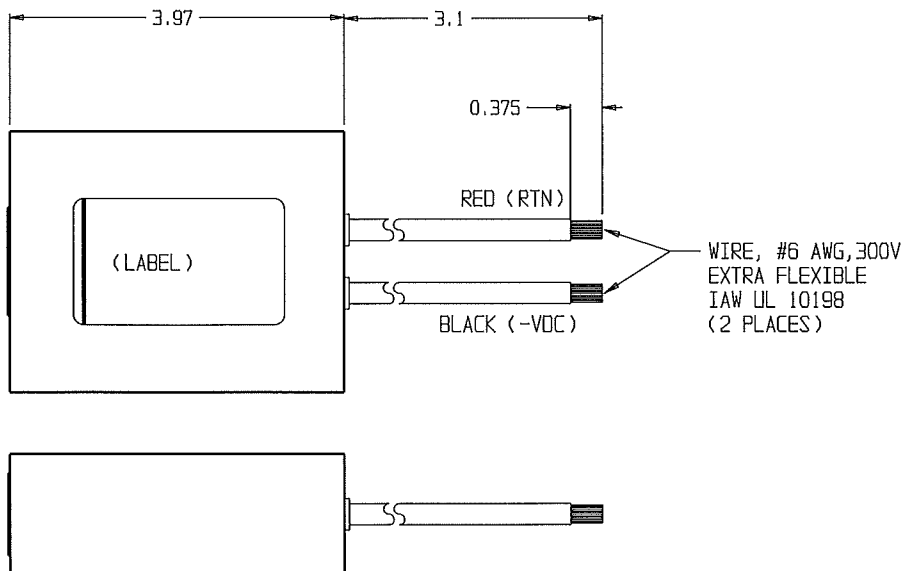
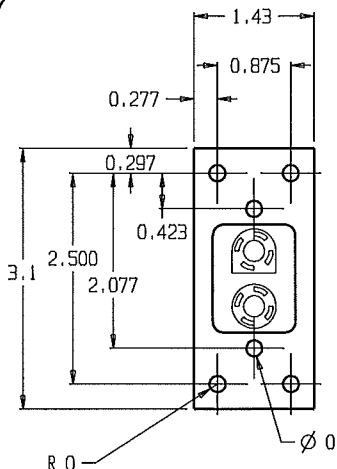
**FILTER APPROVAL:**

THE BEST WAY TO SELECT AND QUALIFY A FILTER IS FOR YOUR ENGINEERING TO TEST THE UNIT IN YOUR EQUIPMENT.

CUSTOMER DRAWING

CATALOG # 60DB8

EC #	APPRD.	DATE
09-022309	<i>[Signature]</i>	02OCT09



**NOTE**

NOT RECOMMENDED FOR HOT SWAP APPLICATIONS  
 NOT RECOMMENDED FOR CURRENT INTERRUPTING

50 $\Omega$ - 50 $\Omega$ (MINIMUM) INSERTION LOSS										THIRD ANGLE PROJECTION		 CORCORN PRODUCTS, 620 S. BUTTERFIELD RD. HUNDELEIN IL 60060					
FREQUENCY MHz	.05	.10	.15	0.5	1.0	3.0	5.0	10	20	30	UNLESS OTHERWISE SPECIFIED, TOLERANCE TO BE ±.025 MATERIAL & FINISH: AS SUPPLIED		POWER LINE FILTER				
COMMON dB	2	7	10	23	30	48	38	28	20	16	THIS INFORMATION IS CONFIDENTIAL AND PROPRIETARY TO TYCO ELECTRONICS CORPORATION AND ITS WORLDWIDE SUBSIDIARIES AND AFFILIATES. IT MAY NOT BE DISCLOSED TO ANYONE OTHER THAN TYCO ELECTRONICS PERSONNEL, WITHOUT WRITTEN AUTHORIZATION FROM TYCO ELECTRONICS CORPORATION, HARRISBURG, PENNSYLVANIA USA		TYCO ELECTRONICS : 4-1609075-4	SCALE: NTS	DATE: 13MAR06	CATALOG NO. 60DB8	REV. 5
DIFF. dB	20	26	29	43	53	30	30	24	20	18	DRW. BY: PJD	ORIG: PJD					