



Chipsmall Limited consists of a professional team with an average of over 10 year of expertise in the distribution of electronic components. Based in Hongkong, we have already established firm and mutual-benefit business relationships with customers from,Europe,America and south Asia,supplying obsolete and hard-to-find components to meet their specific needs.

With the principle of “Quality Parts,Customers Priority,Honest Operation,and Considerate Service”,our business mainly focus on the distribution of electronic components. Line cards we deal with include Microchip,ALPS,ROHM,Xilinx,Pulse,ON,Everlight and Freescale. Main products comprise IC,Modules,Potentiometer,IC Socket,Relay,Connector.Our parts cover such applications as commercial,industrial, and automotives areas.

We are looking forward to setting up business relationship with you and hope to provide you with the best service and solution. Let us make a better world for our industry!



Contact us

Tel: +86-755-8981 8866 Fax: +86-755-8427 6832

Email & Skype: info@chipsmall.com Web: www.chipsmall.com

Address: A1208, Overseas Decoration Building, #122 Zhenhua RD., Futian, Shenzhen, China



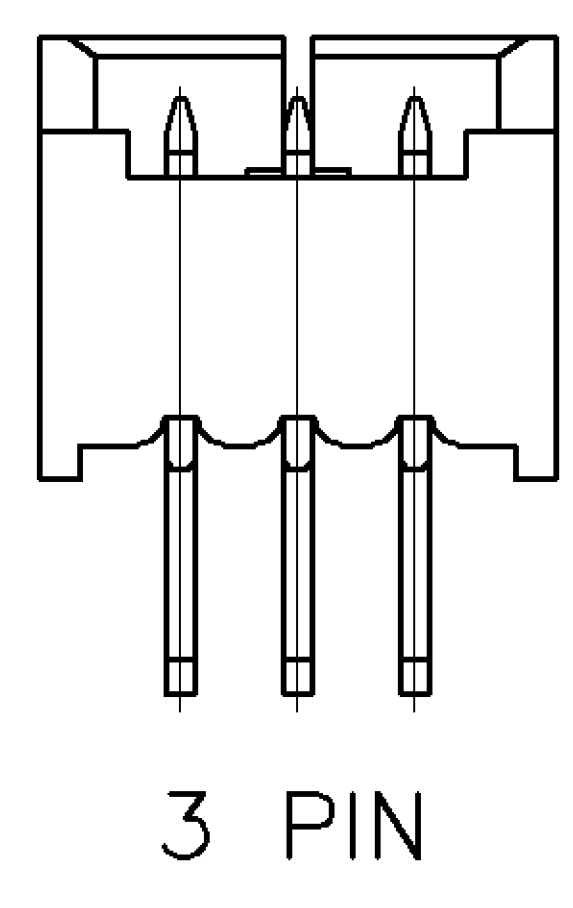
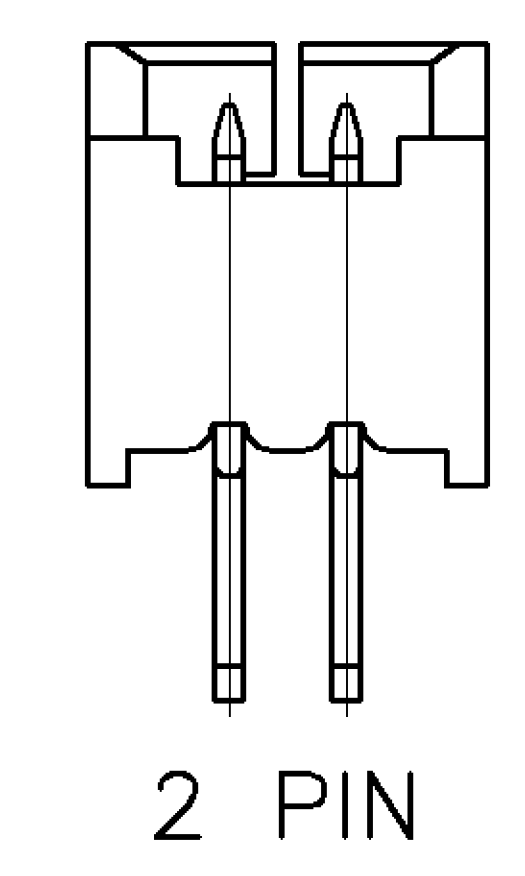
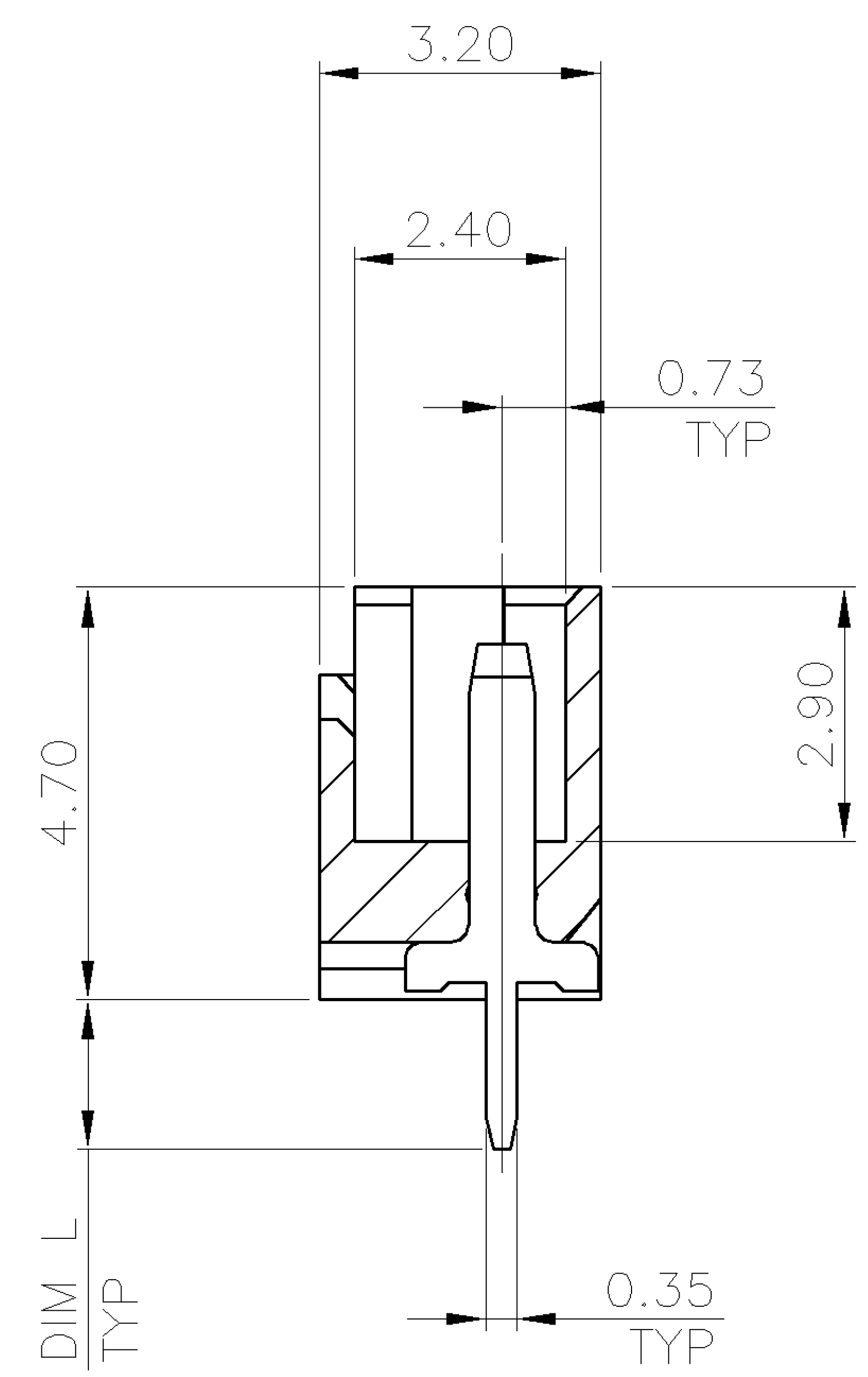
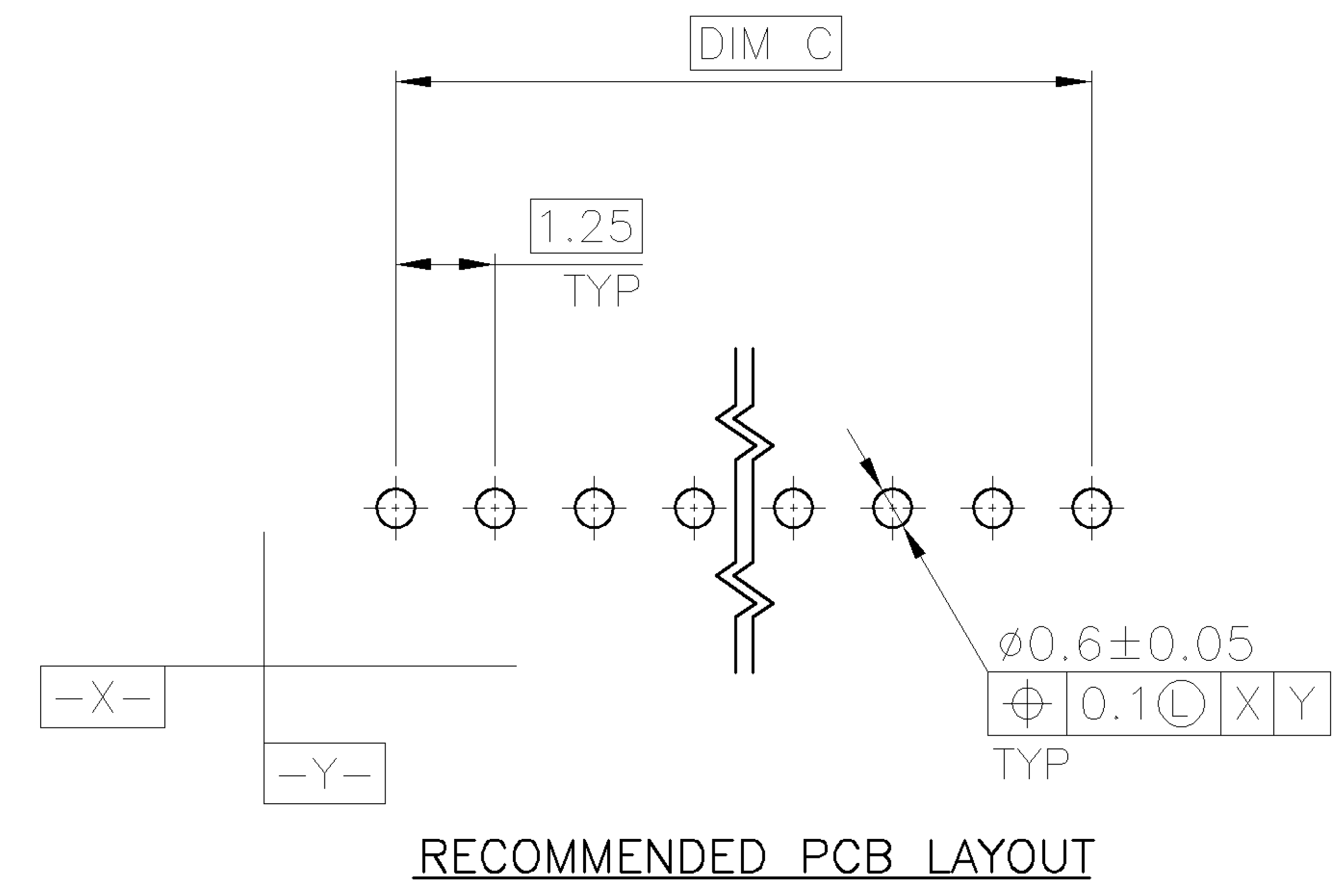
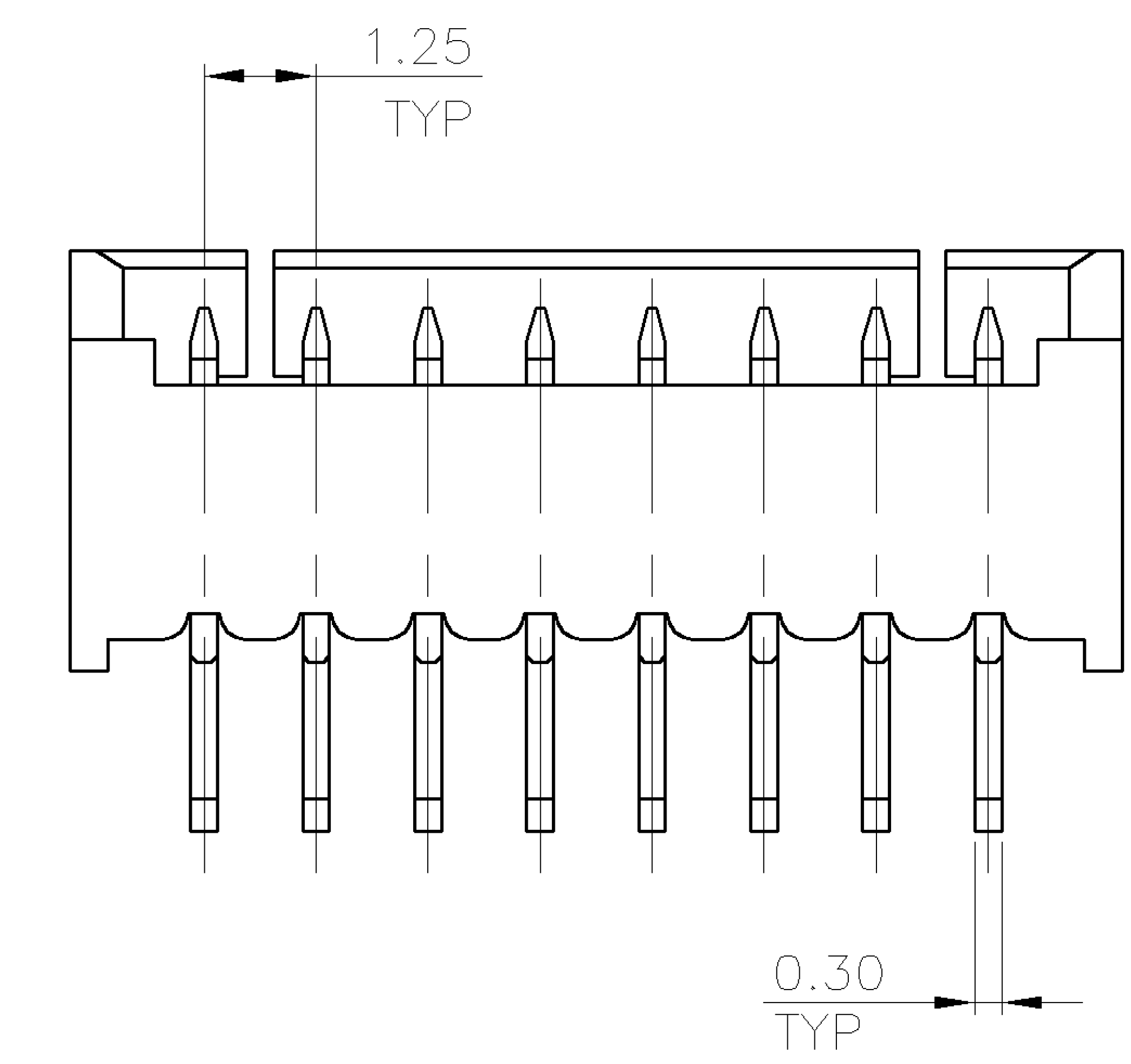
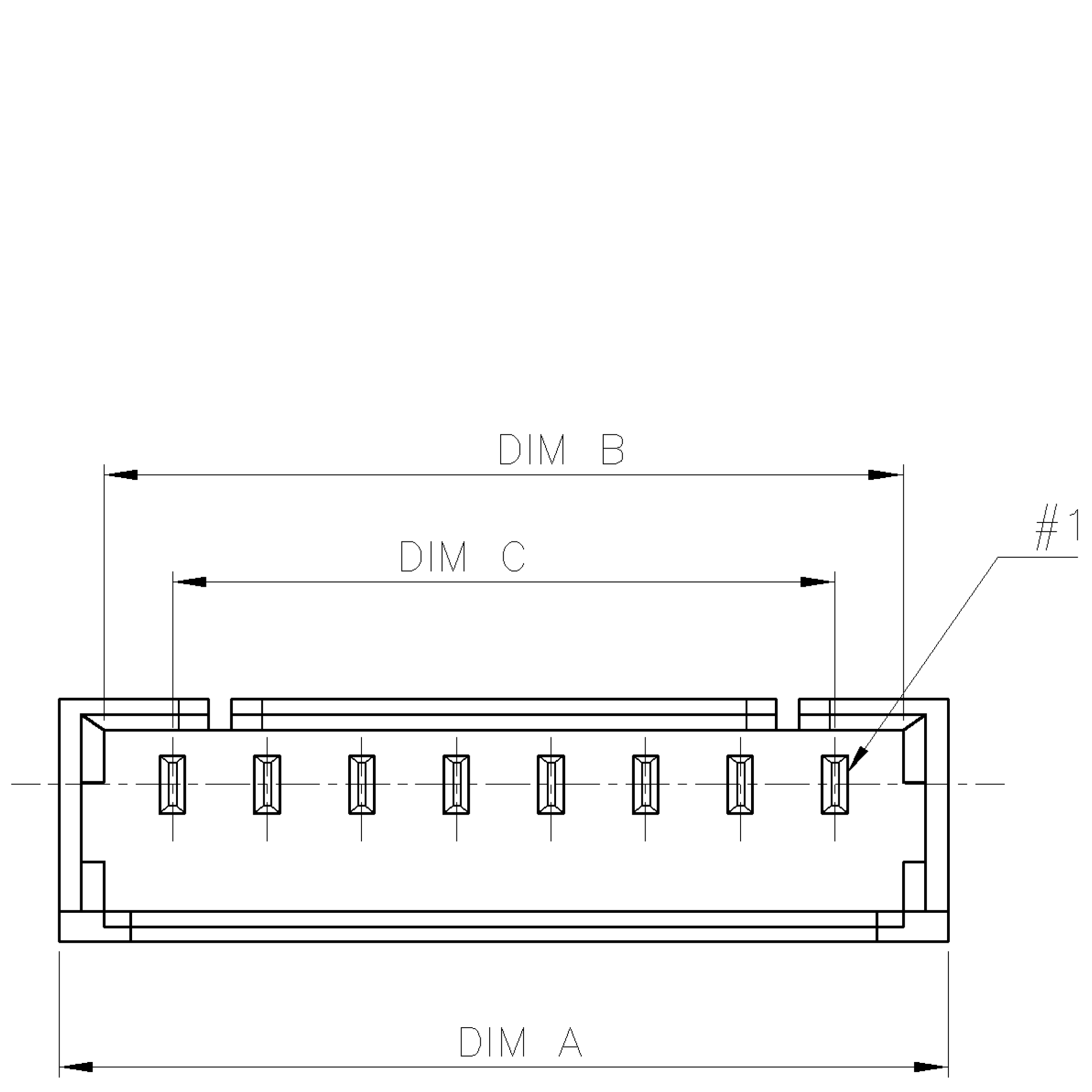
NUMBER
C-1734598

3RD ANGLE PROJECTION

METRIC

DIMENSIONS IN MILLIMETERS. DO NOT SCALE PRINT.

PRINT DIST
DW



NOTE:

- MATERIAL:
HOUSING: THERMOPLASTIC W/ 33% GF, UL 94V-0, COLOR: NATURAL.
CONTACTS: PHOSPHOR BRONZE.
- FINISH:
CONTACTS: 120μ" MIN. MATTE-TIN OVER 50μ" MIN. NICKEL PLATED.
- NO TYCO LOGO AND DATE CODE ON THE PRODUCT.

3.70	17.50	19.30	20.50	15	5-1734598-5
	16.25	18.05	19.25	14	5-1734598-4
	15.00	16.80	18.00	13	5-1734598-3
	13.75	15.55	16.75	12	5-1734598-2
	12.50	14.30	15.50	11	5-1734598-1
	11.25	13.05	14.25	10	5-1734598-0
	10.00	11.80	13.00	9	4-1734598-9
	8.75	10.55	11.75	8	4-1734598-8
	7.50	9.30	10.50	7	4-1734598-7
	6.25	8.05	9.25	6	4-1734598-6
	5.00	6.80	8.00	5	4-1734598-5
	3.75	5.55	6.75	4	4-1734598-4
	2.50	4.30	5.50	3	4-1734598-3
	1.25	3.05	4.25	2	4-1734598-2
	2.30	17.50	19.30	20.50	15
16.25		18.05	19.25	14	3-1734598-4
15.00		16.80	18.00	13	3-1734598-3
13.75		15.55	16.75	12	3-1734598-2
12.50		14.30	15.50	11	3-1734598-1
11.25		13.05	14.25	10	3-1734598-0
10.00		11.80	13.00	9	2-1734598-9
8.75		10.55	11.75	8	2-1734598-8
7.50		9.30	10.50	7	2-1734598-7
6.25		8.05	9.25	6	2-1734598-6
5.00		6.80	8.00	5	2-1734598-5
3.75		5.55	6.75	4	2-1734598-4
2.50		4.30	5.50	3	2-1734598-3
1.25		3.05	4.25	2	2-1734598-2
1.70		17.50	19.30	20.50	15
	16.25	18.05	19.25	14	1-1734598-4
	15.00	16.80	18.00	13	1-1734598-3
	13.75	15.55	16.75	12	1-1734598-2
	12.50	14.30	15.50	11	1-1734598-1
	11.25	13.05	14.25	10	1-1734598-0
	10.00	11.80	13.00	9	1734598-9
	8.75	10.55	11.75	8	1734598-8
	7.50	9.30	10.50	7	1734598-7
	6.25	8.05	9.25	6	1734598-6
	5.00	6.80	8.00	5	1734598-5
	3.75	5.55	6.75	4	1734598-4
	2.50	4.30	5.50	3	1734598-3
	1.25	3.05	4.25	2	1734598-2

DIM. L	DIM. C	DIM. B	DIM. A	NO. OF CONTACTS	PART NUMBER
--------	--------	--------	--------	-----------------	-------------

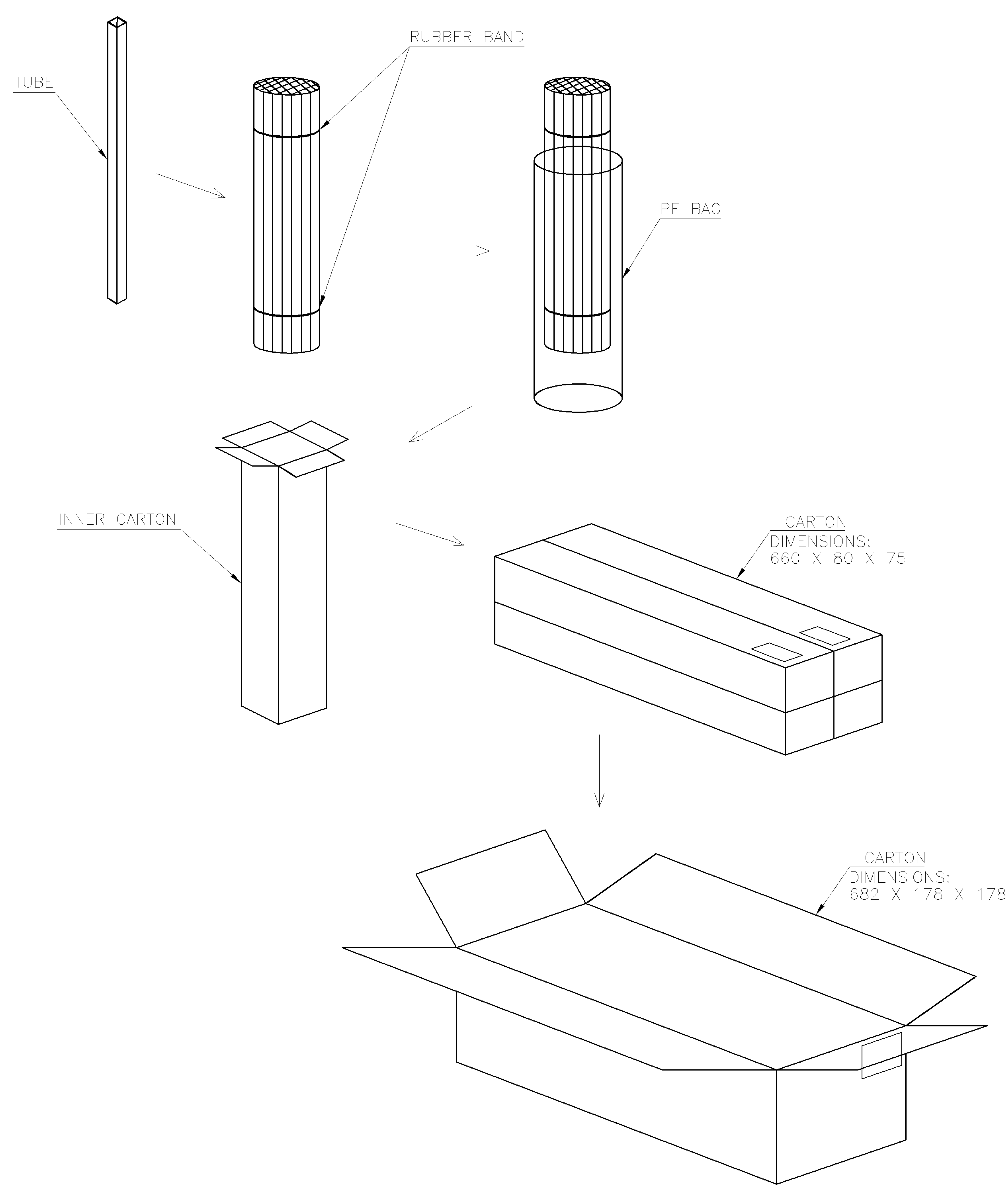
TOLERANCES UNLESS OTHERWISE SPECIFIED: 0 PLC ±- 1 PLC ±0.38 2 PLC ±0.25 3 PLC ±- ANGLES ±5'	DWN	A. WU 30-DEC-2005	TE Connectivity NAME 1.25 MM PITCH WIRE TO BOARD CONNECTOR, HEADER, DIP, VERTICAL			
	CHK	S. HOU 30-DEC-2005				
MATERIAL	APVD	W.J. KE 30-DEC-2005	PRODUCT SPEC 108-57273			
SEE NOTE	QUALIFICATION TEST REPORT	501-57299				
FINISH	WEIGHT	-	LOC	SIZE	DRAWING NO	REV
SEE NOTE			DW	A ₃	C-1734598	P
			SCALE		SHEET	1 OF 2

P	REVISION RECORD	REVISD PER ECO-11-005301	RK HMR 5APR11
LTR		ECO	DWN CHK DATE

NUMBER C-1734598
 METRIC

3RD ANGLE PROJECTION
 DIMENSIONS IN MILLIMETERS. DO NOT SCALE PRINT.

PRINT DIST
 DW



TUBES/CARTON	QUANTITY	PCS/TUBE	G/W (KG)	N/W (KG)	NO. OF CONTACTS
200	6000	30	5.948	2.178	15
200	6400	32	5.920	2.150	14
200	6800	34	5.919	2.148	13
200	7200	36	5.959	2.188	12
200	7800	39	5.868	2.098	11
200	8600	43	5.972	2.201	10
200	9400	47	5.970	2.199	9
200	10400	52	5.954	2.184	8
200	11600	58	5.974	2.204	7
200	13200	66	5.850	2.112	6
200	15200	76	5.929	2.158	5
200	18000	90	5.930	2.160	4
200	22000	110	5.950	2.178	3
200	28200	141	5.915	2.143	2

TOLERANCES UNLESS OTHERWISE SPECIFIED: 0 PLC ±- 1 PLC ±- 2 PLC ±- 3 PLC ±- ANGLES ±-	DWN A. WU 30-DEC-2005	TE Connectivity NAME 1.25 MM PITCH WIRE TO BOARD CONNECTOR, HEADER, DIP, VERTICAL
	CHK S. HOU 30-DEC-2005	
MATERIAL -	APVD W.J. KE 30-DEC-2005	LOC SIZE DRAWING NO REV DW A ₃ C-1734598 P
FINISH -	PRODUCT SPEC	SCALE SHEET -- 2 OF 2
	APPLICATION SPEC	
	WEIGHT	

LTR	REVISION RECORD	SEE SHEET 1.	ECO	DWN	CHK	DATE
-----	-----------------	--------------	-----	-----	-----	------