



Chipsmall Limited consists of a professional team with an average of over 10 year of expertise in the distribution of electronic components. Based in Hongkong, we have already established firm and mutual-benefit business relationships with customers from,Europe,America and south Asia,supplying obsolete and hard-to-find components to meet their specific needs.

With the principle of “Quality Parts,Customers Priority,Honest Operation,and Considerate Service”,our business mainly focus on the distribution of electronic components. Line cards we deal with include Microchip,ALPS,ROHM,Xilinx,Pulse,ON,Everlight and Freescale. Main products comprise IC,Modules,Potentiometer,IC Socket,Relay,Connector.Our parts cover such applications as commercial,industrial, and automotives areas.

We are looking forward to setting up business relationship with you and hope to provide you with the best service and solution. Let us make a better world for our industry!



## Contact us

Tel: +86-755-8981 8866 Fax: +86-755-8427 6832

Email & Skype: info@chipsmall.com Web: www.chipsmall.com

Address: A1208, Overseas Decoration Building, #122 Zhenhua RD., Futian, Shenzhen, China



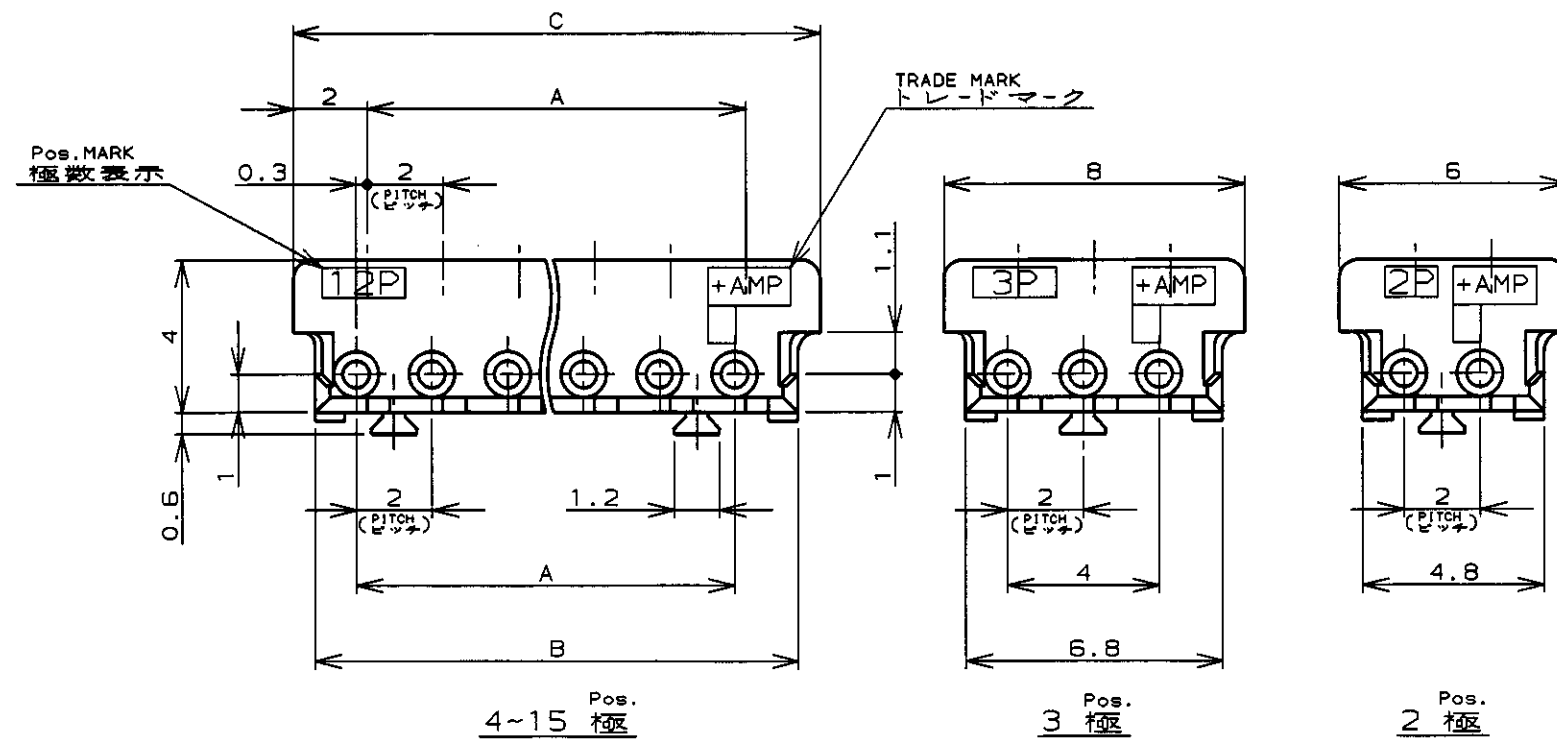
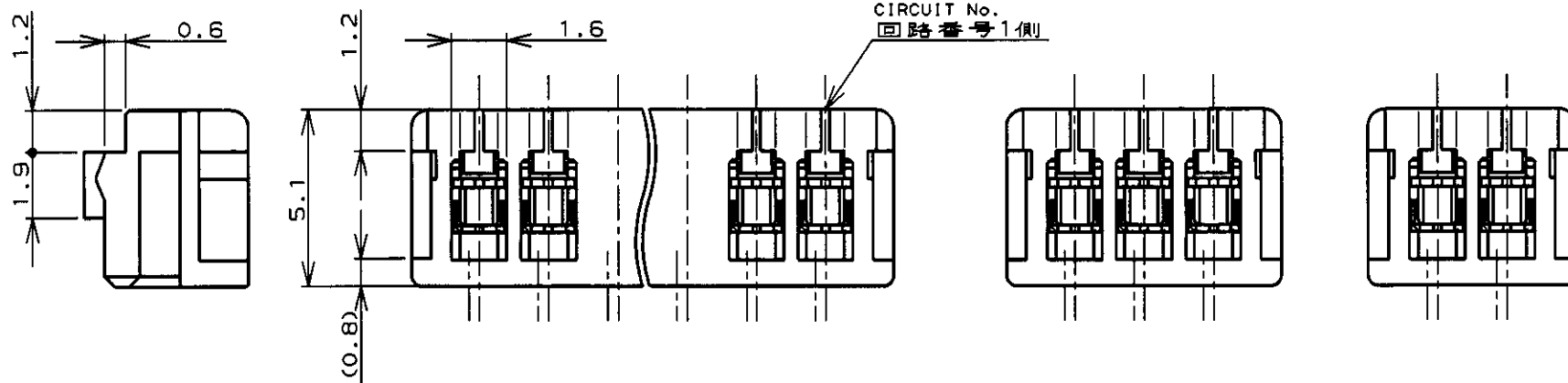
NUMBER C-173977

三角度 (3rd ANGLE PROJECTION)

METRIC

単位: ㎜ DIMENSIONS IN MM. DO NOT SCALE PRINT

PRINT DIST



注記;

- 適用電線範囲 : AWG# 28-26 (UL1571, UL1061)  
被覆外径 : 0.83-1.05
- 材料 : ハウジング-ガラス入PBT UL94V-0  
コンタクト-錫メッキ済磷青銅
- 運用製品規格番号 : 108-5218
- 取付運用規格番号 : 114-5104

NOTES;

- APPLICABLE WIRE SIZE : AWG# 28-26 (UL1571, UL1061)  
INSULATION DIA RANGE : 0.83-1.05
- MATERIAL :  
HOUSING : PBT (G.F) UL94V-0  
CONTACT : PRE-TIN PHOS-BRONZE
- PRODUCT SPEC : 108-5218
- APPLICATION SPEC : 114-5104

7-173977-5	5-173977-5	3-173977-5	1-173977-5	15	28	30.8	32
7- ↑ -4	5- ↑ -4	3- ↑ -4	1- ↑ -4	14	26	28.8	30
7- -3	5- -3	3- -3	1- -3	13	24	26.8	28
7- -2	5- -2	3- -2	1- -2	12	22	24.8	26
7- -1	5- -1	3- -1	1- -1	11	20	22.8	24
7- -0	5- -0	3- -0	1- -0	10	18	20.8	22
6- -9	4- -9	2- -9		9	16	18.8	20
6- -8	4- -8	2- -8		8	14	16.8	18
6- -7	4- -7	2- -7		7	12	14.8	16
6- -6	4- -6	2- -6		6	10	12.8	14
6- -5	4- -5	2- -5		5	8	10.8	12
6- -4	4- -4	2- -4		4	6	8.8	10
6- -3	4- -3	2- -3		3	-AS SHOWN 図示-		
6-173977-2	4-173977-2	2-173977-2	173977-2	2	-AS SHOWN 図示-		
BLACK 黒色	CREAM YELLOW クリームイエロー	LIGHT BLUE ライトブルー	NATURAL 自然色	POS	A	B	C
PART No. 製品型番				極数	A	B	C

TE Connectivity		
適合電線断面積 (WIRE RANGE) NOTE 1 mm <sup>2</sup> (AWG - )	被覆外径 (INSULATION DIA.) NOTE 1 mmφ	名称 (NAME) MT REC HOUSING ASS'Y (AMP CT CONNECTOR 2mm PITCH)
材料 (MATERIAL) NOTE 2	仕上 (FINISH) //	一般公差 (GENERAL TOLERANCE) 10以下 : ±0.2 10を超え 30以下 : ±0.25 30を超え 100以下 : ±0.3 角 度 : ±3°
DR. 23/AUG/99 J. TSUJI	DE. 23/AUG/99 J. Tsuji	SIZE LOC 番号 (No.) A3 J C-173977
LTR 変更 (REVISION RECORD)	DR CHK DATE	尺度 (SCALE) REV. SHEET 4-1 G2 1 OF 1

G2	REVISED PER ECO-11-005033	RK	HMR	2APR11
LTR	変更 (REVISION RECORD)	DR	CHK	DATE