



Chipsmall Limited consists of a professional team with an average of over 10 year of expertise in the distribution of electronic components. Based in Hongkong, we have already established firm and mutual-benefit business relationships with customers from,Europe,America and south Asia,supplying obsolete and hard-to-find components to meet their specific needs.

With the principle of “Quality Parts,Customers Priority,Honest Operation,and Considerate Service”,our business mainly focus on the distribution of electronic components. Line cards we deal with include Microchip,ALPS,ROHM,Xilinx,Pulse,ON,Everlight and Freescale. Main products comprise IC,Modules,Potentiometer,IC Socket,Relay,Connector.Our parts cover such applications as commercial,industrial, and automotives areas.

We are looking forward to setting up business relationship with you and hope to provide you with the best service and solution. Let us make a better world for our industry!



## Contact us

Tel: +86-755-8981 8866 Fax: +86-755-8427 6832

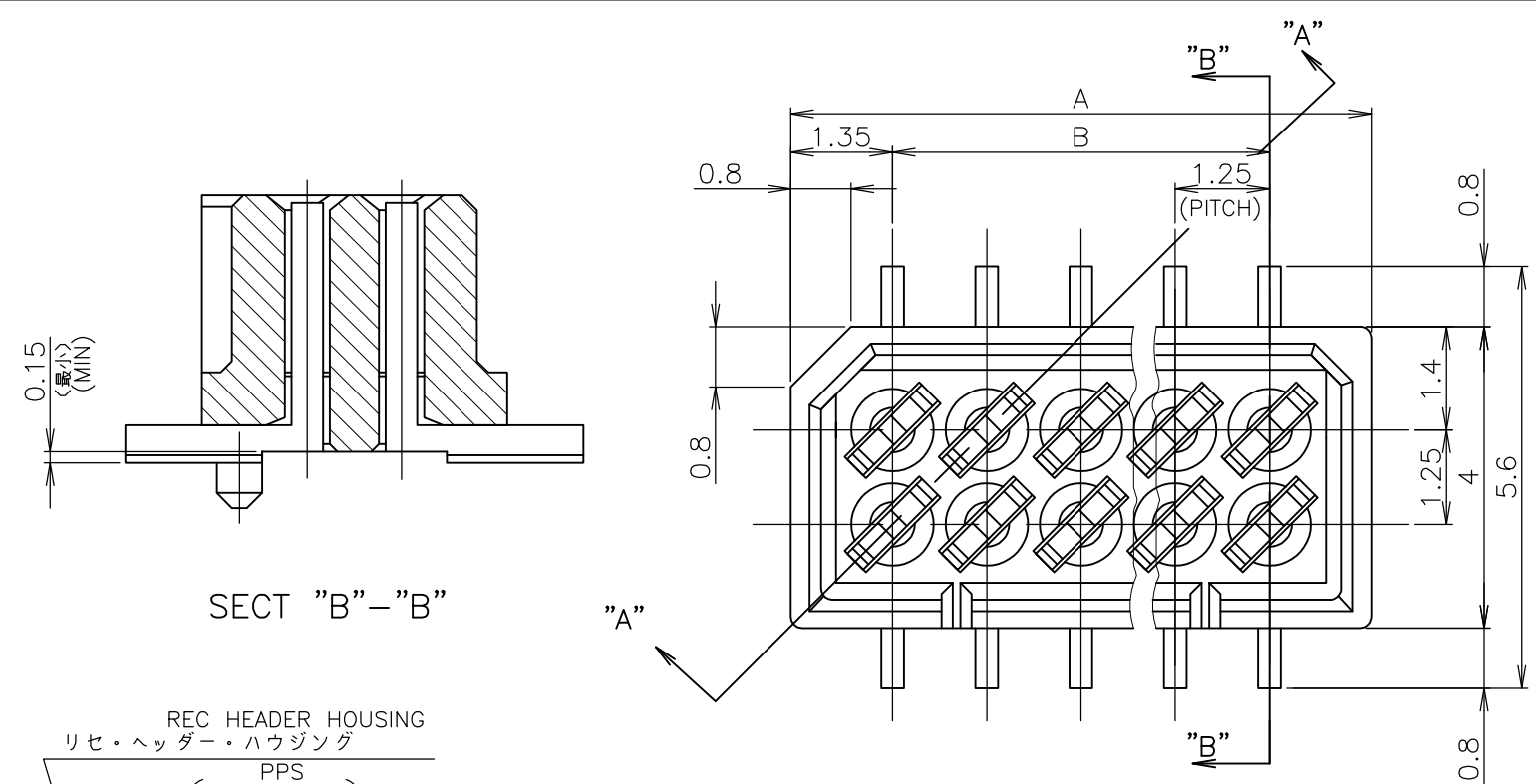
Email & Skype: info@chipsmall.com Web: www.chipsmall.com

Address: A1208, Overseas Decoration Building, #122 Zhenhua RD., Futian, Shenzhen, China



THIS DRAWING IS UNPUBLISHED. RELEASED FOR PUBLICATION ? ? ?  
 © COPYRIGHT ? By - ALL RIGHTS RESERVED.

LOC	DIST	REVISIONS					
		P	LTR	DESCRIPTION	DATE	DWN	APVD
J		P1		REVISED PER ECO-11-005030	11MAR11	RK	HMR

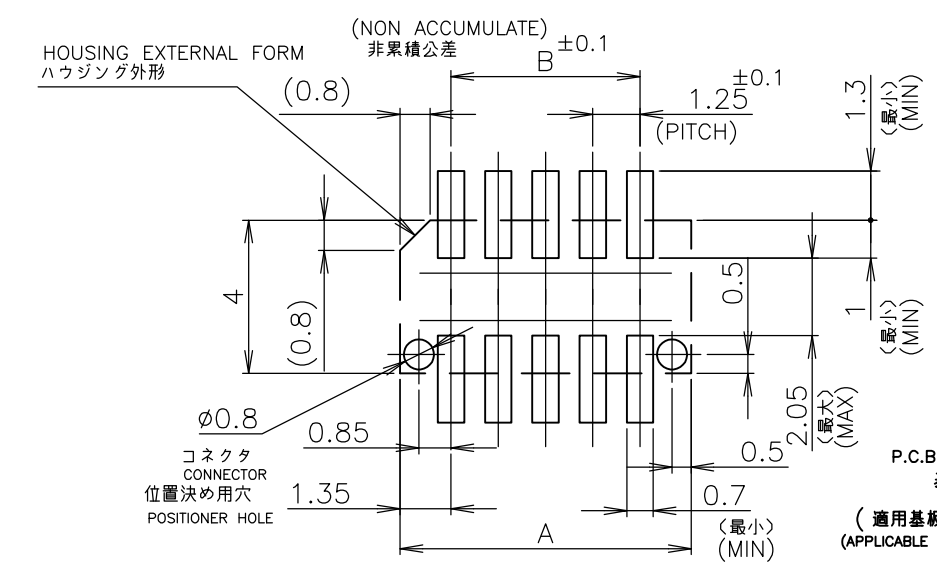
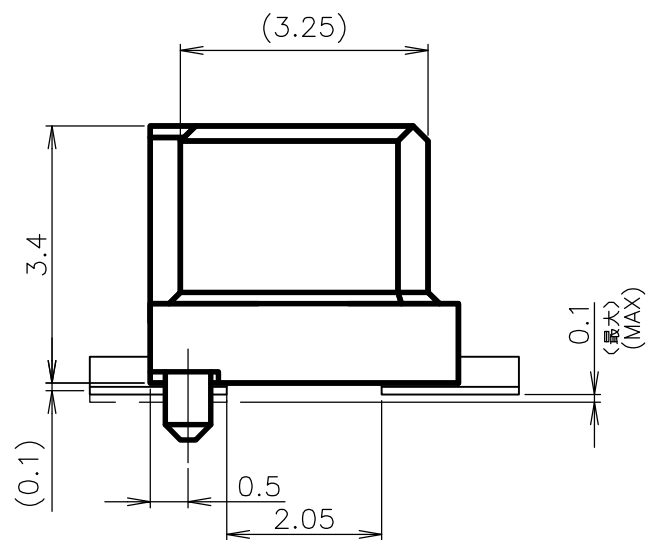
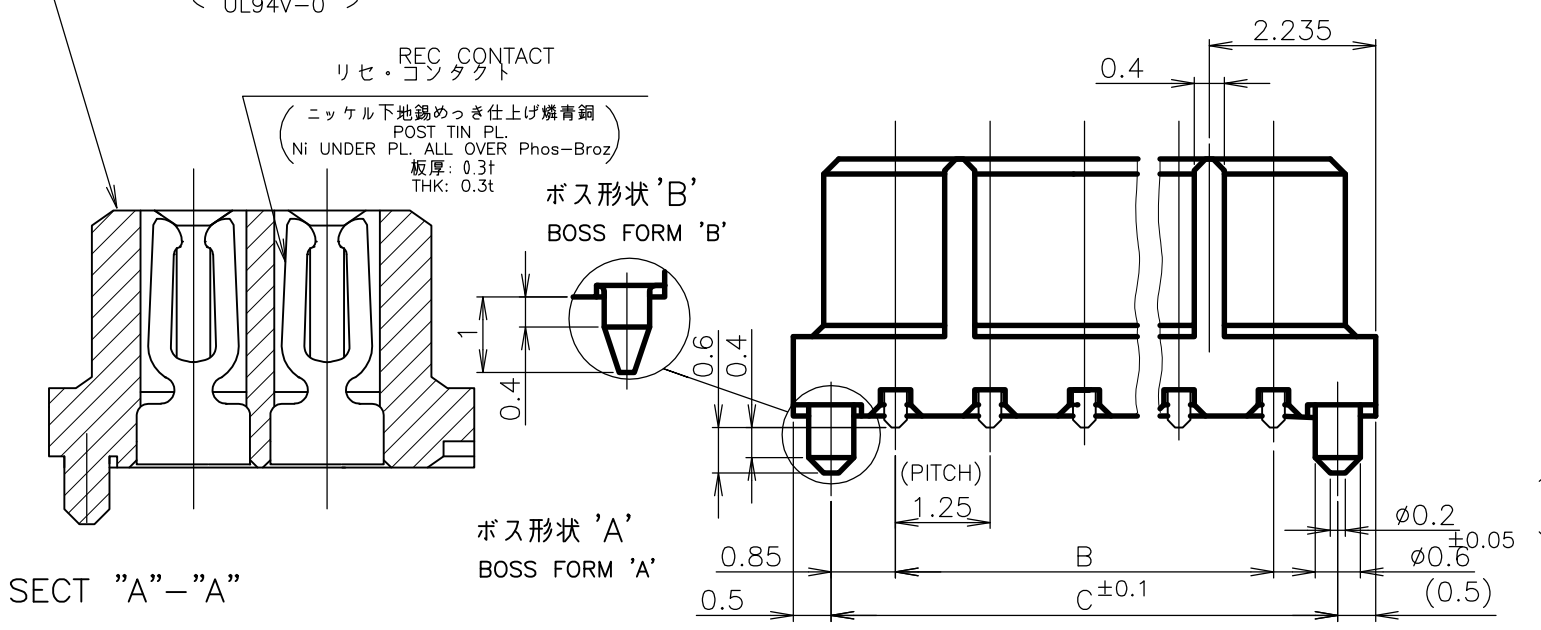
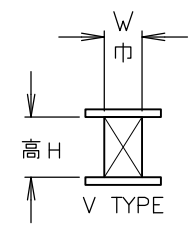


1 嵌合相手製品型番及び、嵌合時寸法は  
 MATING COUNTER PART NUMBER AND DIMENSIONS  
 表-1 参照のこと。  
 AFTER MATING: SEE TABLE 1.

嵌合時寸法: 巾(mm)×高さ(mm)  
 DIMENSIONS AFTER MATING: WIDE(mm) x HEIGHT(mm)

DIP TYPE	MATING COUNTER CONN 嵌合相手側コネクタ POST HDR ASSY		REC HDR ASSY SMT V TYPE WITH BOSS X-174639-X	
	製品型番	P/N	高さ H	
DIP TYPE	X-174643-X		3.95	5.6 (巾W) x 5.0 (高さH)
			5.95	5.6 (巾W) x 7.0 (高さH)
SMT TYPE	ボス無 WITHOUT BOSS	X-174645-X	3.95	5.6 (巾W) x 6.5 (高さH)
	ボス付 WITH BOSS	X-174821-X	5.45	5.6 (巾W) x 6.5 (高さH)
			5.95	5.6 (巾W) x 7.0 (高さH)
	ボス無 WITHOUT BOSS	X-178041-X	9.35	7.0 (巾W) x 10.5 (高さH)
	ボス付 WITH BOSS	X-176756-X		

TABLE 1 SMT TYPEは、巾及び高さ寸法に  
 SMT TYPE INCLUDE DIMENSIONS  
 半田付タイン部寸法を含みます。  
 OF SOLDER DIP TIME.



P.C.B MOUNTING LAYOUT  
 基板加工寸法  
 (適用基板厚: 0.6mm 最小)  
 (APPLICABLE P.C.B THK: 0.6mm MIN)

THIS DRAWING IS A CONTROLLED DOCUMENT.

DIMENSIONS: 単位: 耗 mm	TOLERANCES UNLESS OTHERWISE SPECIFIED: 一般公差
0-PLC ±	10以下: ±0.2
1-PLC ±	10以下: ±0.25
2-PLC ±	30以下: ±0.3
3-PLC ±	角: ±3'
4-PLC ±	
ANGLES ±3'	
MATERIAL 材料	FINISH 仕上
AS SHOWN 図中参照	AS SHOWN 図中参照

DWN	S.KANEKI	03JUL89
CHK	J.TANIGAWA	03JUL89
APVD	S.KIKUCHI	03JUL89
PRODUCT SPEC	製品規格	
APPLICATION SPEC	取付適用規格	
WEIGHT		

**STE** TE Connectivity

NAME 名称: 1.25 F-P コネクタ (基板対基板接続用)  
 2列仕様 リセ ヘッダー アッセンブリ (V)  
 サーフエスマウント タイプ 基板位置決め用ボス付

1.25 F-P CONNECTOR (B-TO-B) DOUBLE ROW REC HDR ASSY (V) SMT TYPE WITH BOSS

SIZE: A3 CAGE CODE: 00779 DRAWING NO: 174639

RESTRICTED TO: -

SCALE 尺度: 10:1 SHEET 1 OF 1 REV P1