



Chipsmall Limited consists of a professional team with an average of over 10 year of expertise in the distribution of electronic components. Based in Hongkong, we have already established firm and mutual-benefit business relationships with customers from,Europe,America and south Asia,supplying obsolete and hard-to-find components to meet their specific needs.

With the principle of “Quality Parts,Customers Priority,Honest Operation,and Considerate Service”,our business mainly focus on the distribution of electronic components. Line cards we deal with include Microchip,ALPS,ROHM,Xilinx,Pulse,ON,Everlight and Freescale. Main products comprise IC,Modules,Potentiometer,IC Socket,Relay,Connector.Our parts cover such applications as commercial,industrial, and automotives areas.

We are looking forward to setting up business relationship with you and hope to provide you with the best service and solution. Let us make a better world for our industry!



Contact us

Tel: +86-755-8981 8866 Fax: +86-755-8427 6832

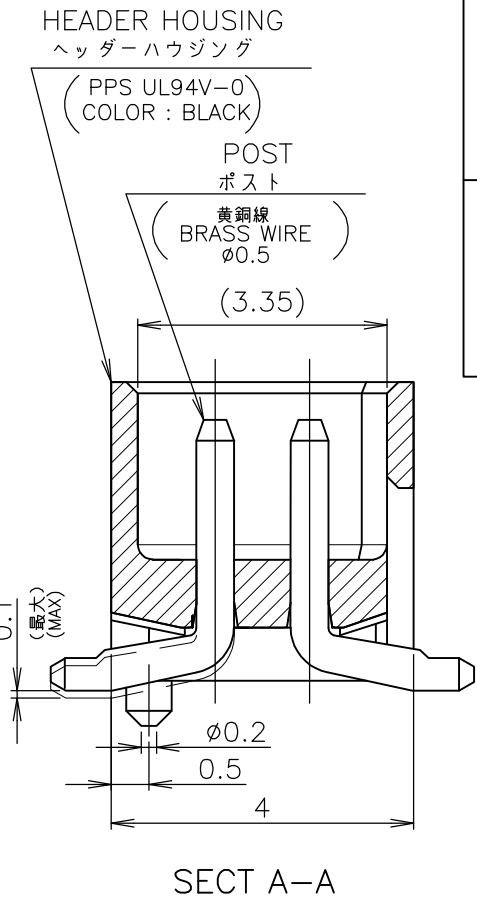
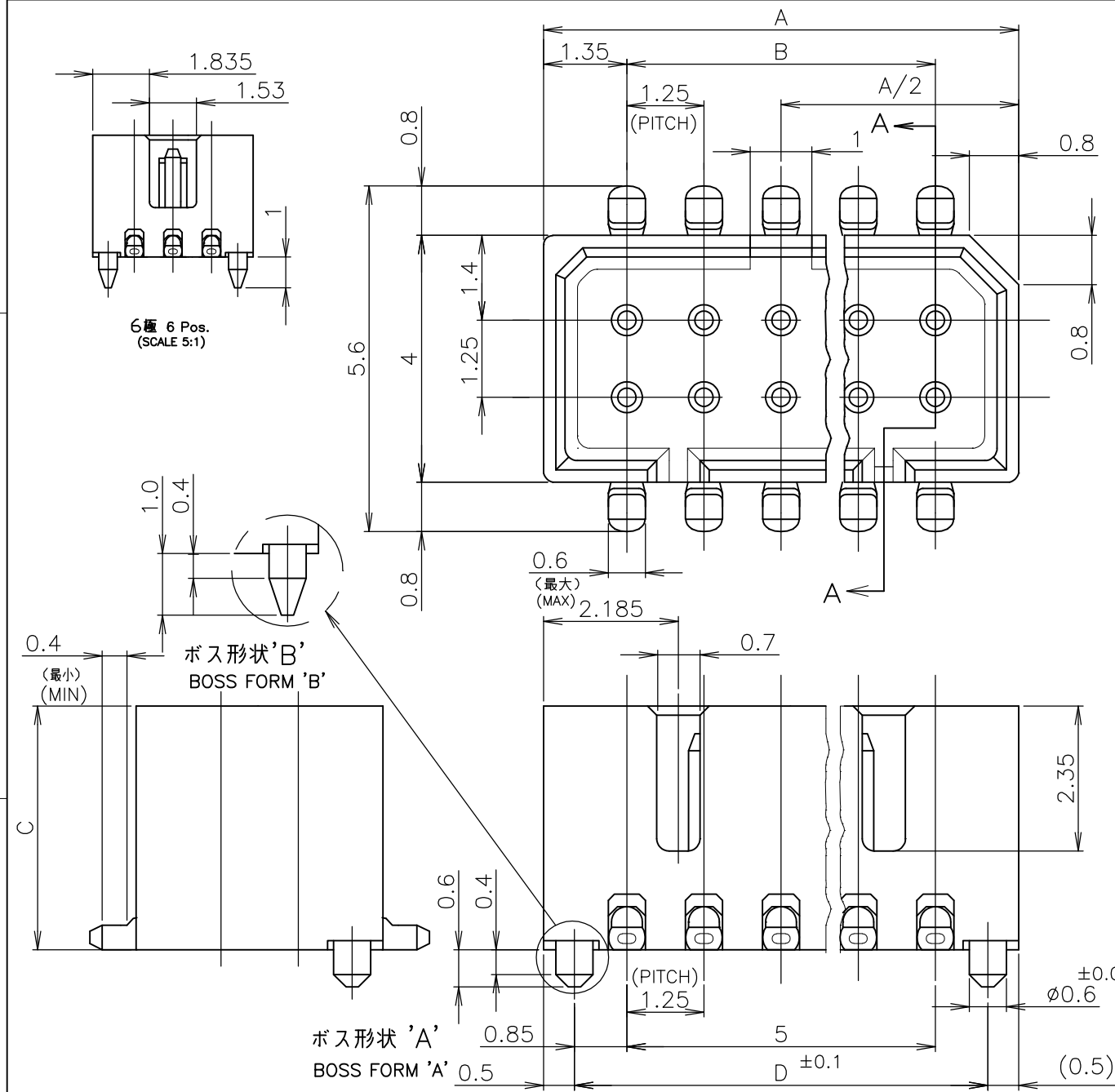
Email & Skype: info@chipsmall.com Web: www.chipsmall.com

Address: A1208, Overseas Decoration Building, #122 Zhenhua RD., Futian, Shenzhen, China



THIS DRAWING IS UNPUBLISHED. RELEASED FOR PUBLICATION
 © COPYRIGHT By - ALL RIGHTS RESERVED.

LOC	DIST	REVISIONS					
		P	LTR	DESCRIPTION	DATE	DWN	APVD
J		N1		REVISED PER ECO-11-005030	11MAR11	RK	HMR



注記 NOTE 1 嵌合相手製品型番及び、嵌合時寸法は MATING COUNTER PART NUMBER AND DIMENSIONS 表-1 参照のこと。 AFTER MATING: SEE TABLE 1.

仕上げ: 錫めっき(材料めっき)リフロー FINISH ; PLI-TIN REFLOW

仕上げ: ニッケル下地錫めっき(後めっき) FINISH ; TIN PL. Ni UNDER PL. ALL OVER

嵌合時寸法: 巾(mm)x高さ(mm)
DIMENSIONS AFTER MATING : WIDTH(mm) x HEIGHT(mm)

DIP TYPE	MATING COUNTER CONNECTION RECE HDR ASSY	SMT TYPE X-174821-X		
		ハウジング高さ C寸法 HOUSING HEIGHT C DIMENSIONS		
		3.95	5.45	5.95
V TYPE X-174635-X X-176870-X	ボス無 WITHOUT BOSS	5.6(巾W)x	5.6(巾W)x	5.6(巾W)x
	ボス付 WITH BOSS	5.0(高H)	6.5(高H)	7.0(高H)
H TYPE X-174636-X X-176892-X	ボス無 WITHOUT BOSS	5.6(巾W)x	5.6(巾W)x	5.6(巾W)x
	ボス付 WITH BOSS	5.8(高H)	7.3(高H)	7.8(高H)
V TYPE X-174904-X X-176768-X	ボス無 WITHOUT BOSS	5.6(巾W)x	5.6(巾W)x	5.6(巾W)x
	ボス付 WITH BOSS	5.0(高H)	6.5(高H)	7.0(高H)
H TYPE X-174905-X X-176893-X	ボス無 WITHOUT BOSS	5.6(巾W)x	5.6(巾W)x	5.6(巾W)x
	ボス付 WITH BOSS	6.9(高H)	7.9(高H)	8.9(高H)

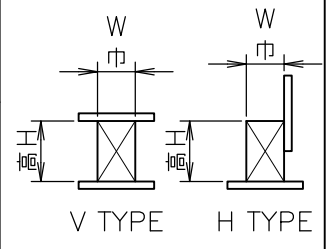
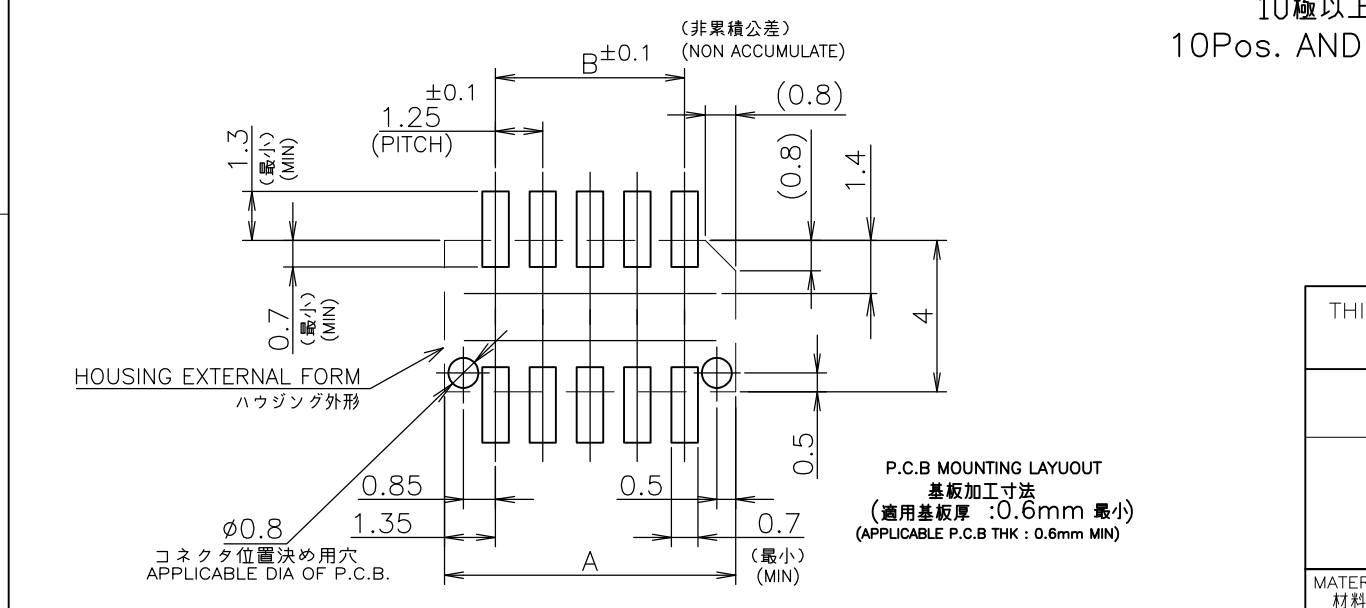


TABLE 1 表-1
SMT TYPEは、巾及び高さ寸法に SMT TYPE INCLUDE DIMENSIONS 半田付タイプ寸法を含みます。 OF SOLDER DIP TIME.

仕上げ FINISH	ボス形状 BOSS TYPE	D	C	B	A	極数 Pos.	型番 P/N
△3	'B'	10.45	↑	8.75	11.45	16	7- ↑ -6
△3	↑	7.95	5.95	6.25	8.95	12	7- -2
△3	↑	15.45	↑	13.75	16.45	24	5- -4
△3	↑	14.20	↑	12.50	15.20	22	5- -2
△3	↑	12.95	↑	11.25	13.95	20	5- -0
△3	↑	11.70	↑	10.00	12.70	18	4- -8
△3	'A'	10.45	↑	8.75	11.45	16	4- -6
△3	↑	9.20	↑	7.50	10.20	14	4- -4
△3	↑	7.95	↑	6.25	8.95	12	4- -2
△3	↑	6.70	↑	5.00	7.70	10	4- -0
△3	'B'	4.20	3.95	2.50	5.20	6	3- -6
△3	'A'	12.95	↑	11.25	13.95	20	2- -0
△3	'B'	10.45	↑	8.75	11.45	16	1- -6
△3	'A'	9.20	5.45	7.50	10.20	14	1-174821-4



THIS DRAWING IS A CONTROLLED DOCUMENT.

DWN S.KANEKI 16JAN90
CHK J.TANIGAWA 17JAN90
APVD S.KUBOUCHI 17JAN90

NAME 名称: 1.25 F-P CONNECTOR (B-TO-B) DOUBLE ROW POST HDR ASSY SMT TYPE WITH BOSS

PRODUCT SPEC 製品規格: 108-5246

APPLICATION SPEC 取付適用規格

WEIGHT

MATERIAL 材料: △4
FINISH 仕上: △3

SCALE 尺度: 10:1
SHEET 1 OF 1
REV N1

CUSTOMER DRAWING