



Chipsmall Limited consists of a professional team with an average of over 10 year of expertise in the distribution of electronic components. Based in Hongkong, we have already established firm and mutual-benefit business relationships with customers from,Europe,America and south Asia,supplying obsolete and hard-to-find components to meet their specific needs.

With the principle of “Quality Parts,Customers Priority,Honest Operation,and Considerate Service”,our business mainly focus on the distribution of electronic components. Line cards we deal with include Microchip,ALPS,ROHM,Xilinx,Pulse,ON,Everlight and Freescale. Main products comprise IC,Modules,Potentiometer,IC Socket,Relay,Connector.Our parts cover such applications as commercial,industrial, and automotives areas.

We are looking forward to setting up business relationship with you and hope to provide you with the best service and solution. Let us make a better world for our industry!



## Contact us

Tel: +86-755-8981 8866 Fax: +86-755-8427 6832

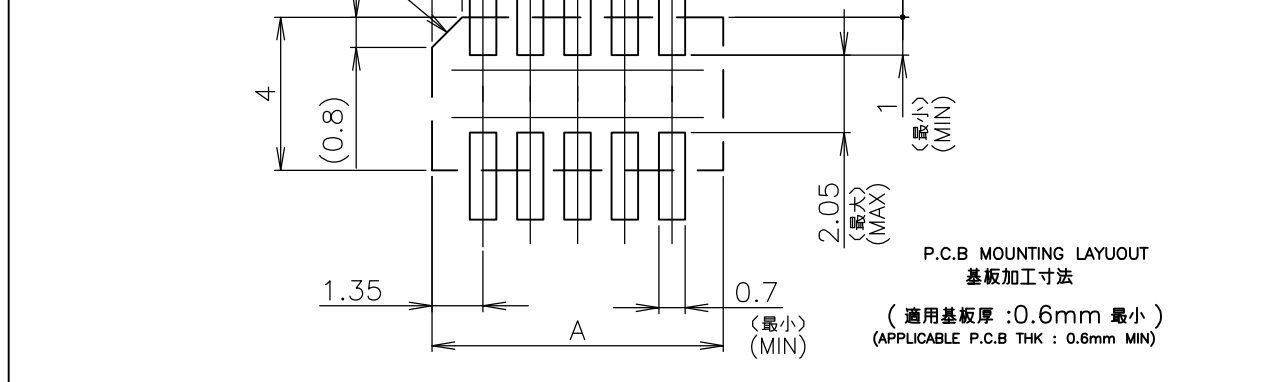
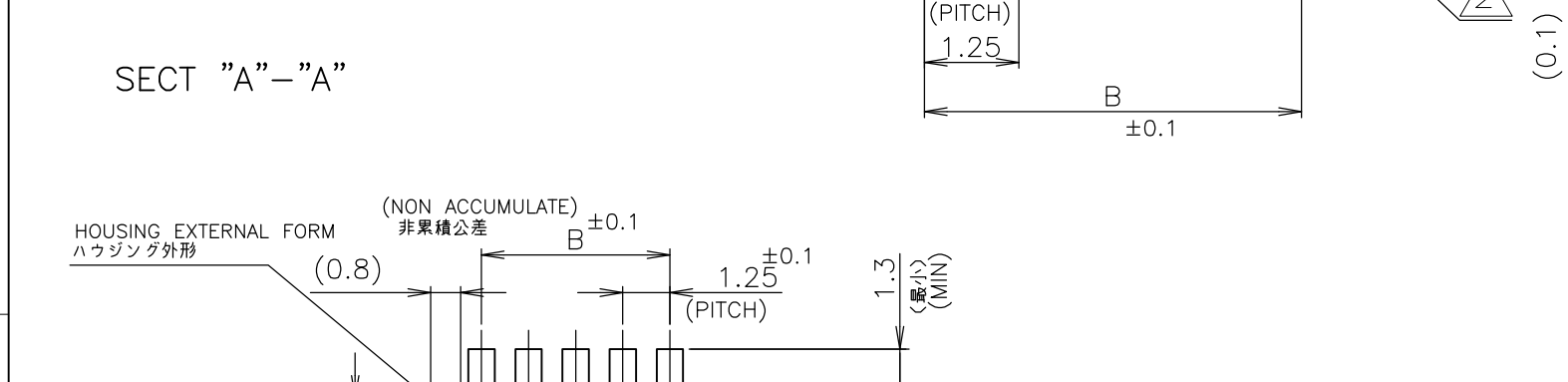
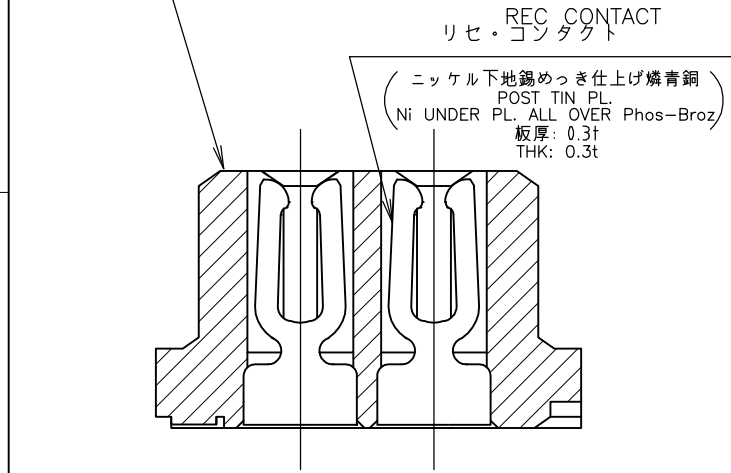
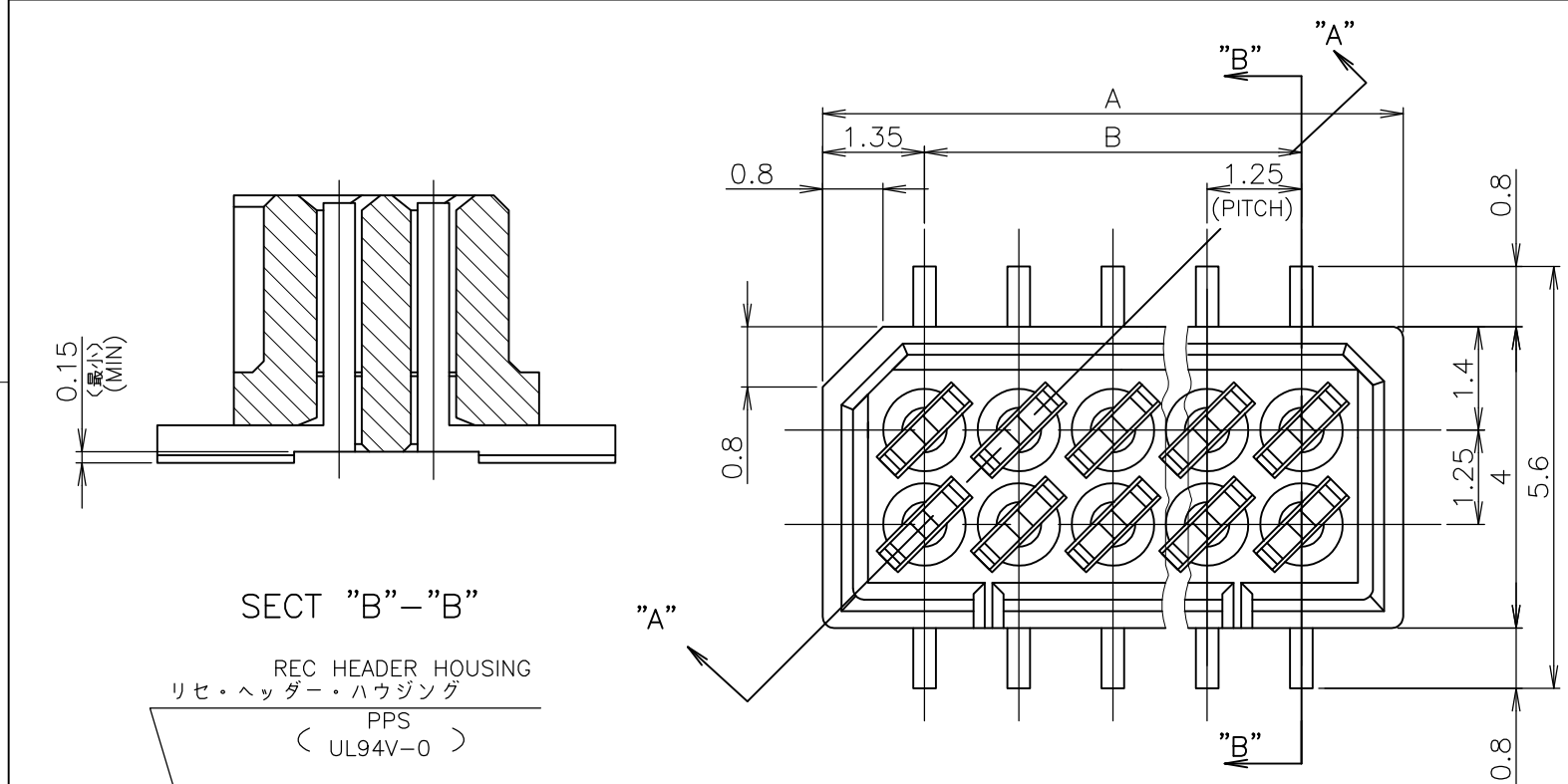
Email & Skype: info@chipsmall.com Web: www.chipsmall.com

Address: A1208, Overseas Decoration Building, #122 Zhenhua RD., Futian, Shenzhen, China



THIS DRAWING IS UNPUBLISHED. RELEASED FOR PUBLICATION ? . ? .  
 © COPYRIGHT ? By Tyco Electronics Japan G.K. ALL RIGHTS RESERVED.

LOC	DIST	REVISIONS					
		P	LTR	DESCRIPTION	DATE	DWN	APVD
J		L		REVISED ECR-14-010014	20NOV2014	I.T	W.H



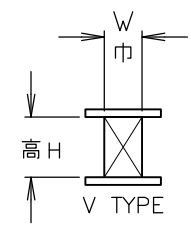
NOTES  
 1 嵌合相手製品型番及び、嵌合時寸法は  
 MATING COUNTER PART NUMBER AND DIMENSIONS  
 表-1 参照のこと。  
 AFTER MATING: SEE TABLE 1.

嵌合時寸法: 巾(mm)×高さ(mm)  
DIMENSIONS AFTER MATING: WIDE(mm) x HEIGHT(mm)

DIP TYPE	MATING COUNTER CONN 嵌合相手側コネクタ POST HDR ASSY		REC HDR ASSY SMT V TYPE WITHOUT BOSS X-174604-X	
	製品型番	P/N	高さ H	
DIP TYPE	X-174643-X		3.95	4.0 (巾W) x 5.0 (高さH)
			5.95	4.0 (巾W) x 7.0 (高さH)
SMT TYPE	ボス無 WITHOUT BOSS X-174645-X ボス付 WITH BOSS X-174821-X		3.95	5.6 (巾W) x 5.0 (高さH)
			5.45	5.6 (巾W) x 6.5 (高さH)
			5.95	5.6 (巾W) x 7.0 (高さH)
SMT TYPE	ボス無 WITHOUT BOSS X-178040-X ボス付 WITH BOSS X-176756-X		9.35	7.0 (巾W) x 10.5 (高さH)

TABLE 1 SMT TYPEは、巾及び高さ寸法に  
 SMT TYPE INCLUDE DIMENSIONS  
 半田付タイプ寸法を含みます。  
 OF SOLDER DIP TYPE.

2 基板位置決め用ボス切断跡。  
 CUT MARK OF POSITIONER BOSS.



OBSOLETE			11.25	13.95	20	5-	-0
			10.00	12.70	18	4-	-8
			8.75	11.45	16	4-	-6
			7.50	10.20	14	4-	-4
			6.25	8.95	12	4-	-2
			5.00	7.70	10	4-	-0
	黒色 BLACK		2.50	5.20	6	3-	174904-6
OBSOLETE	色別 COLOR	B	A	極数 Pos.		型番 P/N	

THIS DRAWING IS A CONTROLLED DOCUMENT.

DWN J.TANIGAWA 31MAY88	TE Connectivity 1.25 F-P CONNECTOR (B-TO-B) DOUBLE ROW REC HDR ASSY (V) SMT TYPE WITHOUT BOSS			
CHK S.KIKUCHI 31MAY88				
APVD N.ONOUE 31MAY88				
NAME 名称				
PRODUCT SPEC 製品規格	SIZE A3	CAGE CODE 00779	DRAWING NO C-174904	RESTRICTED TO
APPLICATION SPEC 取付適用規格	SCALE 尺度 10:1	SHEET 1 OF 1	REV L	
WEIGHT	CUSTOMER DRAWING			

MATERIAL 材料 AS SHOWN 図中参照  
 FINISH 仕上 AS SHOWN 図中参照