



Chipsmall Limited consists of a professional team with an average of over 10 year of expertise in the distribution of electronic components. Based in Hongkong, we have already established firm and mutual-benefit business relationships with customers from,Europe,America and south Asia,supplying obsolete and hard-to-find components to meet their specific needs.

With the principle of “Quality Parts,Customers Priority,Honest Operation,and Considerate Service”,our business mainly focus on the distribution of electronic components. Line cards we deal with include Microchip,ALPS,ROHM,Xilinx,Pulse,ON,Everlight and Freescale. Main products comprise IC,Modules,Potentiometer,IC Socket,Relay,Connector.Our parts cover such applications as commercial,industrial, and automotives areas.

We are looking forward to setting up business relationship with you and hope to provide you with the best service and solution. Let us make a better world for our industry!



Contact us

Tel: +86-755-8981 8866 Fax: +86-755-8427 6832

Email & Skype: info@chipsmall.com Web: www.chipsmall.com

Address: A1208, Overseas Decoration Building, #122 Zhenhua RD., Futian, Shenzhen, China



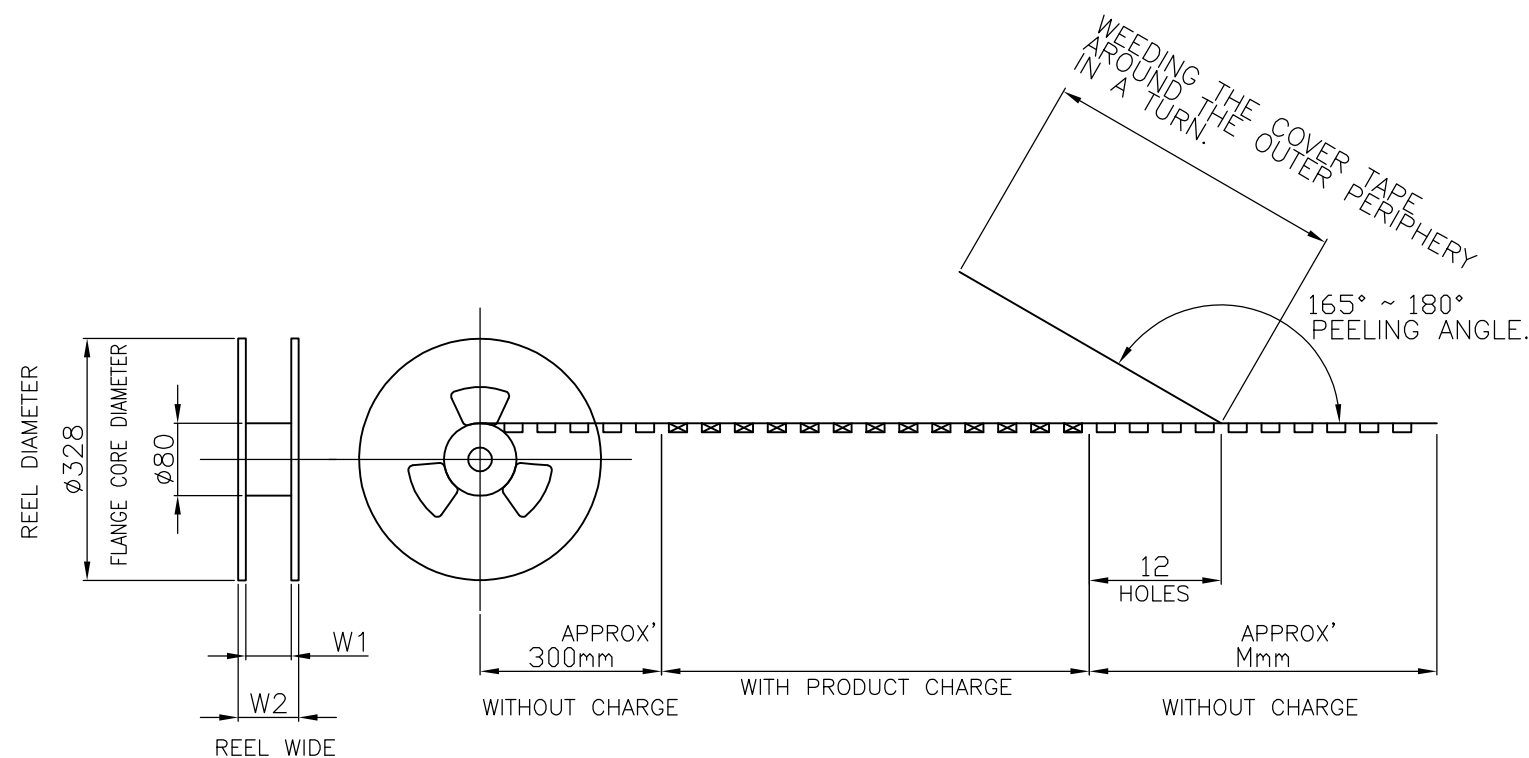
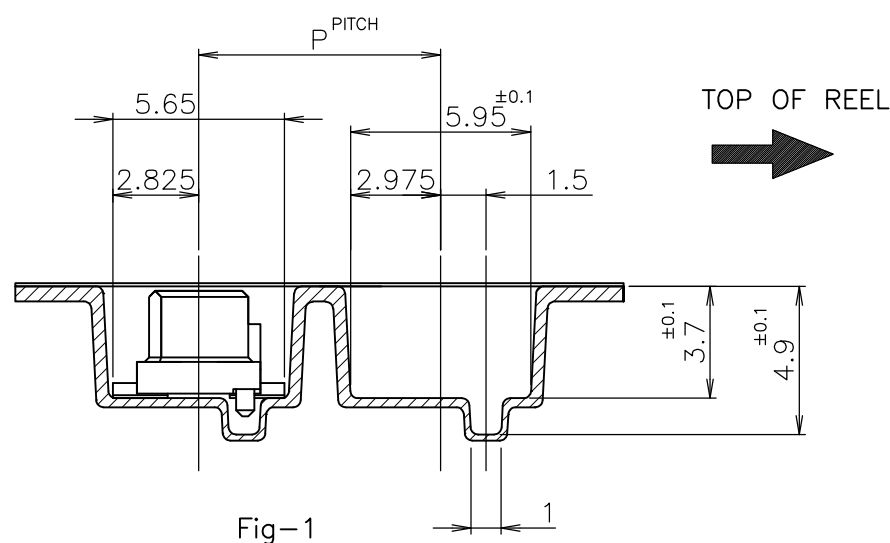
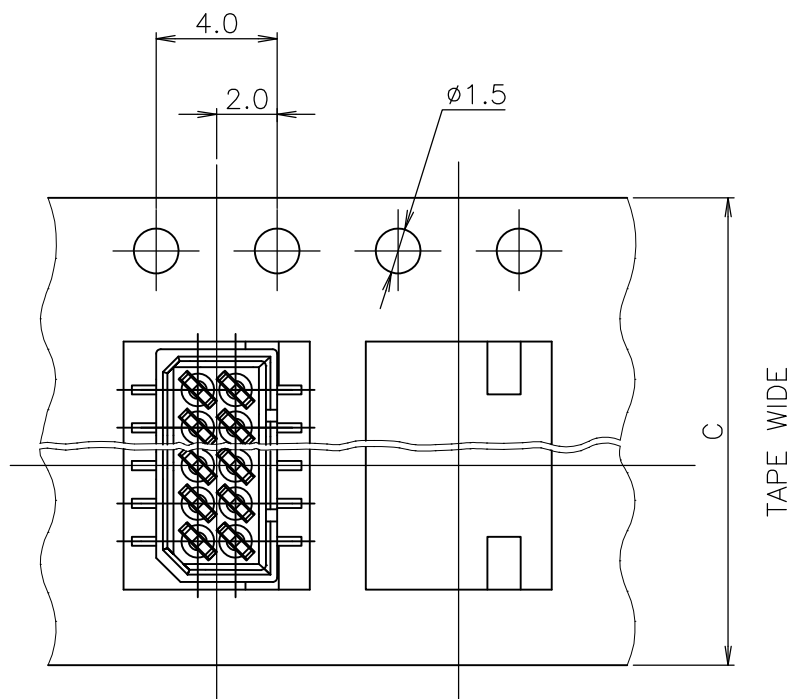
THIS DRAWING IS UNPUBLISHED.

RELEASED FOR PUBLICATION

REVISIONS

© COPYRIGHT By - ALL RIGHTS RESERVED.


P	LTR	DESCRIPTION	DATE	DWN	APVD
	J	REVISED PER ECR-16-013051	14SEP2016	WL	SY



NOTES;
▲ PACKING SPEC : 107-5123-1

							20	2-	▲	-4	5-	▲	-0	5-	▲	-0
							18	2-		-3	4-		-8	4-		-8
	29	26	600	12	24	1000	16			-9	4-		-6	4-		-6
	▲	▲	▲	▲	▲	▲	14	2-		-2	4-		-4	4-		-4
							12			-8	4-		-2	4-		-2
							10	1-720999-1		4-			-0	4-		-0
	21	18	300	8	16	1500	6	1-912050-3		3-174639-6			3-175638-6			
	W ₂	W ₁	M	P	C	QTY/REEL	Pos.	EMBOSS TAPE P/N		CONNECTOR P/N			TAPING P/N			

WITHOUT POLYAMIDE TAPE

THIS DRAWING IS A CONTROLLED DOCUMENT.		DWN J.TANIGAWA 28MAY88	 TE Connectivity			
DIMENSIONS: mm		CHK S.KIKUCHI 30MAY88				
TOLERANCES UNLESS OTHERWISE SPECIFIED:		APVD N.ONOUE 30MAY88	NAME			
Ø PLC ± 1 PLC ± 2 PLC ± 3 PLC ± 4 PLC ± ANGLES ± FINISH ±		PRODUCT SPEC	ON TAPING 1.25 F-P CONNECTOR DOUBLE ROW REC HDR ASS'Y (V) SMT TYPE WITH BOSS			
MATERIAL		APPLICATION SPEC	SIZE	CAGE CODE	DRAWING NO	RESTRICTED TO
		WEIGHT 0.000000	A3	00779	C-175638	-
		CUSTOMER DRAWING	SCALE 4:1	SHEET 1 OF 2	REV J	

THIS DRAWING IS UNPUBLISHED. RELEASED FOR PUBLICATION
 © COPYRIGHT By - ALL RIGHTS RESERVED.

REVISIONS					
P	LTR	DESCRIPTION	DATE	DWN	APVD
-	-	SEE SHEET 1	-	-	-

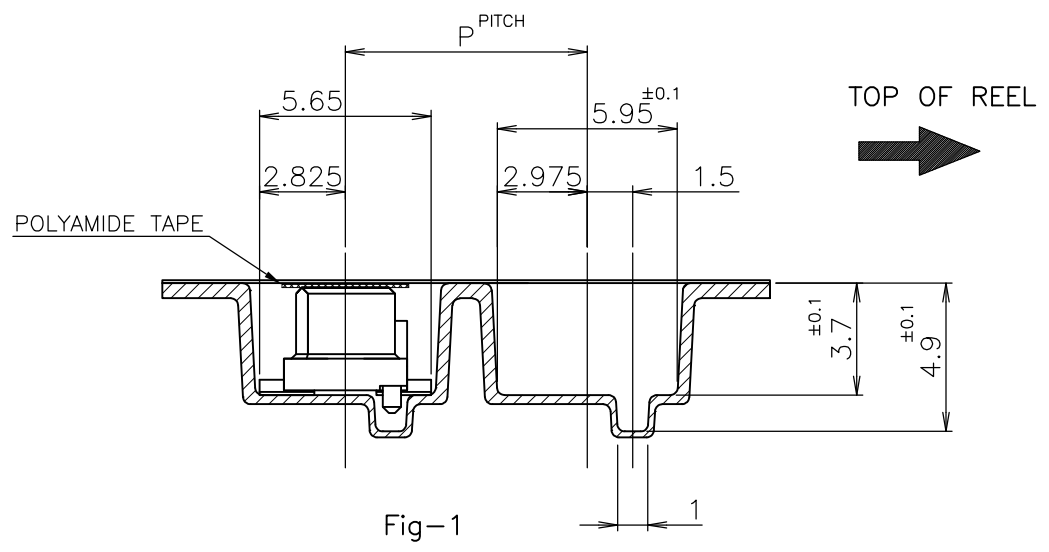
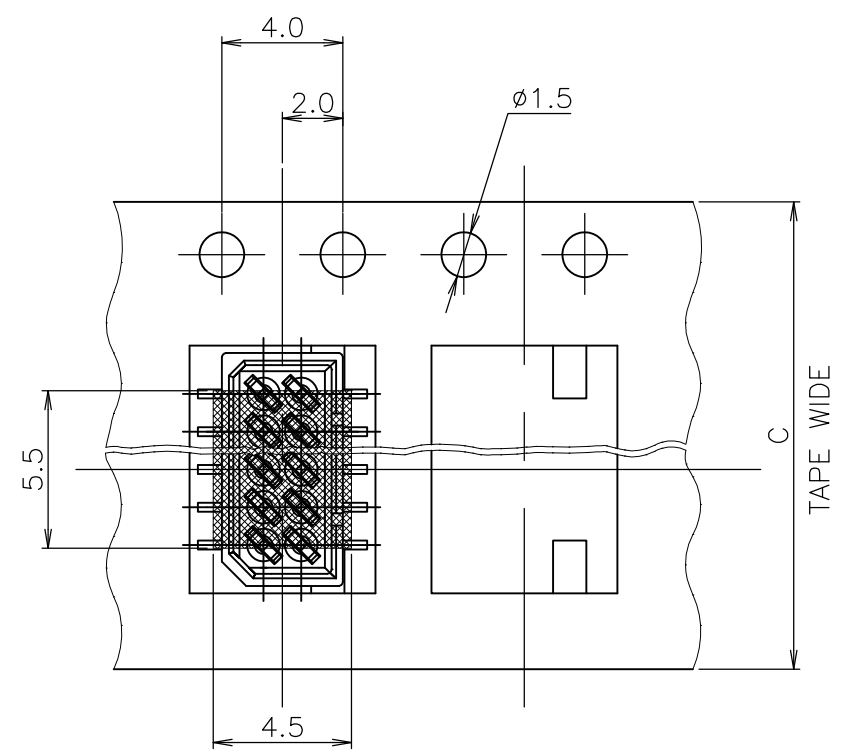
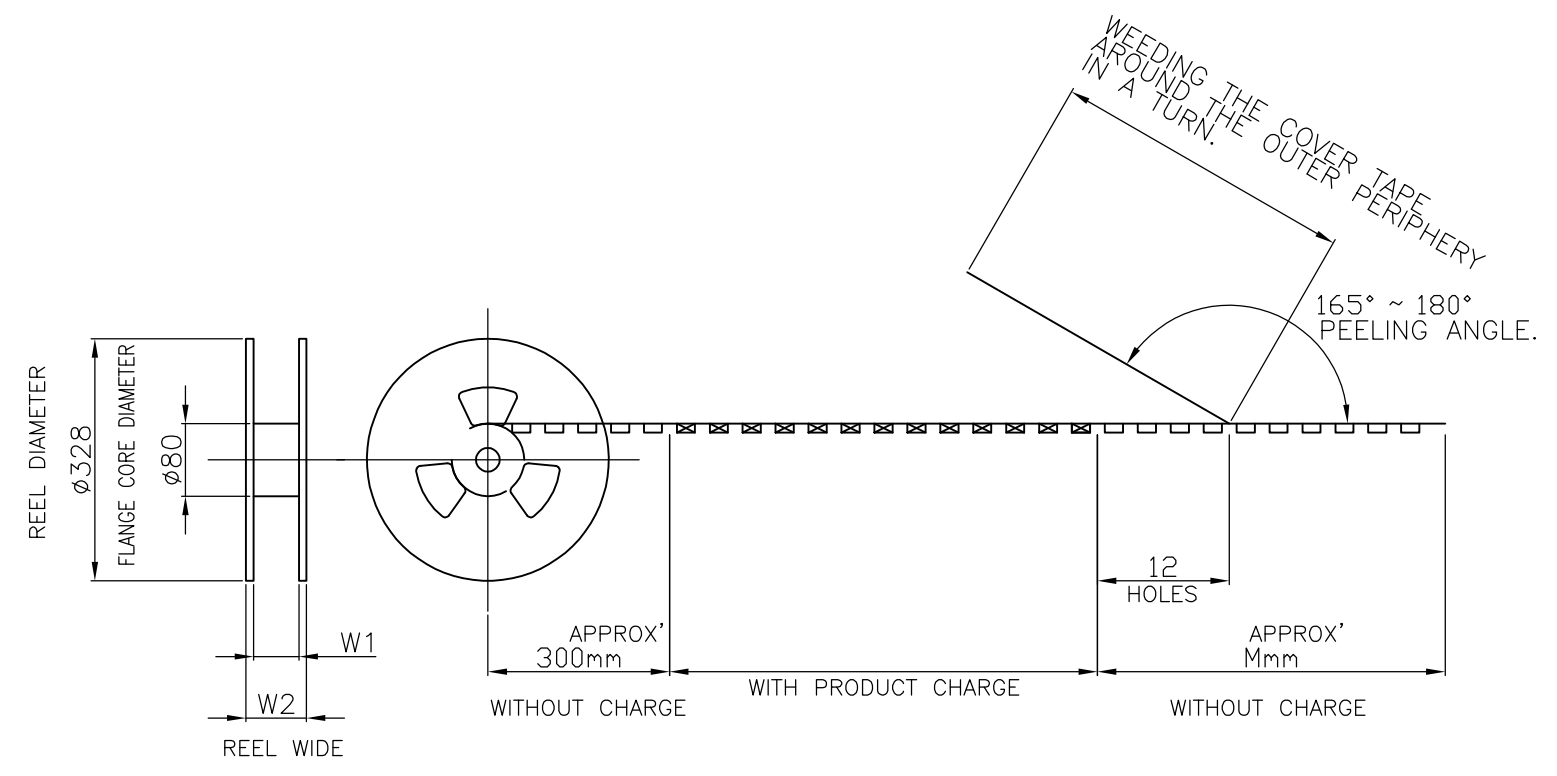


Fig-1

WITH POLYAMIDE TAPE



NOTES;
 ▲ PACKING SPEC : 107-5123-1

↑	↑	↑	↑	↑	↑	20	2-	↑	4	5-	↑	0	7-	↑	0
						18	2-		3	4-		8	6-		8
29	26	600	12	24	1000	16			9	4-		6	6-		6
↑	↑	↑	↑	↑	↑	14	2-		2	4-		4	6-		4
						12			8	4-		2	6-		2
						10	1-720999-1			4-		0	6-		0
21	18	300	8	16	1500	6	1-912050-3			3-174639-6			5-175638-6		
W ₂	W ₁	M	P	C	QTY/REEL	Pos.	EMBOSS TAPE P/N			CONNECTOR P/N			TAPING P/N		

THIS DRAWING IS A CONTROLLED DOCUMENT.		DWN J.TANIGAWA 28MAY88	TE Connectivity			
DIMENSIONS: mm		CHK S.KIKUCHI 30MAY88				
TOLERANCES UNLESS OTHERWISE SPECIFIED:		APVD N.ONOUE 30MAY88	NAME			
0-PLC ± 1-PLC ± 2-PLC ± 3-PLC ± 4-PLC ± ANGLES ± FINISH		PRODUCT SPEC	ON TAPING 1.25 F-P CONNECTOR DOUBLE ROW REC HDR ASS'Y (V) SMT TYPE WITH BOSS			
MATERIAL		APPLICATION SPEC	SIZE	CAGE CODE	DRAWING NO	RESTRICTED TO
		WEIGHT 0.000000	A3	00779	C-175638	-
		CUSTOMER DRAWING	SCALE 4:1	SHEET 2 OF 2	REV J	