



Chipsmall Limited consists of a professional team with an average of over 10 year of expertise in the distribution of electronic components. Based in Hongkong, we have already established firm and mutual-benefit business relationships with customers from,Europe,America and south Asia,supplying obsolete and hard-to-find components to meet their specific needs.

With the principle of “Quality Parts,Customers Priority,Honest Operation,and Considerate Service”,our business mainly focus on the distribution of electronic components. Line cards we deal with include Microchip,ALPS,ROHM,Xilinx,Pulse,ON,Everlight and Freescale. Main products comprise IC,Modules,Potentiometer,IC Socket,Relay,Connector.Our parts cover such applications as commercial,industrial, and automotives areas.

We are looking forward to setting up business relationship with you and hope to provide you with the best service and solution. Let us make a better world for our industry!



Contact us

Tel: +86-755-8981 8866 Fax: +86-755-8427 6832

Email & Skype: info@chipsmall.com Web: www.chipsmall.com

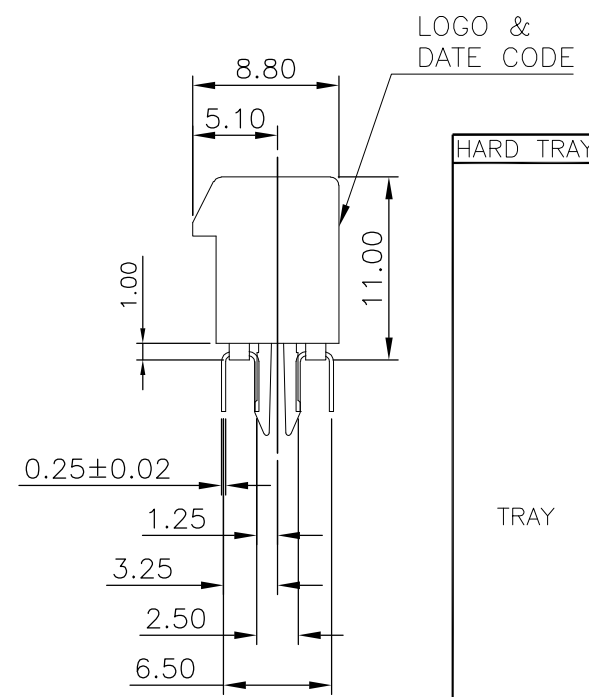
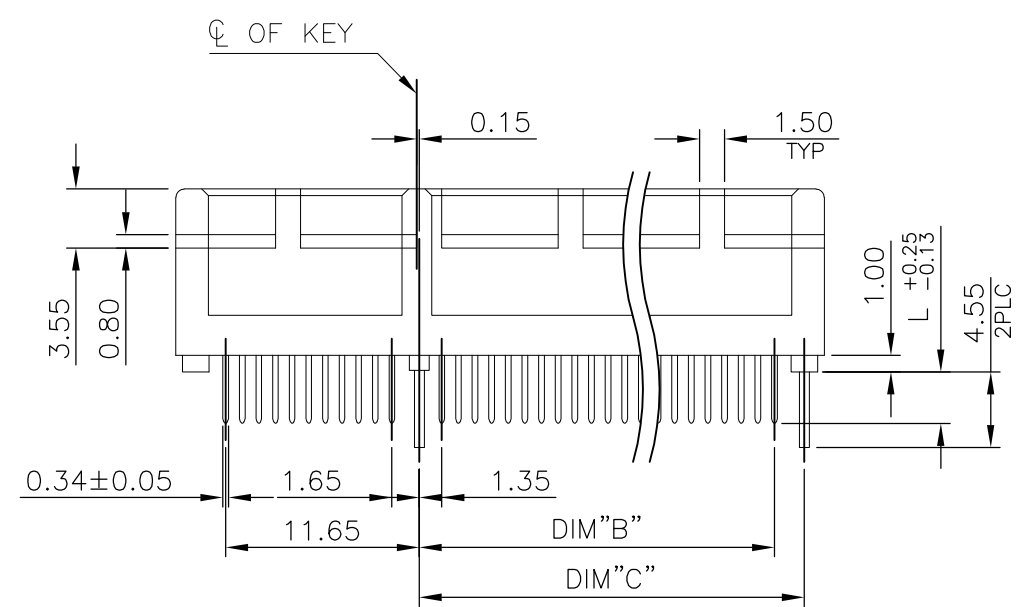
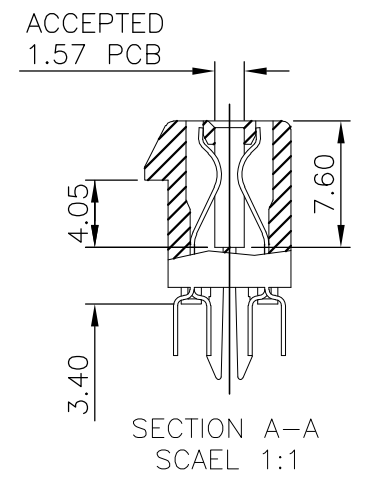
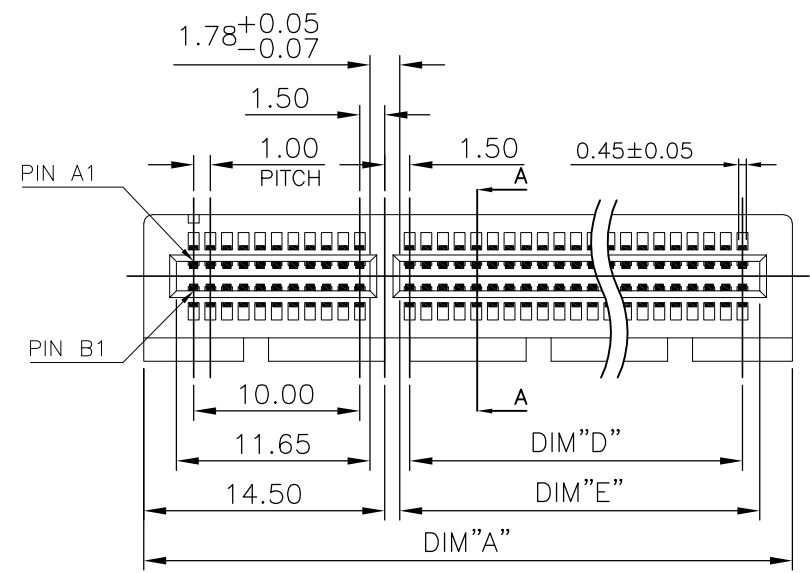
Address: A1208, Overseas Decoration Building, #122 Zhenhua RD., Futian, Shenzhen, China



THIS DRAWING IS UNPUBLISHED. RELEASED FOR PUBLICATION
 © COPYRIGHT - By - ALL RIGHTS RESERVED.

REVISIONS					
P	LTR	DESCRIPTION	DATE	DWN	APVD
D		ECR-16-014363	11OCT2016	FL	SY

- NOTE:
- MATERIAL:
 HOUSING (SEE TABLE): PA46 OR PA9T, UL94 V-0, COLOR: BLACK.
 CONTACTS: PHOSPHOR BRONZE.
 BOARDLOCK: BRASS.
 - FINISH:
 2.1 CONTACTS: (SEE TABLE) GOLD PLATED ON CONTACT AREA, 2.54um [100u"] MIN. MATTE-TIN ON SOLDER TAIL, WITH ENTIRE CONTACT UNDERPLATED 1.27um [50u"] MIN. NICKEL.
 2.2 BOARDLOCK: 2.54um [100u"] MATTE-TIN PLATING ALL OVER NICKEL 1.27um[50u"] MIN. UNDERPLATED OVERALL.
 - WAVE SOLDER CAPABLE TO 265°C MAX. PER TE SPEC. 109-202, CONDITION B.
 - WEIGHT:
 36 POS.: 2.55 GRAMS
 64 POS.: 3.90 GRAMS
 98 POS.: 5.50 GRAMS
 164 POS.: 8.80 GRAMS
 - REFLOW SOLDER CAPABLE TO 260°C PER TE SPEC. TEC-109-201, CONDITION B.

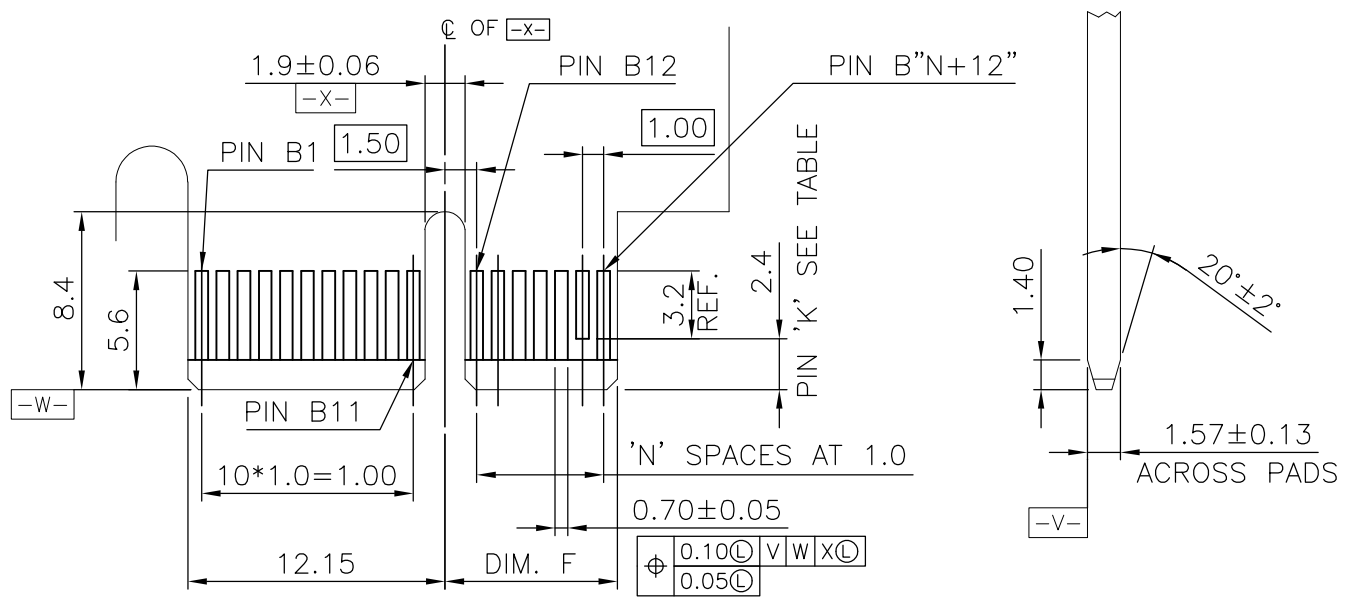


TRAY	NOTE	PA9T	2.30	0.381µm[15µ"] MIN.	71.65	70.0	73.15	71.35	89.0	164	6-	-2
HARD TRAY	NOTE 3 & 5	PA9T	3.10	0.762µm[30µ"] MIN.	71.65	70.0	73.15	71.35	89.0	164	5-	-2
				0.381µm[15µ"] MIN.							4-	-6
			2.30	GOLD FLASH	71.65	70.0	73.15	71.35	89.0	164	4-	-5
				0.762µm[30µ"] MIN.							4-	-4
			3.10	0.381µm[15µ"] MIN.	38.65	37.0	40.15	38.35	56.0	98	4-	-3
				GOLD FLASH							4-	-2
			2.30	0.762µm[30µ"] MIN.	38.65	37.0	40.15	38.35	56.0	98	4-	-1
				0.381µm[15µ"] MIN.							3-	-6
			3.10	GOLD FLASH	21.65	20.0	23.15	21.35	39.0	64	3-	-5
				0.762µm[30µ"] MIN.							3-	-4
			2.30	0.381µm[15µ"] MIN.	21.65	20.0	23.15	21.35	39.0	64	3-	-3
				GOLD FLASH							2-	-5
3.10	0.762µm[30µ"] MIN.	7.65	6.0	9.15	7.35	25.0	36	2-	-4			
	0.381µm[15µ"] MIN.							2-	-3			
2.30	GOLD FLASH	7.65	6.0	9.15	7.35	25.0	36	2-	-2			
	0.762µm[30µ"] MIN.							1-	-6			
3.10	0.381µm[15µ"] MIN.	7.65	6.0	9.15	7.35	25.0	36	1-	-5			
	GOLD FLASH							1-	-4			
2.30	0.762µm[30µ"] MIN.	7.65	6.0	9.15	7.35	25.0	36	1-	-3			
	0.381µm[15µ"] MIN.							1-	-2			
3.10	GOLD FLASH	7.65	6.0	9.15	7.35	25.0	36	1-	-1			
	0.762µm[30µ"] MIN.							1-	-2			
2.30	0.381µm[15µ"] MIN.	7.65	6.0	9.15	7.35	25.0	36	1-	-2			
	GOLD FLASH							1-	-2			
3.10	0.762µm[30µ"] MIN.	7.65	6.0	9.15	7.35	25.0	36	1-	-2			
	0.381µm[15µ"] MIN.							1-	-2			
2.30	GOLD FLASH	7.65	6.0	9.15	7.35	25.0	36	1-	-2			
	0.762µm[30µ"] MIN.							1-	-2			
3.10	0.381µm[15µ"] MIN.	7.65	6.0	9.15	7.35	25.0	36	1-	-2			
	GOLD FLASH							1-	-2			
2.30	0.762µm[30µ"] MIN.	7.65	6.0	9.15	7.35	25.0	36	1-	-2			
	0.381µm[15µ"] MIN.							1-	-2			
3.10	GOLD FLASH	7.65	6.0	9.15	7.35	25.0	36	1-	-2			
	0.762µm[30µ"] MIN.							1-	-2			
2.30	0.381µm[15µ"] MIN.	7.65	6.0	9.15	7.35	25.0	36	1-	-2			
	GOLD FLASH							1-	-2			
3.10	0.762µm[30µ"] MIN.	7.65	6.0	9.15	7.35	25.0	36	1-	-2			
	0.381µm[15µ"] MIN.							1-	-2			
2.30	GOLD FLASH	7.65	6.0	9.15	7.35	25.0	36	1-	-2			
	0.762µm[30µ"] MIN.							1-	-2			
3.10	0.381µm[15µ"] MIN.	7.65	6.0	9.15	7.35	25.0	36	1-	-2			
	GOLD FLASH							1-	-2			
2.30	0.762µm[30µ"] MIN.	7.65	6.0	9.15	7.35	25.0	36	1-	-2			
	0.381µm[15µ"] MIN.							1-	-2			
3.10	GOLD FLASH	7.65	6.0	9.15	7.35	25.0	36	1-	-2			
	0.762µm[30µ"] MIN.							1-	-2			
2.30	0.381µm[15µ"] MIN.	7.65	6.0	9.15	7.35	25.0	36	1-	-2			
	GOLD FLASH							1-	-2			
3.10	0.762µm[30µ"] MIN.	7.65	6.0	9.15	7.35	25.0	36	1-	-2			
	0.381µm[15µ"] MIN.							1-	-2			
2.30	GOLD FLASH	7.65	6.0	9.15	7.35	25.0	36	1-	-2			
	0.762µm[30µ"] MIN.							1-	-2			
3.10	0.381µm[15µ"] MIN.	7.65	6.0	9.15	7.35	25.0	36	1-	-2			
	GOLD FLASH							1-	-2			
2.30	0.762µm[30µ"] MIN.	7.65	6.0	9.15	7.35	25.0	36	1-	-2			
	0.381µm[15µ"] MIN.							1-	-2			
3.10	GOLD FLASH	7.65	6.0	9.15	7.35	25.0	36	1-	-2			
	0.762µm[30µ"] MIN.							1-	-2			
2.30	0.381µm[15µ"] MIN.	7.65	6.0	9.15	7.35	25.0	36	1-	-2			
	GOLD FLASH							1-	-2			
3.10	0.762µm[30µ"] MIN.	7.65	6.0	9.15	7.35	25.0	36	1-	-2			
	0.381µm[15µ"] MIN.							1-	-2			
2.30	GOLD FLASH	7.65	6.0	9.15	7.35	25.0	36	1-	-2			
	0.762µm[30µ"] MIN.							1-	-2			
3.10	0.381µm[15µ"] MIN.	7.65	6.0	9.15	7.35	25.0	36	1-	-2			
	GOLD FLASH							1-	-2			
2.30	0.762µm[30µ"] MIN.	7.65	6.0	9.15	7.35	25.0	36	1-	-2			
	0.381µm[15µ"] MIN.							1-	-2			
3.10	GOLD FLASH	7.65	6.0	9.15	7.35	25.0	36	1-	-2			
	0.762µm[30µ"] MIN.							1-	-2			
2.30	0.381µm[15µ"] MIN.	7.65	6.0	9.15	7.35	25.0	36	1-	-2			
	GOLD FLASH							1-	-2			
3.10	0.762µm[30µ"] MIN.	7.65	6.0	9.15	7.35	25.0	36	1-	-2			
	0.381µm[15µ"] MIN.							1-	-2			
2.30	GOLD FLASH	7.65	6.0	9.15	7.35	25.0	36	1-	-2			
	0.762µm[30µ"] MIN.							1-	-2			
3.10	0.381µm[15µ"] MIN.	7.65	6.0	9.15	7.35	25.0	36	1-	-2			
	GOLD FLASH							1-	-2			
2.30	0.762µm[30µ"] MIN.	7.65	6.0	9.15	7.35	25.0	36	1-	-2			
	0.381µm[15µ"] MIN.							1-	-2			
3.10	GOLD FLASH	7.65	6.0	9.15	7.35	25.0	36	1-	-2			
	0.762µm[30µ"] MIN.							1-	-2			
2.30	0.381µm[15µ"] MIN.	7.65	6.0	9.15	7.35	25.0	36	1-	-2			
	GOLD FLASH							1-	-2			
3.10	0.762µm[30µ"] MIN.	7.65	6.0	9.15	7.35	25.0	36	1-	-2			
	0.381µm[15µ"] MIN.							1-	-2			
2.30	GOLD FLASH	7.65	6.0	9.15	7.35	25.0	36	1-	-2			
	0.762µm[30µ"] MIN.							1-	-2			
3.10	0.381µm[15µ"] MIN.	7.65	6.0	9.15	7.35	25.0	36	1-	-2			
	GOLD FLASH							1-	-2			
2.30	0.762µm[30µ"] MIN.	7.65	6.0	9.15	7.35	25.0	36	1-	-2			
	0.381µm[15µ"] MIN.							1-	-2			
3.10	GOLD FLASH	7.65	6.0	9.15	7.35	25.0	36	1-	-2			
	0.762µm[30µ"] MIN.							1-	-2			
2.30	0.381µm[15µ"] MIN.	7.65	6.0	9.15	7.35	25.0	36	1-	-2			
	GOLD FLASH							1-	-2			
3.10	0.762µm[30µ"] MIN.	7.65	6.0	9.15	7.35	25.0	36	1-	-2			
	0.381µm[15µ"] MIN.							1-	-2			
2.30	GOLD FLASH	7.65	6.0	9.15	7.35	25.0	36	1-	-2			
	0.762µm[30µ"] MIN.							1-	-2			
3.10	0.381µm[15µ"] MIN.	7.65	6.0	9.15	7.35	25.0	36	1-	-2			
	GOLD FLASH							1-	-2			
2.30	0.762µm[30µ"] MIN.	7.65	6.0	9.15	7.35	25.0	36	1-	-2			
	0.381µm[15µ"] MIN.							1-	-2			
3.10	GOLD FLASH	7.65	6.0	9.15	7.35	25.0	36	1-	-2			
	0.762µm[30µ"] MIN.							1-	-2			
2.30	0.381µm[15µ"] MIN.	7.65	6.0	9.15	7.35	25.0	36	1-	-2			
	GOLD FLASH							1-	-2			
3.10	0.762µm[30µ"] MIN.	7.65	6.0	9.15	7.35	25.0	36	1-	-2			
	0.381µm[15µ"] MIN.							1-	-2			
2.30	GOLD FLASH	7.65	6.0	9.15	7.35	25.0	36	1-	-2			
	0.762µm[30µ"] MIN.							1-	-2			
3.10	0.381µm[15µ"] MIN.	7.65	6.0	9.15	7.35	25.0	36	1-	-2			
	GOLD FLASH							1-	-2			
2.30	0.762µm[30µ"] MIN.	7.65	6.0	9.15	7.35	25.0	36	1-	-2			
	0.381µm[15µ"] MIN.							1-	-2			
3.10	GOLD FLASH	7.65	6.0	9.15	7.35	25.0	36	1-	-2			
	0.762µm[30µ"] MIN.							1-	-2			
2.30	0.381µm[15µ"] MIN.	7.65	6.0	9.15	7.35	25.0	36	1-	-2			
	GOLD FLASH							1-	-2			
3.10	0.762µm[30µ"] MIN.	7.65	6.0	9.15	7.35	25.0	36	1-	-2			
	0.381µm[15µ"] MIN.							1-	-2			
2.30	GOLD FLASH	7.65	6.0	9.15	7.35	25.0	36	1-	-2			
	0.762µm[30µ"] MIN.							1-	-2			
3.10	0.381µm[15µ"] MIN.	7.65	6.0	9.15	7.35	25.0	36	1-	-2			
	GOLD FLASH							1-	-2			
2.30	0.762µm[30µ"] MIN.	7.65	6.0	9.15	7.35	25.0	36	1-	-2			
	0.381µm[15µ"] MIN.							1-	-2			
3.10	GOLD FLASH	7.65	6.0	9.15	7.35	25.0	36	1-	-2			
	0.762µm[30µ"] MIN.							1-	-2			
2.30	0.381µm[15µ"] MIN.	7.65	6.0	9.15	7.35	25.0	36	1-	-2			
	GOLD FLASH							1-	-2			
3.10	0.762µm[30µ"] MIN.	7.65	6.0	9.15	7.35	25.0	36	1-	-2			
	0.381µm[15µ"] MIN.							1-	-2			
2.30	GOLD FLASH	7.65	6.0	9.15	7.35	25.0	36	1-	-2			
	0.7											

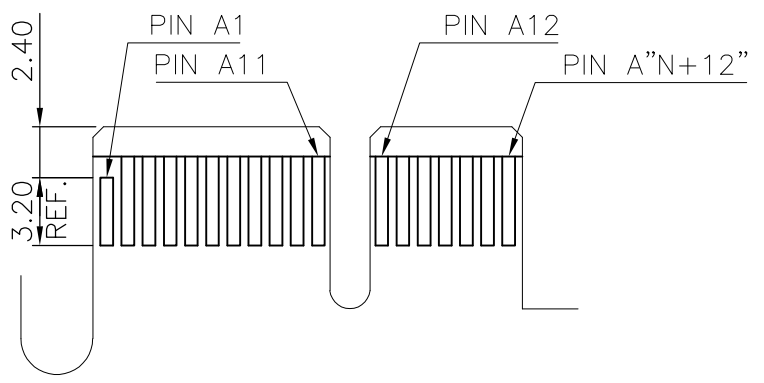
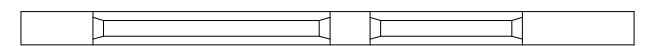
THIS DRAWING IS UNPUBLISHED. RELEASED FOR PUBLICATION
 © COPYRIGHT - By - ALL RIGHTS RESERVED.

P	LTR	DESCRIPTION	DATE	DWN	APVD
-	-	SEE SHEET 1	-	-	-

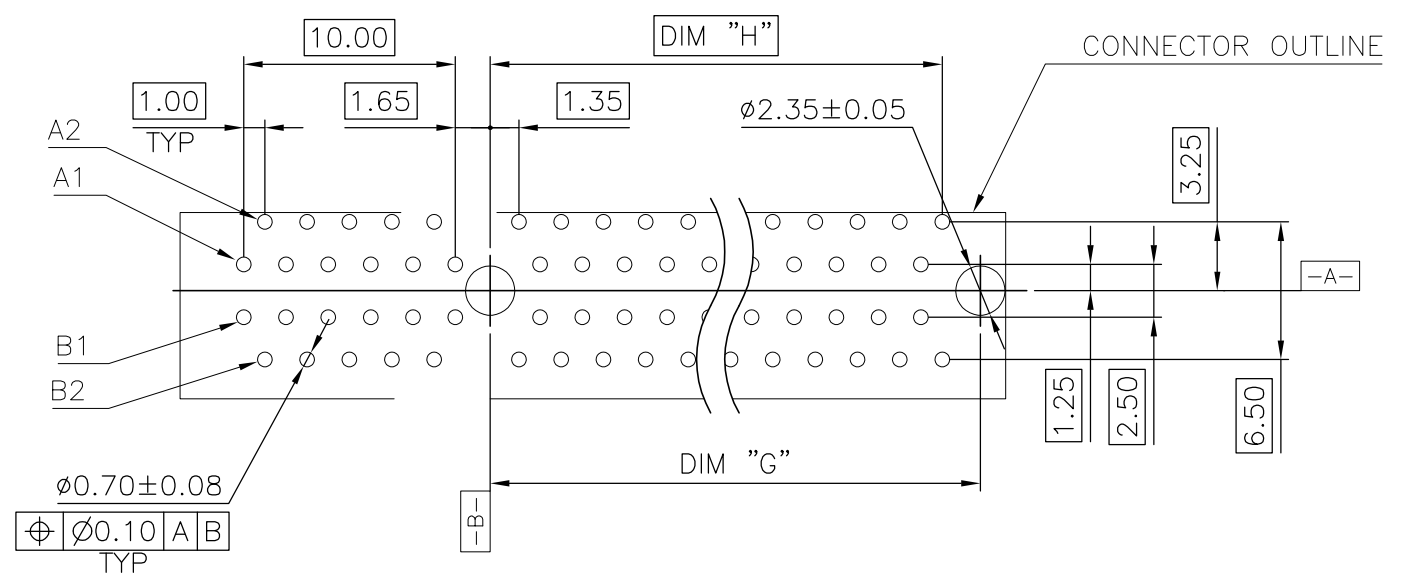
1. NO TIE BAR PERMITTED FROM CARD EDGE TO LEADING EDGE OF PAD FOR PINS A1 AND "K"
2. CHAMFER EDGE MUST BE FREE OF CUTTING BURRS



I/O PANEL DIRECTION
 PRIMARY (COMPONENT) SIDE



SECONDARY (SOLDER) SIDE



RECOMMENDED PCB LAYOUT

TOLERANCE: ±0.05
 DIM.L=3.1mm THICKNESS: 2.4mm
 DIM.L=2.3mm THICKNESS: 1.6mm

POS.	N	DIM. F	DIM. G	DIM. H	"K"
36	6	8.15	9.15	7.35	B17
64	20	22.15	23.15	21.35	B17,B31
98	37	39.15	40.15	38.35	B17,B31,B48
164	70	72.15	73.15	71.35	B17,B31,B48,B81

THIS DRAWING IS A CONTROLLED DOCUMENT.		DWN B. HSING 21MAY2009	TE Connectivity														
DIMENSIONS: mm		CHK S. CHIEN 21MAY2009															
TOLERANCES UNLESS OTHERWISE SPECIFIED:		APVD W. KODAMA 21MAY2009	NAME														
<table border="0"> <tr><td>0 PLC</td><td>± -</td></tr> <tr><td>1 PLC</td><td>± 0.3</td></tr> <tr><td>2 PLC</td><td>± 0.2</td></tr> <tr><td>3 PLC</td><td>± 0.15</td></tr> <tr><td>4 PLC</td><td>± -</td></tr> <tr><td>ANGLES</td><td>± 3°</td></tr> </table>		0 PLC	± -	1 PLC	± 0.3	2 PLC	± 0.2	3 PLC	± 0.15	4 PLC	± -	ANGLES	± 3°	PRODUCT SPEC	PCI EXPRESS CARD EDGE CONNECTOR VERTICAL, DIP TYPE,(BOARD-LOCK FUNCTION)		
0 PLC	± -																
1 PLC	± 0.3																
2 PLC	± 0.2																
3 PLC	± 0.15																
4 PLC	± -																
ANGLES	± 3°																
MATERIAL		APPLICATION SPEC	SIZE	CAGE CODE	DRAWING NO	RESTRICTED TO											
-		FINISH	-	-	A300779	C-1775801											
CUSTOMER DRAWING			WEIGHT	0	SCALE 1:1 SHEET 2 OF 4 REV D												

THIS DRAWING IS UNPUBLISHED.

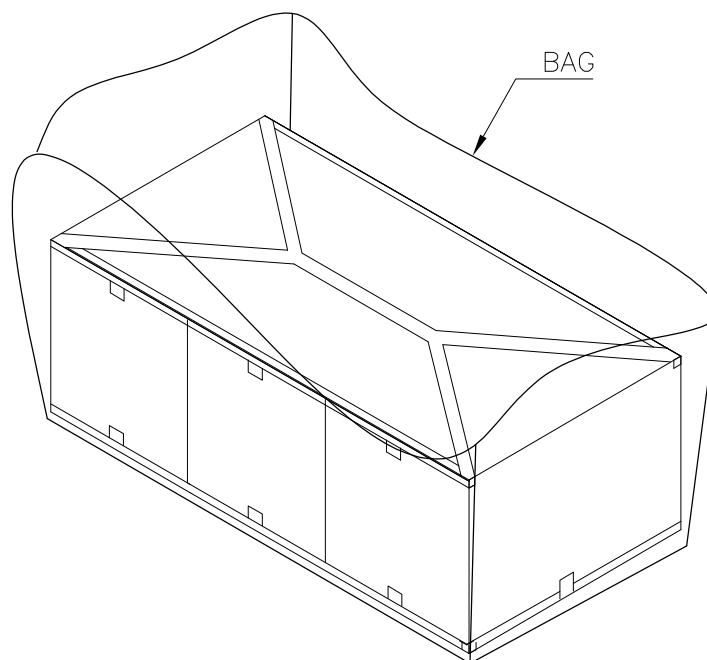
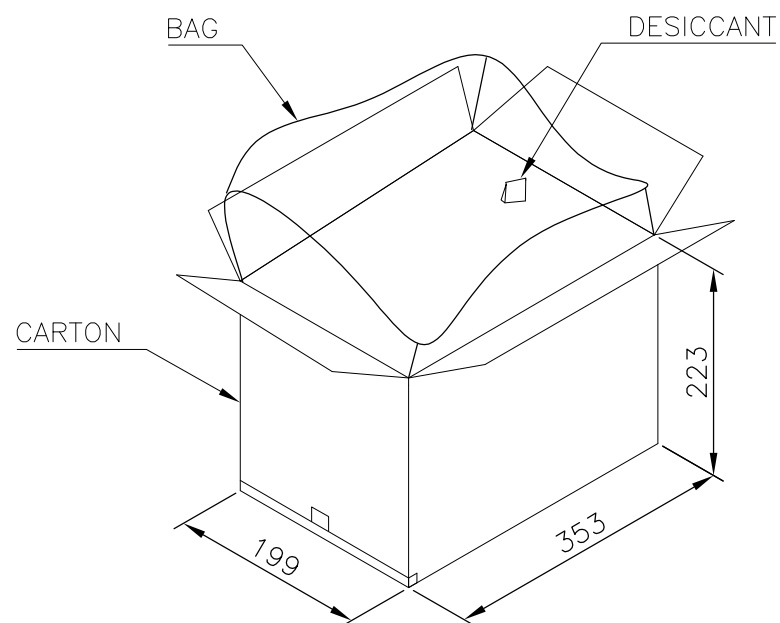
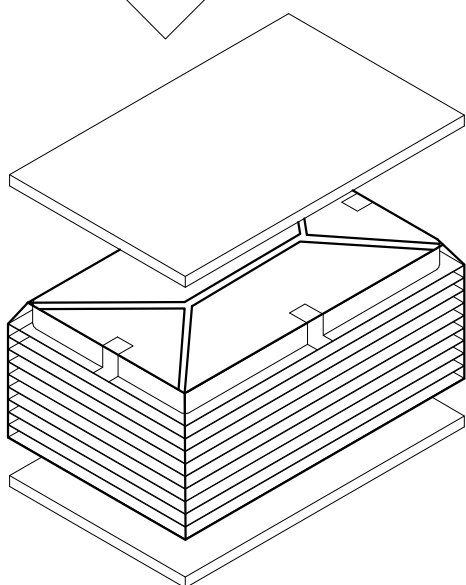
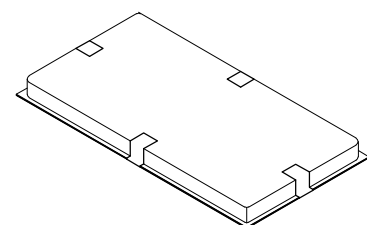
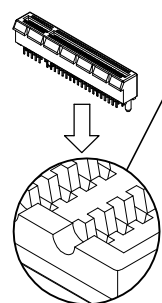
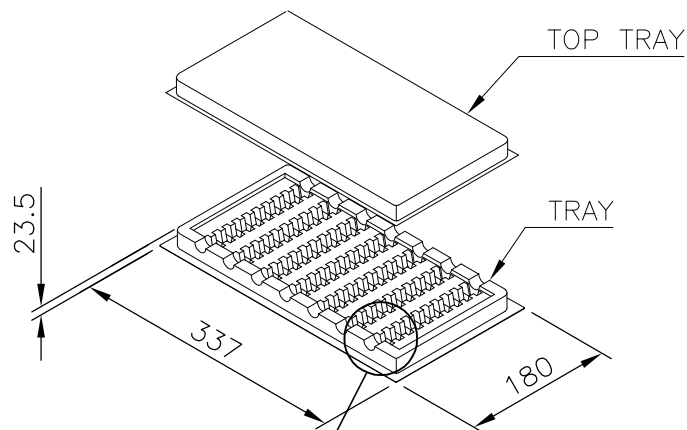
RELEASED FOR PUBLICATION

ALL RIGHTS RESERVED.

© COPYRIGHT - By -

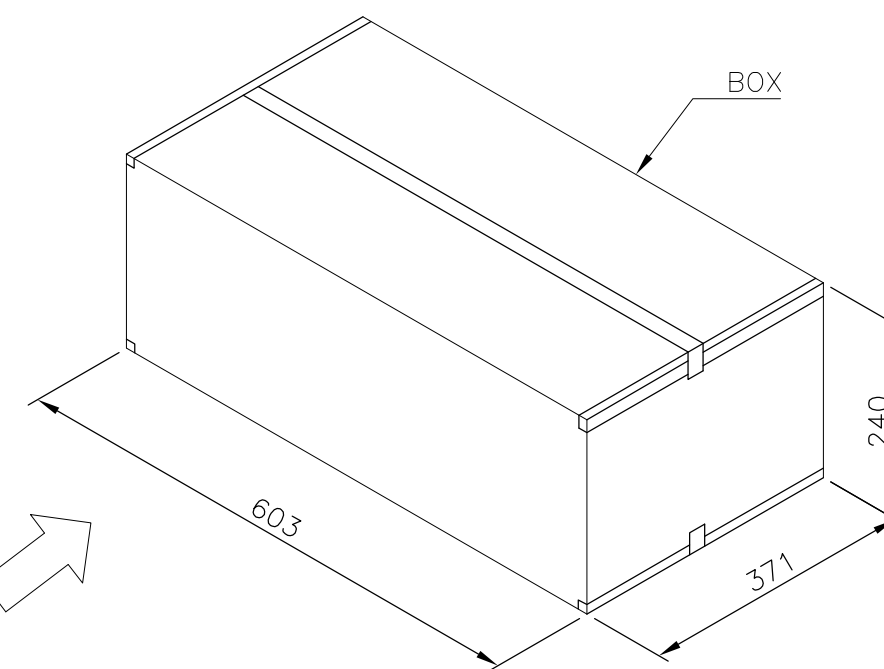
REVISIONS

P	LTR	DESCRIPTION	DATE	DWN	APVD
-	-	SEE SHEET 1	-	-	-



NOTES :

- MATERIAL :
TRAY : PVC, COLOR: TRANSPARENT.
CARTON: CORRUGATED FIBER
BOX: CORRUGATED FIBER
- DIMENSION :
TRAY: SEE DRAWING
CARTON: SEE DRAWING
BOX : SEE DRAWING
- QUANTITY : SEE TABLE
- WEIGHT : SEE TABLE



9.6 KG	7.6 KG	30	10	3	900	164
8.5 KG	6.5 KG	40	10	3	1200	98
9.1 KG	7.1 KG	60	10	3	1800	64
7.7 KG	5.7 KG	70	10	3	2100	36
GROSS WEIGHT	NET WEIGHT	PCS/ TRAY	TRAY/ CARTON	CARTON/ BOX	PCS/ BOX	POS

THIS DRAWING IS A CONTROLLED DOCUMENT.

DIMENSIONS:	TOLERANCES UNLESS OTHERWISE SPECIFIED:
mm	
	0 PLC ± -
	1 PLC ± -
	2 PLC ± -
	3 PLC ± -
	4 PLC ± -
	ANGLES ± -
MATERIAL	FINISH
-	-

DWN	B. HSING	21MAY2009
CHK	S. CHIEN	21MAY2009
APVD	W. KODAMA	21MAY2009
PRODUCT SPEC	-	
APPLICATION SPEC	-	
WEIGHT	0	

STE TE Connectivity

NAME
PCI EXPRESS CARD EDGE CONNECTOR
VERTICAL, DIP TYPE,(BOARD-LOCK FUNCTION)

SIZE	CAGE CODE	DRAWING NO	RESTRICTED TO
A3	00779	C-1775801	-

CUSTOMER DRAWING SCALE 1:1 SHEET 3 OF 4 REV D

THIS DRAWING IS UNPUBLISHED.

RELEASED FOR PUBLICATION

ALL RIGHTS RESERVED.

© COPYRIGHT - By -

REVISIONS

P	LTR	DESCRIPTION	DATE	DWN	APVD
-	-	SEE SHEET 1	-	-	-

NOTES :

PACKING MATERIAL MET TE SPEC TEC-138-702.

* CADMIUM AND CADMIUM COMPOUNDS CONTENT:

5 PPM UNDER (PLASTIC, RUBBER, INK, PIGMENT, PAINT)

* LEAD, CADMIUM, CHROM VI AND MERCURY IN PACKAGING MATERIALS CONTENT: 100 PPM (COMBINED) UNDER.

1. MATERIAL :

TRAY: HIPS, COLOR: BLACK.

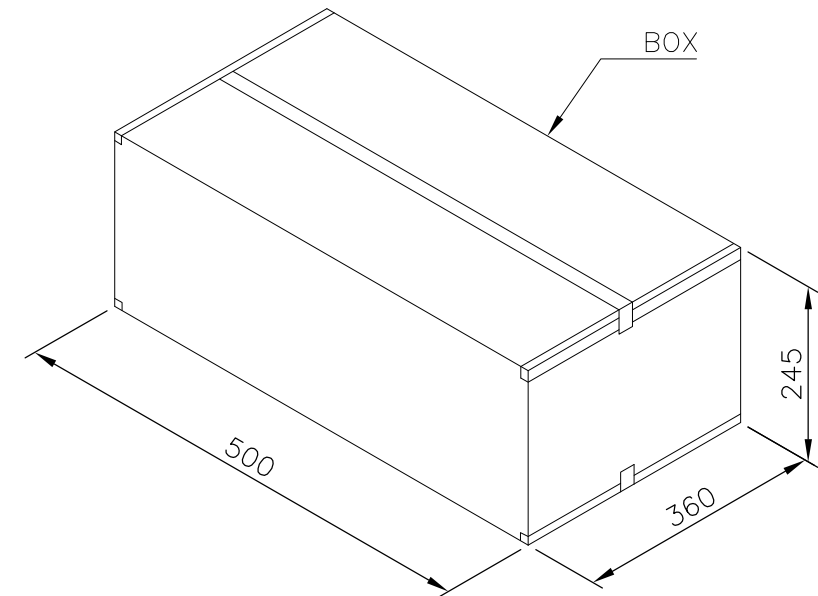
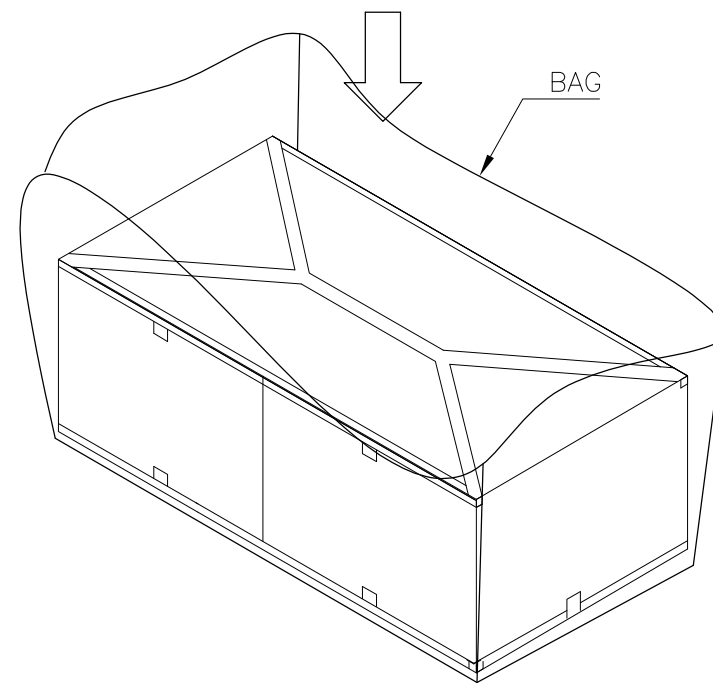
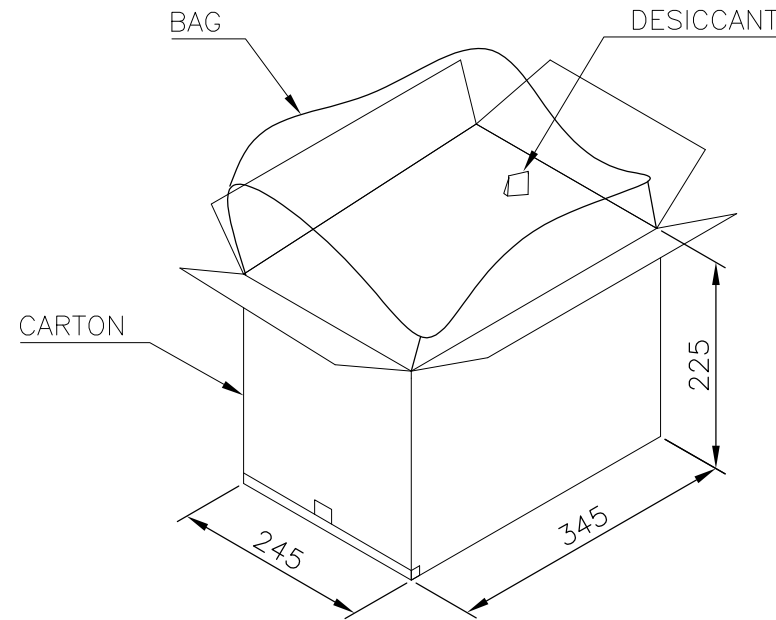
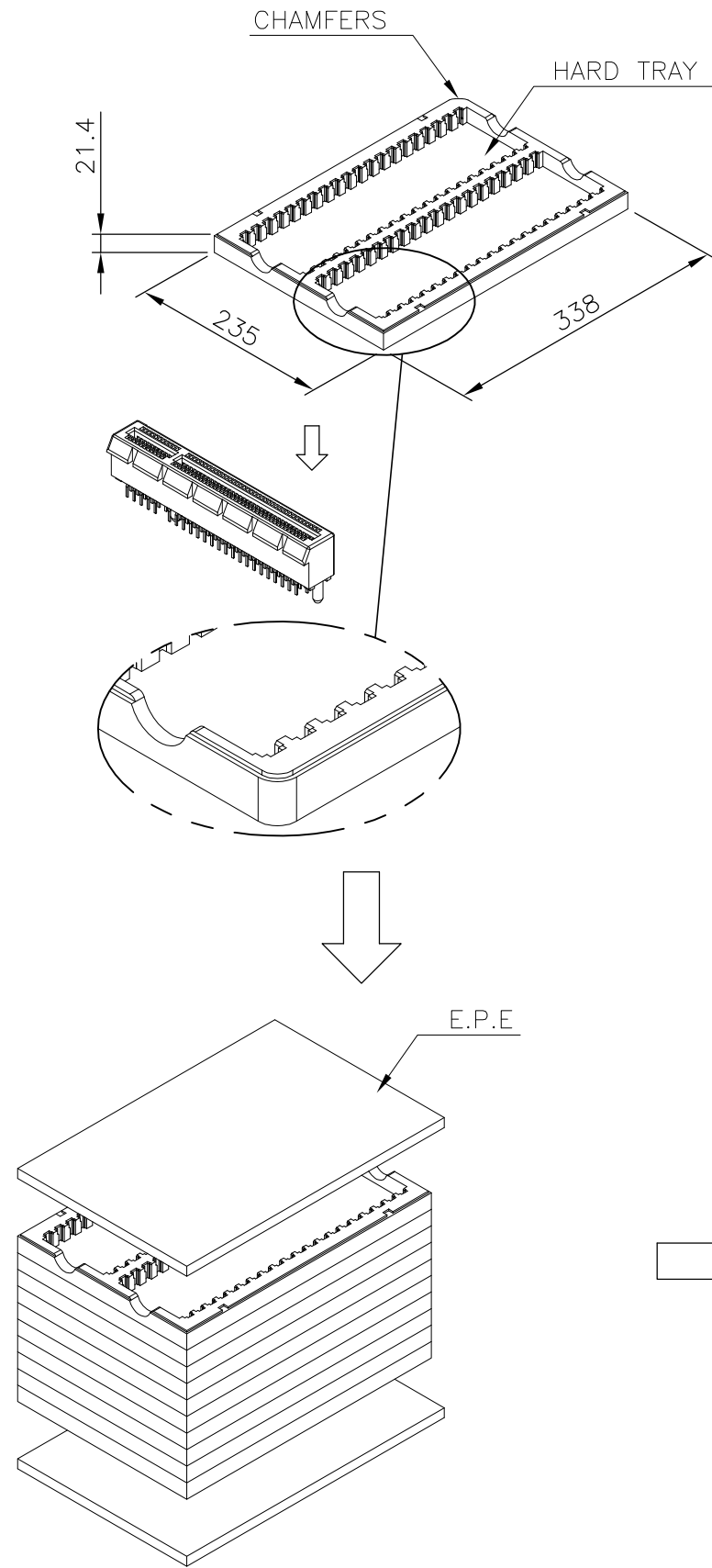
CARTON: CORRUGATED FIBER

BOX: CORRUGATED FIBER

TRANSPARENT BAG: PE, SIZE: 500mm*380mm*0.06mm
640mm*510mm*0.06mm

2. EACH BAG SHALL BE INCLUDED:

* DESICCANT



11.5 Kg	7.0 Kg	40	10	2	800	164
GROSS WEIGHT	NET WEIGHT	PCS/ TRAY	TRAY/ CARTON	CARTON/ BOX	PCS/ BOX	POS

THIS DRAWING IS A CONTROLLED DOCUMENT.

DIMENSIONS:		TOLERANCES UNLESS OTHERWISE SPECIFIED:	
mm			
	0 PLC	±	-
	1 PLC	±	-
	2 PLC	±	-
	3 PLC	±	-
	4 PLC	±	-
ANGLES		±	-
MATERIAL		FINISH	
-		-	

DWN	B. HSING	21MAY2009
CHK	S. CHIEN	21MAY2009
APVD	W. KODAMA	21MAY2009
PRODUCT SPEC	-	
APPLICATION SPEC	-	
WEIGHT	0	
CUSTOMER DRAWING		

STE TE Connectivity				NAME PCI EXPRESS CARD EDGE CONNECTOR VERTICAL, DIP TYPE,(BOARD-LOCK FUNCTION)		
A300779		C-1775801		-		
SCALE 1:1			SHEET 4 OF 4		REV D	