



Chipsmall Limited consists of a professional team with an average of over 10 year of expertise in the distribution of electronic components. Based in Hongkong, we have already established firm and mutual-benefit business relationships with customers from,Europe,America and south Asia,supplying obsolete and hard-to-find components to meet their specific needs.

With the principle of "Quality Parts,Customers Priority,Honest Operation,and Considerate Service",our business mainly focus on the distribution of electronic components. Line cards we deal with include Microchip,ALPS,ROHM,Xilinx,Pulse,ON,Everlight and Freescale. Main products comprise IC,Modules,Potentiometer,IC Socket,Relay,Connector.Our parts cover such applications as commercial,industrial, and automotives areas.

We are looking forward to setting up business relationship with you and hope to provide you with the best service and solution. Let us make a better world for our industry!



Contact us

Tel: +86-755-8981 8866 Fax: +86-755-8427 6832

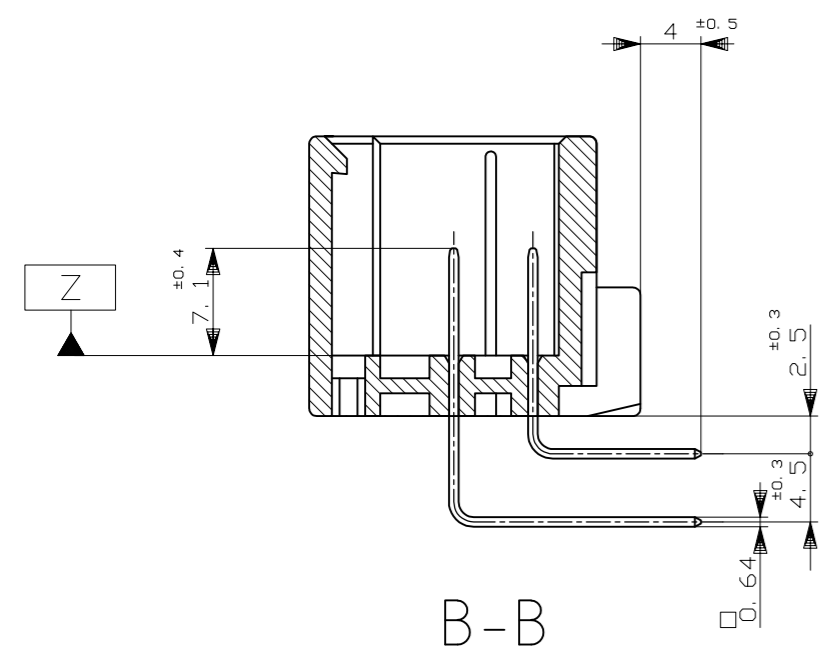
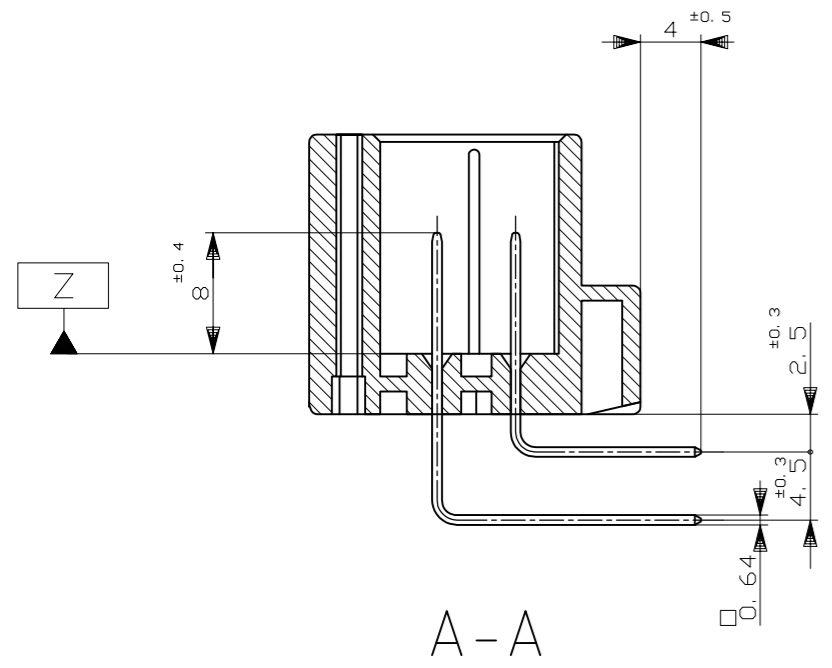
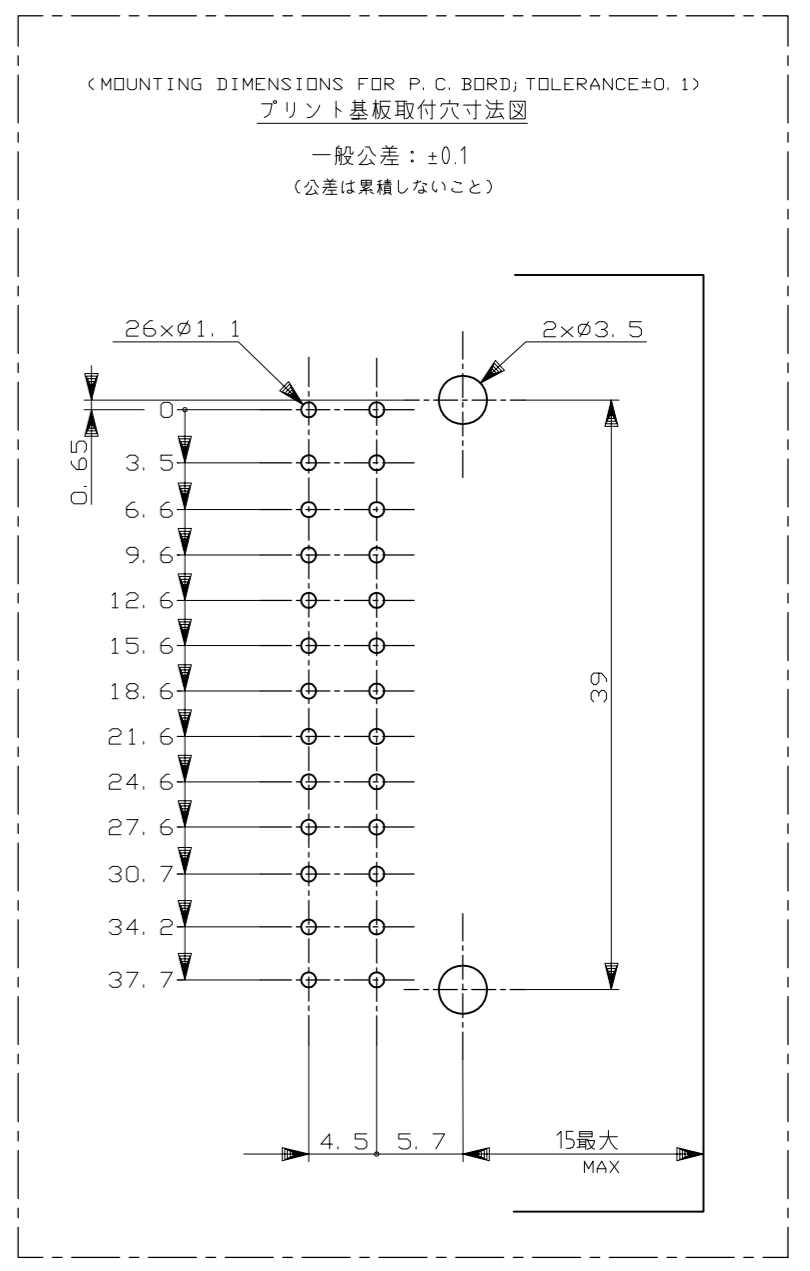
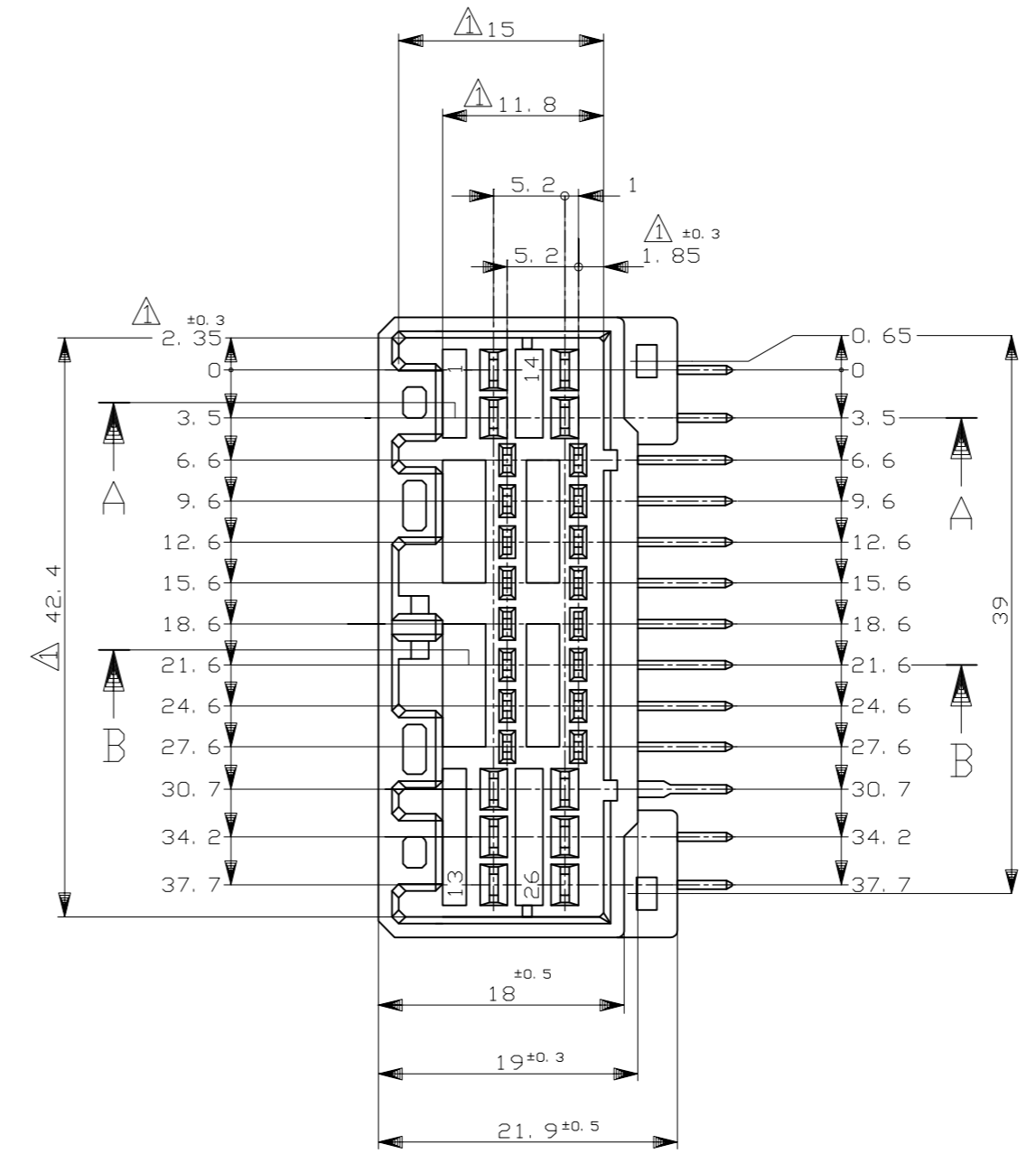
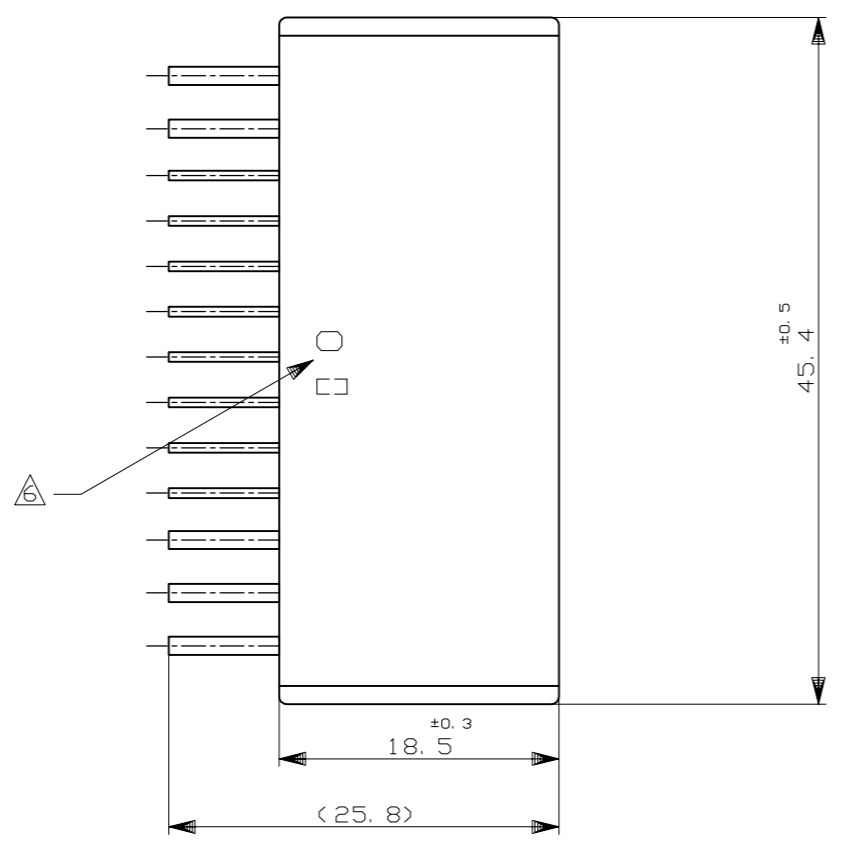
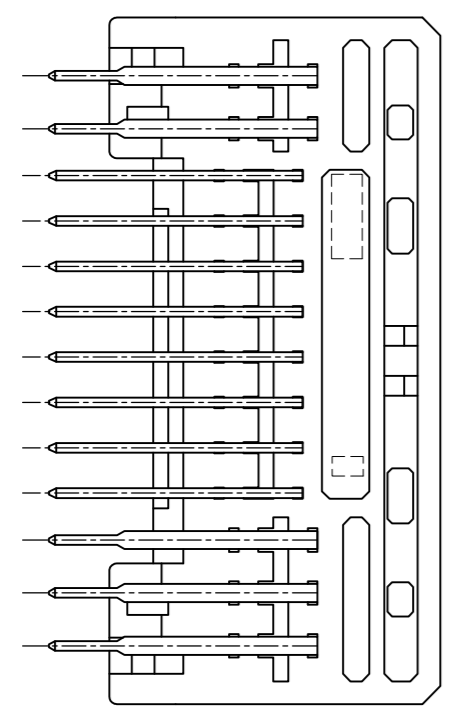
Email & Skype: info@chipsmall.com Web: www.chipsmall.com

Address: A1208, Overseas Decoration Building, #122 Zhenhua RD., Futian, Shenzhen, China

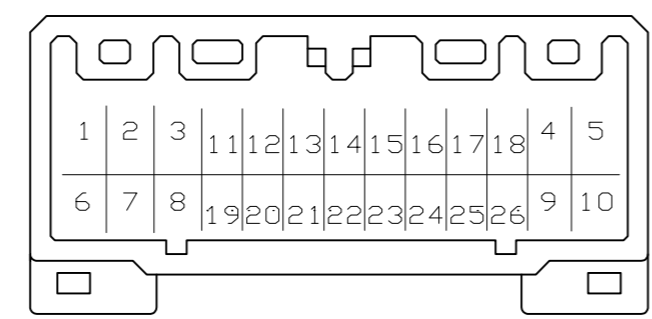


THIS DRAWING IS UNPUBLISHED. RELEASED FOR PUBLICATION
 © COPYRIGHT - By Tyco Electronics Japan G.K. ALL RIGHTS RESERVED.

LOC	DIST	REVISIONS					
J	-	P	LTR	DESCRIPTION	DATE	DWN	APVD
		E5	REVISED	ECR-15-008942	15JUN15	KF	RK



- Z面から2mmの範囲で測定
- 嵌合相手ハウジング型: 175567, 917994
- 推奨取付ねじ: JIS B1115, B1122 タッピンねじ, なべ2種
呼び径3, 長さ6mm以下 (締付けトルク: 0.4N-m (4kg-cm) 以下)
- 適用製品規格番号: 108-5280, 108-5342
- 回路番号:
 パワー回路 ① ~ ⑩
 シグナル回路 ⑪ ~ ⑳



- 適用製品型番のアプリフィックス及びIDマークをカラーホットマークにて表示
- MUST BE KEPT BETWEEN Z AND 2
- THE MATING PLUG HSG.PART NUMBER; 175567, 917994
- RECOMMENDED MOUNTING SCREW; 3mm DIA, 6mm LENGTH (MAX.)
PAN HEAD, CLASS 2 TAPPING SCREW SPECIFIED IN JIS B1115, B1122
(TIGHTENING TORQUE; 0.4N-m (4kg-cm) MAX.)
- APPLICABLE PRODUCT SPEC NO; 108-5280, 108-5342
- CIRCUIT NUMBER
POWER CIRCUIT NO. ① ~ ⑩
SIGNAL CIRCUIT NO. ⑪ ~ ⑳
- INDICATED PREFIX AND ID MARK OF PRODUCT P/N BY COLOR HOT MARK

TOLERANCES UNLESS OTHERWISE SPECIFIED.	一般公差
10±	±0.2
30±	±0.25
100±	±0.3
ANGLE	±0.3°

MARKING	SOLDERING SIDE 半田付け面	CONTACT FINISH コンタクト仕上	CONTACT SIDE 接触部側	POWER CIRCUIT NO. パワー回路	SIGNAL CIRCUIT NO. シグナル回路	COLOR 色	PART NUMBER 製品型番
53	SELECTIVE-TIN (MATTE)	SELECTIVE GOLD × 2	-	25, 26	NATURAL 自然色	3-5178762-1	
55	SELECTIVE-TIN (MATTE)	PRE-TIN × 24	-	13, 14, 19, 22	NATURAL 自然色	5-5178762-1	
54	SELECTIVE-TIN (MATTE)	SELECTIVE GOLD × 4	-	14, 22	BLACK 黒色	4-5178762-2	
52	SELECTIVE-TIN (MATTE)	SELECTIVE-TIN (BRIGHT) × 22	-	12~17, 19~21	GRAY 灰色	2-5178762-6	
5	TIN-LEAD	SELECTIVE GOLD × 2	-	13, 14, 19, 22	NATURAL 自然色	5-178762-1	
4	TIN-LEAD	SELECTIVE GOLD × 2	-	14, 22	BLACK 黒色	4-178762-2	
3	TIN-LEAD	PRE-TIN × 24	-	25, 26	NATURAL 自然色	3-178762-1	
2	TIN-LEAD	SELECTIVE GOLD × 11	3, 8	12~17, 19~21	GRAY 灰色	2-178762-6	
2	TIN-LEAD	PRE-TIN × 15	3, 8	12~17, 19~21	NATURAL 自然色	2-178762-1	
0	TIN-LEAD	SELECTIVE GOLD × 11	-	-	GRAY 灰色	178762-6	
0	TIN-LEAD	PRE-TIN × 26	-	-	BLUE 青色	178762-5	
0	TIN-LEAD	PRE-TIN × 26	-	-	BLACK 黒色	178762-2	
0	TIN-LEAD	PRE-TIN × 26	-	-	NATURAL 自然色	178762-1	

THIS DRAWING IS A CONTROLLED DOCUMENT.

DIMENSIONS: 単位: 寸 mm

TOLERANCES UNLESS OTHERWISE SPECIFIED. 一般公差

MATERIAL 材料: HOUSING: PBT, CONTACT: BRASS

FINISH 仕上: -

WEIGHT: -

CUSTOMER DRAWING

DWN: T.SHINOHARA 12FEB08
CHK: K.BETSUI 12FEB08
APVD: K.BETSUI 12FEB08

NAME 名称: 26POSITION CAP HOUSING ASSEMBLY
040/070 SERIES HYBRID I/O CONNECTOR

SIZE: A2 CAGE CODE: 00779 DRAWING NO: C=178762

RESTRICTED TO: -

SCALE: 2:1 SHEET: 1 OF 1 REV: E5