



Chipsmall Limited consists of a professional team with an average of over 10 year of expertise in the distribution of electronic components. Based in Hongkong, we have already established firm and mutual-benefit business relationships with customers from,Europe,America and south Asia,supplying obsolete and hard-to-find components to meet their specific needs.

With the principle of “Quality Parts,Customers Priority,Honest Operation,and Considerate Service”,our business mainly focus on the distribution of electronic components. Line cards we deal with include Microchip,ALPS,ROHM,Xilinx,Pulse,ON,Everlight and Freescale. Main products comprise IC,Modules,Potentiometer,IC Socket,Relay,Connector.Our parts cover such applications as commercial,industrial, and automotives areas.

We are looking forward to setting up business relationship with you and hope to provide you with the best service and solution. Let us make a better world for our industry!



Contact us

Tel: +86-755-8981 8866 Fax: +86-755-8427 6832

Email & Skype: info@chipsmall.com Web: www.chipsmall.com

Address: A1208, Overseas Decoration Building, #122 Zhenhua RD., Futian, Shenzhen, China



4

3

2

1

THIS DRAWING AND THE SUBJECT MATTER SHOWN THEREON ARE CONFIDENTIAL AND THE PROPERTY OF BEL/STEWART/TRP CONNECTOR AND SHALL NOT BE REPRODUCED, COPIED, OR USED IN ANY MANNER WITHOUT THE WRITTEN CONSENT OF TRP CONNECTOR.

PRODUCT MAY BE PROTECTED BY ONE OR MORE OF THE FOLLOWING US PATENTS:
5736910 5939955 6425781 6428361 6554638 6840817 7123117
7429195 7717749 7808751 6217391 6149050 7924130

REVISIONS

P	LTR	DESCRIPTION	DATE	DWN	APVD
F		EC-1411035 COMPANY LOGO CHANGE	23DEC2014	DP	TY

Y-1840484-X
YYWWD
CHINA
MagJack[®]

1.19^{+0.25}/_{-0.13}
17.16
1.30^{+0.25}/_{-0.13}
TYP
RJ 1
RJ 8
14.42
LED 1
LED 2
11.43

28.12
DIM B
SHIELD TABS
DIM A
SIGNAL PINS
1.15
2.60 ± 0.10
10.74

1 2 3 4 5 6 7 8 9 10

1. MATERIALS:
PLASTIC HOUSING: BLACK, THERMOPLASTIC FLAMMABILITY RATING UL 94V-0
SHIELD: BRASS, PREPLATED WITH 30μ INCH MIN SEMI-BRIGHT NICKEL,
POST DIPPED WITH 100μ INCH MIN SAC SOLDER ON SOLDER TAILS
CONTACTS: PHOSPHOR BRONZE, 50μ INCH MIN NICKEL UNDERPLATE WITH SELECT
50μ INCH MIN GOLD AT MATING INTERFACE AND 100μ INCH MIN MATTE
TIN ON SOLDER TAILS.
LED: DIFFUSED EPOXY LENS, .020" X .020" CARBON STEEL WIREFRAME
LEADS PREPLATED WITH 80μ INCH MIN SILVER OVER 40μ INCH MIN NICKEL
UNDERPLATE OVER 40μ INCH MIN COPPER UNDERPLATE. POST-PLATED
WITH 100μ INCH MIN MATTE TIN AND/OR SAC SOLDER DIP OR PURE TIN
SOLDER DIP.

2. MAGNETICS:
APPLICATION: 10/100/1000 BASE-T
IMPEDANCE: 100 OHMS
TURNS RATIO (CHIP:CABLE): 1:1 ALL FOUR PAIRS
OPEN CIRCUIT INDUCTANCE (OCL): 350μH MIN @100kHz, 0.1VRMS,
8mADC BIAS FROM 0°C TO 70°C, ALL FOUR PAIRS
ALL FOUR PAIRS BI-DIRECTIONAL
PERFORMANCE @ 25°C:
INSERTION LOSS (IL): 1.1dB MAX FROM 0.5MHz TO 100MHz
RETURN LOSS (RL): 18dB MIN FROM 0.5MHz TO 40MHz
12-20LOG(f/80)dB MIN FROM 40.1MHz TO 100MHz
CROSSTALK ATTENUATION: 35dB MIN FROM 0.5MHz TO 40MHz
33-20LOG(f/50)dB MIN FROM 40.1MHz TO 100MHz
COMMON MODE REJECTION RATIO (CMRR):
30dB MIN FROM 0.5MHz TO 100MHz
ISOLATION VOLTAGE:
2250VDC (MAX) FOR 60 SECONDS WITH A RISE TIME OF 500V/SEC

3. OPERATING TEMP: FROM 0°C TO +70°C

4. INDICATED MAGNETIC CONNECTIONS ARE SYMMETRICAL AND SUPPORT AUTO-MDIX.

5. TRP CONNECTOR LOGO, PART NUMBER, DATE CODE AND COUNTRY OF ORIGIN LOCATED IN THE APPROXIMATE AREA SHOWN. DATE CODE: YYWWD WHERE "YY" IS YEAR, "WW" IS WORK WEEK, "D" DAY OF WEEK, WITH SUNDAY = 1

6. RJ45 CAVITY CONFORMS TO FCC RULES AND REGULATION PART 68 SUBPART F

7. LEDs ARE DRIVEN WITH CONSTANT CURRENT AT APPROX 20mA
LED COLOR: DOMINANT WAVELENGTH (λD):GREEN 568 nm TYP. at I_F=20mA
FORWARD VOLTAGE (V_F):GREEN 2.2V TYP. at I_F=20mA
DOMINANT WAVELENGTH (λD):YELLOW 588 nm TYP. at I_F=20mA
FORWARD VOLTAGE (V_F):YELLOW 2.1V TYP. at I_F=20mA
DOMINANT WAVELENGTH (λD):ORANGE 605 nm TYP. at I_F=20mA
FORWARD VOLTAGE (V_F):ORANGE 2.1V TYP. at I_F=20mA

8. DATUM AND BASIC DIMENSION ESTABLISHED BY CUSTOMER

9. BASIC DIMENSION ESTABLISHED BY CUSTOMER, BUT MAY NOT BE GREATER THAN 6.22.

10. SOLDERING ALL SIGNAL PINS WITH BOTTOM PCB

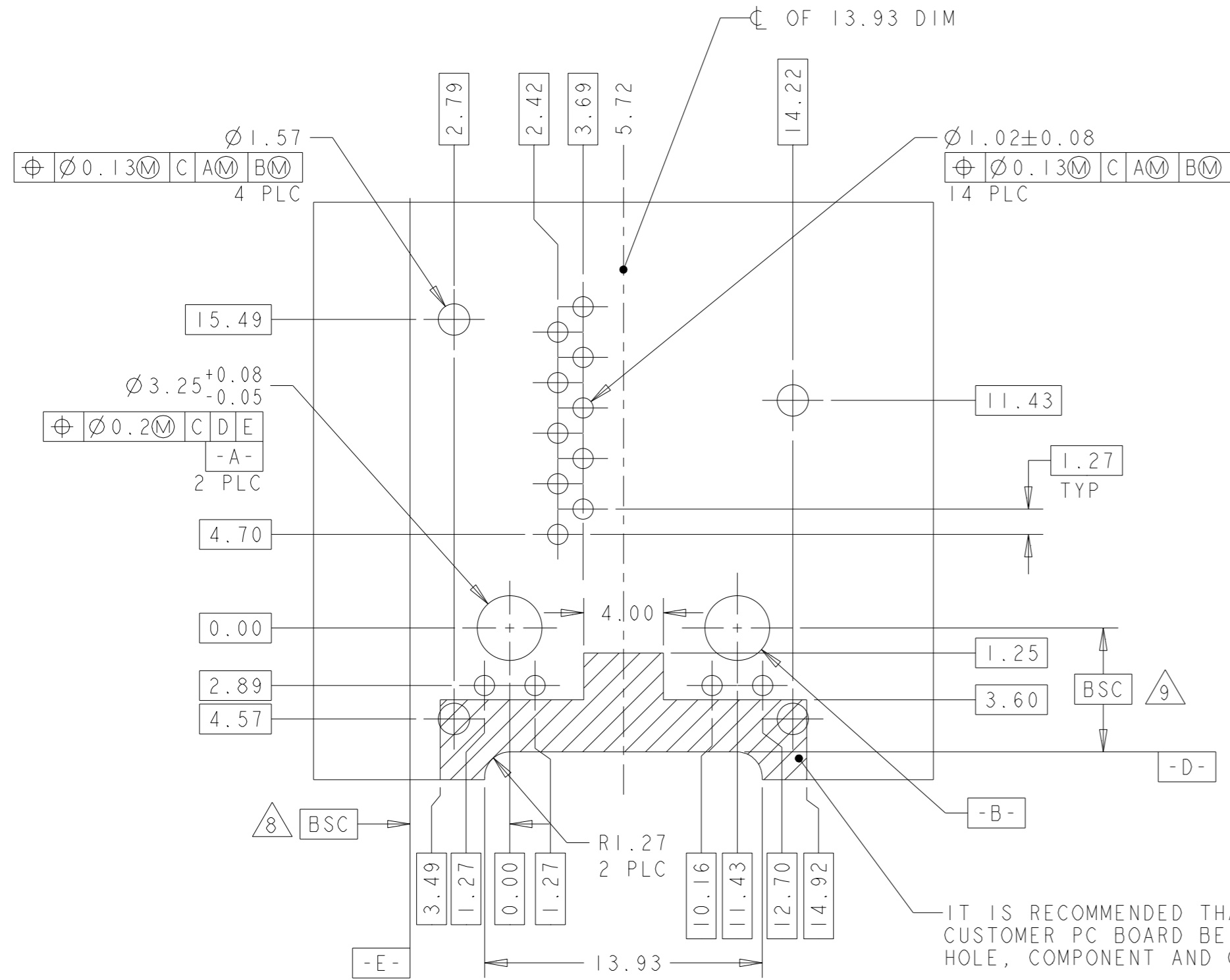
2.21	2.58	GREEN	GRN/ORANGE	1-1840484-8
3.04	3.04	YELLOW	GRN/ORANGE	4-1840484-3
DIM A	DIM B	LED 1	LED 2	PART NUMBER

THIS DRAWING IS A CONTROLLED DOCUMENT.

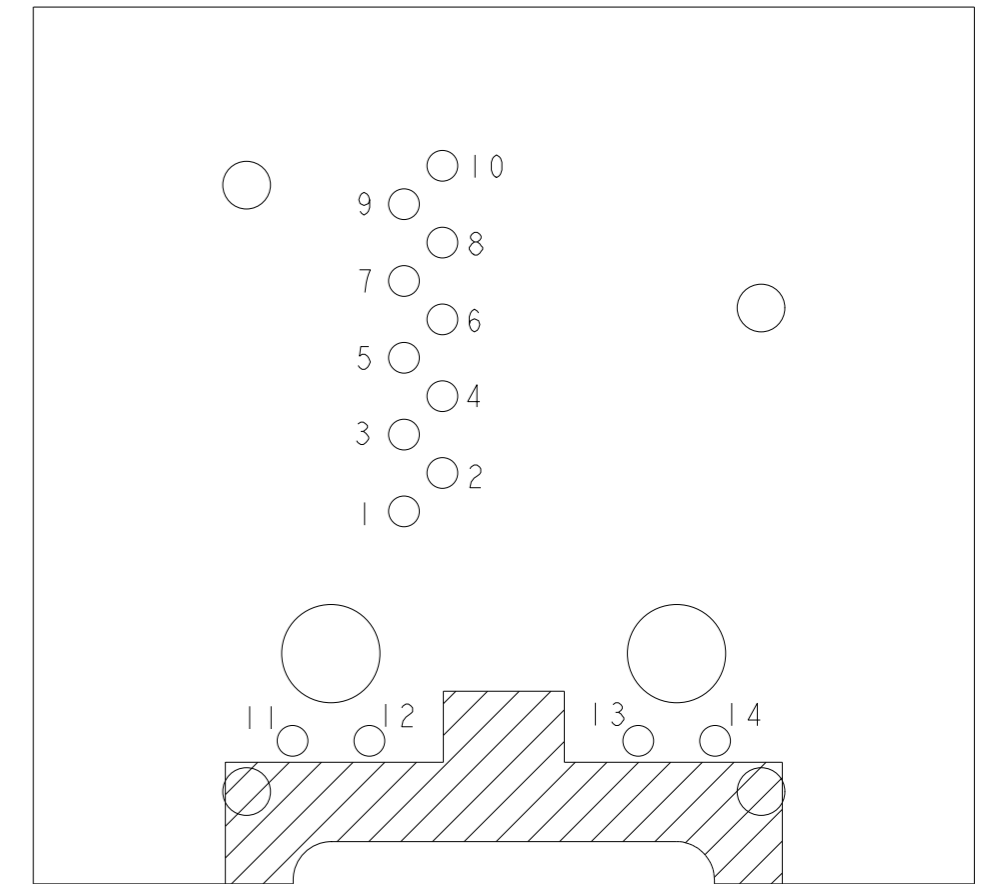
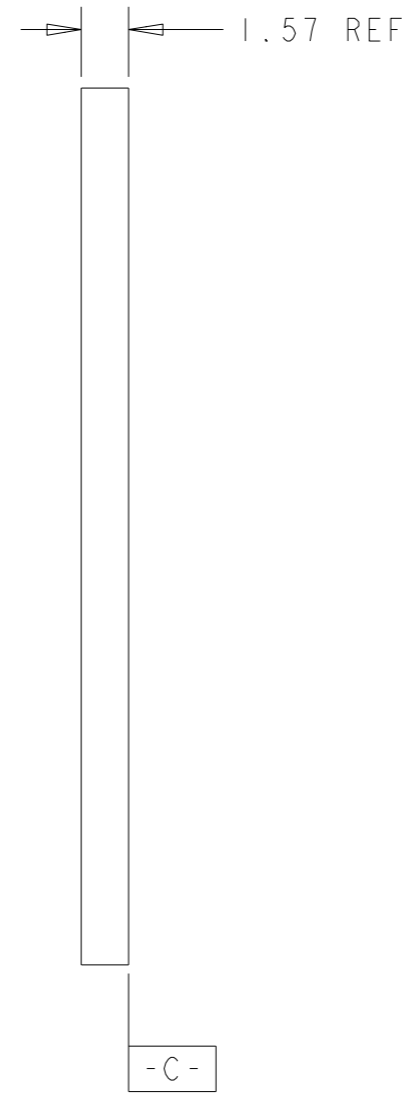
DIMENSIONS:	TOLERANCES UNLESS OTHERWISE SPECIFIED:
mm	
	0 PLC ±
	1 PLC ±0.25
	2 PLC ±0.25
	3 PLC ±0.25
	4 PLC ±
	ANGLES ±
PRODUCT SPEC	APPLICATION SPEC

DWN RICHARD QIAN 09NOV2009	 trp CONNECTOR a bel group DONGGUAN CHINA	DESC IXI S8G56 GIGABIT TAB DOWN W/ LED -		
CHK FRANK LIU 09NOV2009				
APVD LIJUN RAO 09NOV2009				
MODEL NAME				
MAGJACK SINGLE NON-PoE	SIZE A2	CAGE CODE C-1840484	DRAWING NO	RESTRICTED TO
CUSTOMER DRAWING		SCALE NTS	SHEET 1 OF 3	REV F

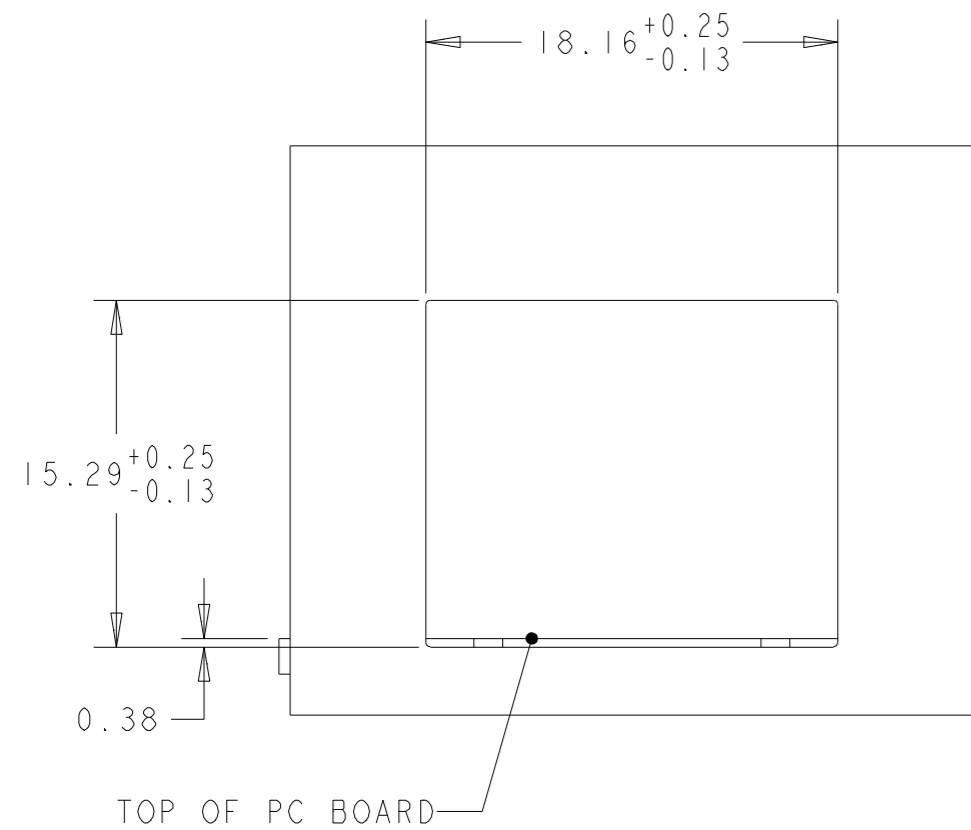
XXXX



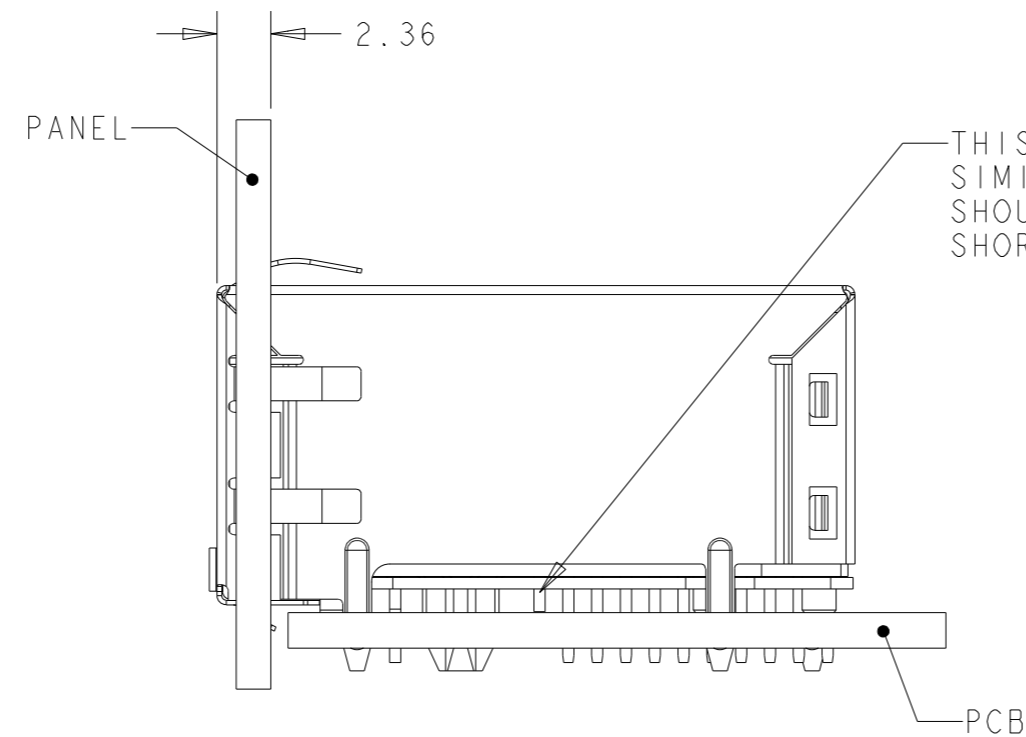
PC BOARD LAYOUT VIEWED FROM COMPONENT SIDE




PIN ARRANGEMENT FROM COMPONENT SIDE



SUGGESTED PANEL CUTOUT

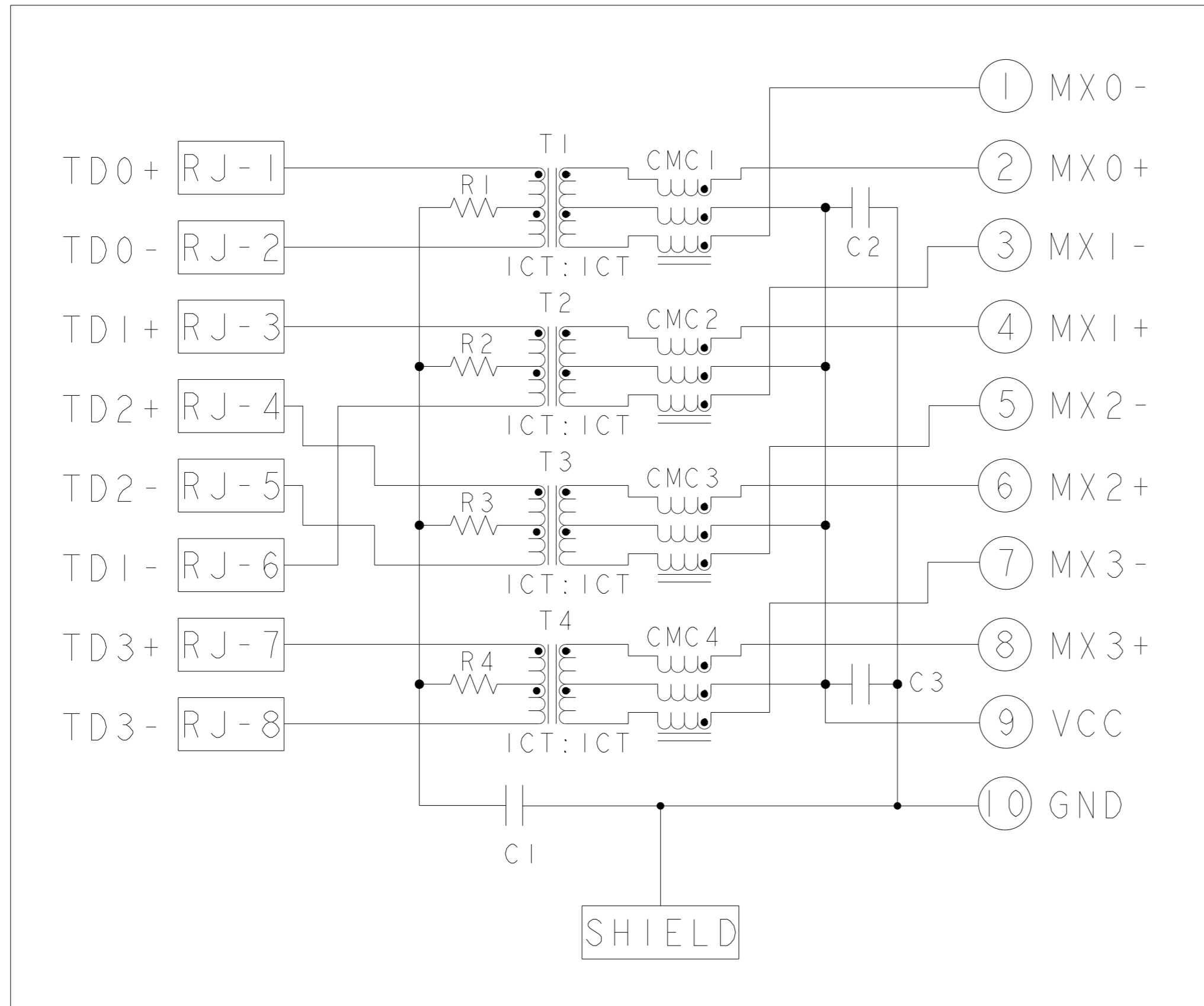


CONNECTOR ASSEMBLED TO PANEL AND PCB

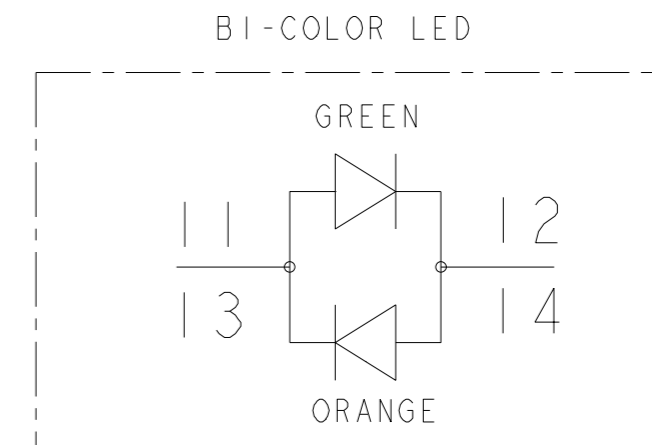
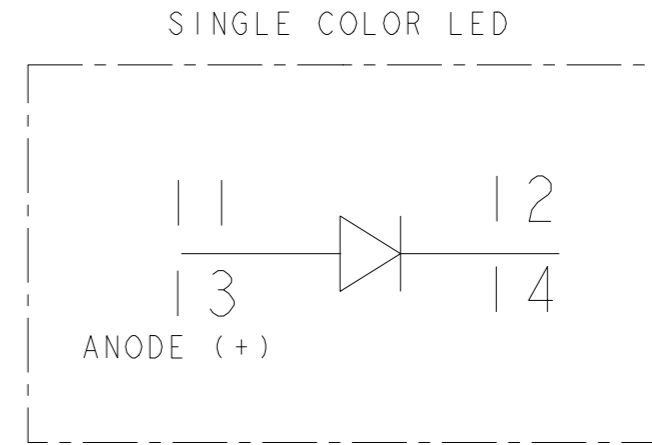
THIS DRAWING IS A CONTROLLED DOCUMENT.		DWN RICHARD QIAN 09NOV2009	 trp CONNECTOR a bel group		DONGGUAN CHINA	
DIMENSIONS: mm		CHK FRANK LIU 09NOV2009			DESC IXI S8G56 GIGABIT TAB DOWN W/ LED	
TOLERANCES UNLESS OTHERWISE SPECIFIED:		APVD LIJUN RAO 09NOV2009	SIZE A2		CAGE CODE C-1840484	
0 PLC ± 1 PLC ±0.25 2 PLC ±0.25 3 PLC ±0.25 4 PLC ± ANGLES ± APPLICATION SPEC		MODEL NAME	MAGJACK SINGLE NON-POE		DRAWING NO C-1840484	
PRODUCT SPEC		CUSTOMER DRAWING		SCALE NTS	SHEET 2 OF 3	REV F


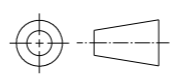
S8G56 GIGABIT CIRCUIT $\triangle\triangle$

Top and Bottom Ports



C1 = 1000pF, 2kV CAPACITOR
 C2 - C3 = 10nF, 50V CAPACITORS
 R1-R4 = 75 OHMS, 1/16 W, RESISTORS



THIS DRAWING IS A CONTROLLED DOCUMENT.		DWN RICHARD QIAN 09NOV2009	 trp CONNECTOR <small>a bel group</small>	DONGGUAN CHINA		
DIMENSIONS: mm		CHK FRANK LIU 09NOV2009		DESC IXI S8G56 GIGABIT TAB DOWN W/ LED		
		APVD LIJUN RAO 09NOV2009		SIZE A2	CAGE CODE	DRAWING NO C-1840484
TOLERANCES UNLESS OTHERWISE SPECIFIED: 0 PLC ± 1 PLC ±0.25 2 PLC ±0.25 3 PLC ±0.25 4 PLC ± ANGLES ± APPLICATION SPEC		MODEL NAME MAGJACK SINGLE NON-POE		RESTRICTED TO	-	
PRODUCT SPEC		CUSTOMER DRAWING		SCALE NTS	SHEET 3 OF 3	
-		-		REV F		