



Chipsmall Limited consists of a professional team with an average of over 10 year of expertise in the distribution of electronic components. Based in Hongkong, we have already established firm and mutual-benefit business relationships with customers from,Europe,America and south Asia,supplying obsolete and hard-to-find components to meet their specific needs.

With the principle of "Quality Parts,Customers Priority,Honest Operation,and Considerate Service",our business mainly focus on the distribution of electronic components. Line cards we deal with include Microchip,ALPS,ROHM,Xilinx,Pulse,ON,Everlight and Freescale. Main products comprise IC,Modules,Potentiometer,IC Socket,Relay,Connector.Our parts cover such applications as commercial,industrial, and automotives areas.

We are looking forward to setting up business relationship with you and hope to provide you with the best service and solution. Let us make a better world for our industry!



## Contact us

Tel: +86-755-8981 8866 Fax: +86-755-8427 6832

Email & Skype: info@chipsmall.com Web: www.chipsmall.com

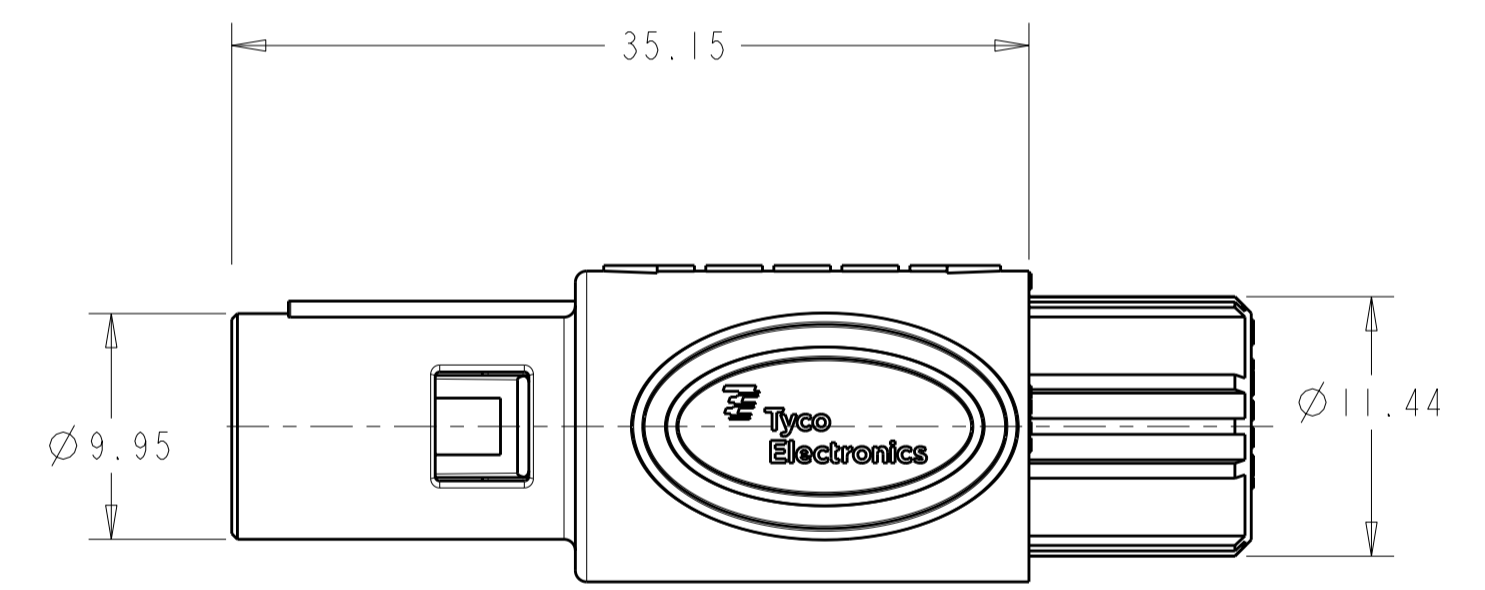
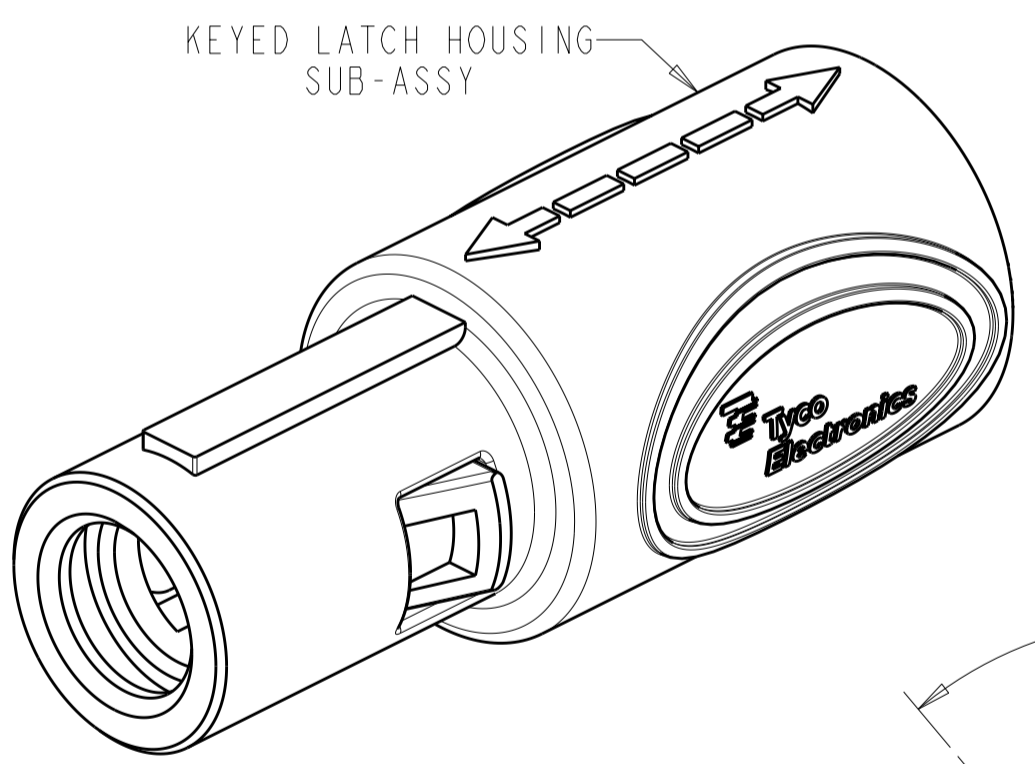
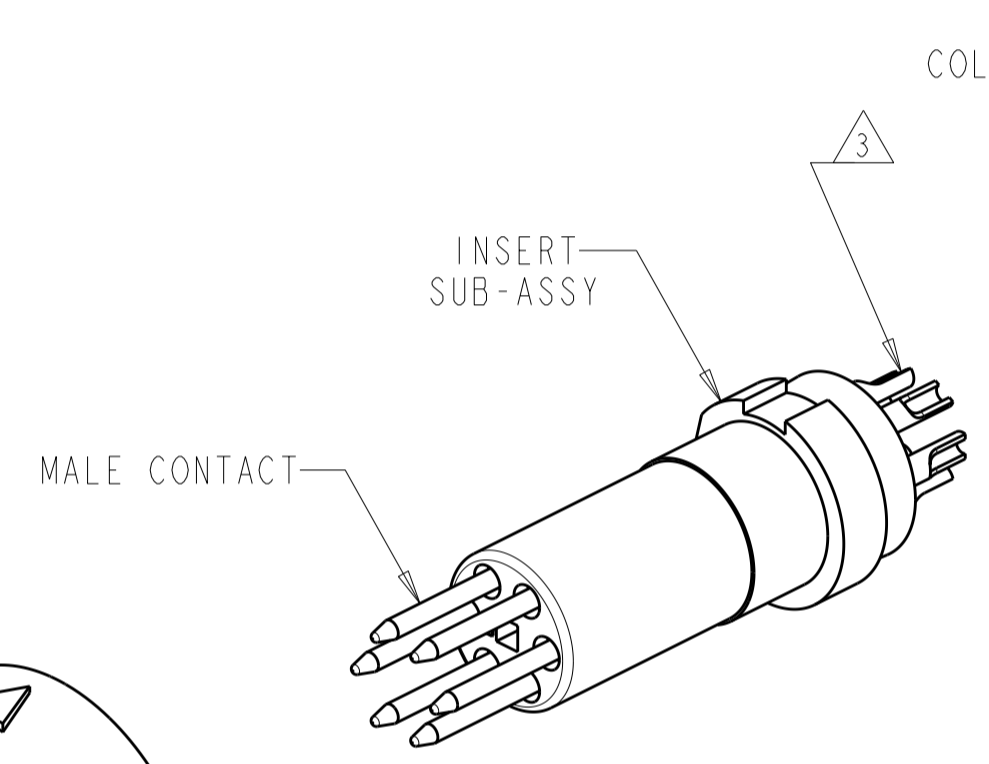
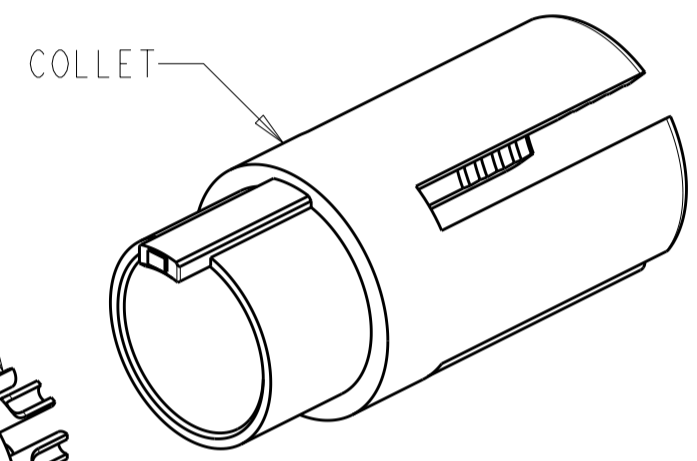
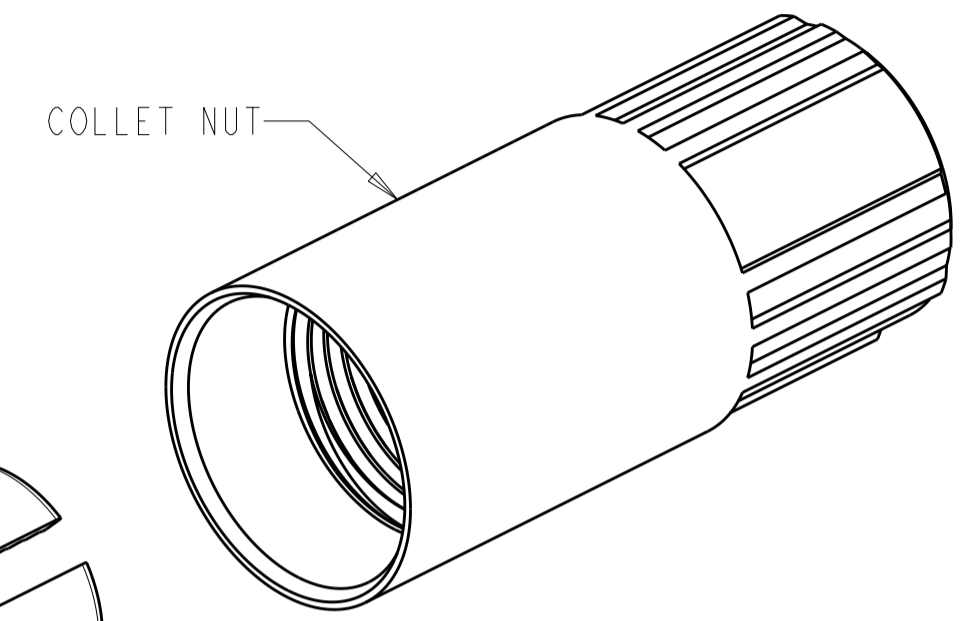
Address: A1208, Overseas Decoration Building, #122 Zhenhua RD., Futian, Shenzhen, China



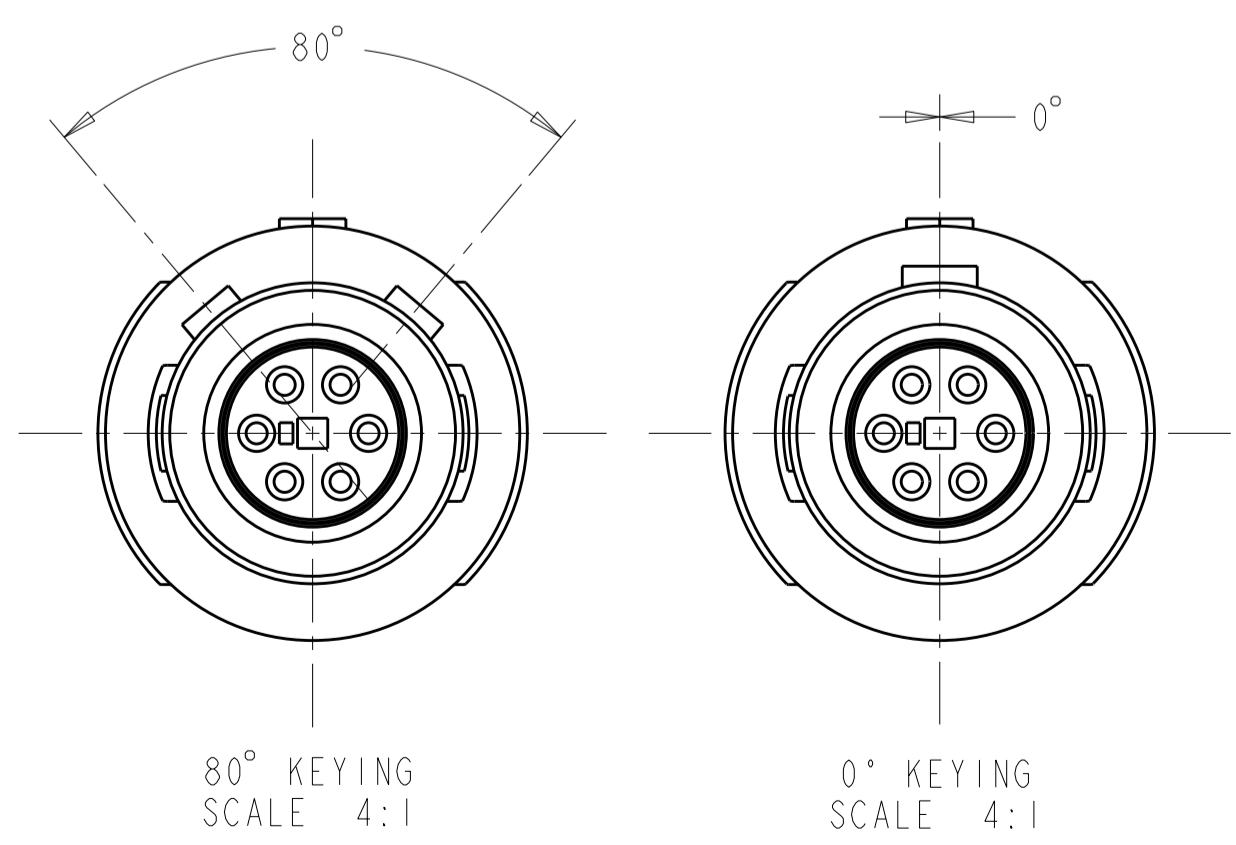
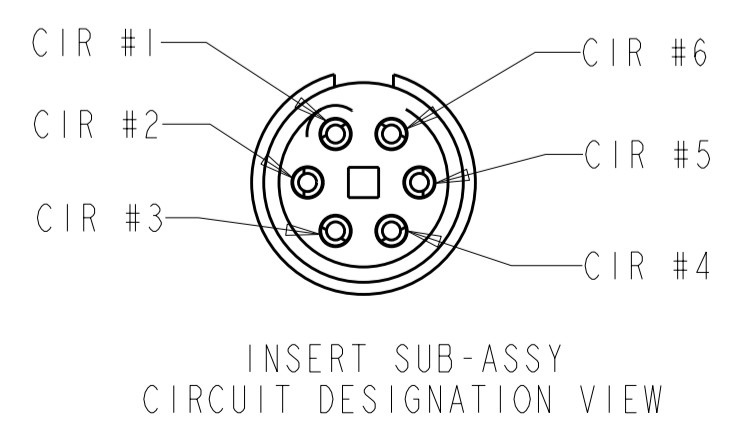
THIS DRAWING IS UNPUBLISHED. RELEASED FOR PUBLICATION 20  
 © COPYRIGHT 20 BY - ALL RIGHTS RESERVED.

LOC		DIST		REVISIONS			
P	LTR	DESCRIPTION	DATE	DWN	APVD		
	B3	REVISED PER ECO-11-005027	12MAR2011	RK	HMR		

- 1 MATERIAL:  
 CONTACT: BRASS  
 LATCH HOUSING, INSERT, COLLET, COLLET NUT:  
 UL 94V-0 RATED THERMOPLASTIC  
 COLOR:  
 COLLET AND INSERT: GRAY  
 LATCH HOUSING AND NUT: SEE TABLE
- 2 FINISH:  
 CONTACT, 0.75µm MIN. GOLD OVER NICKEL
- 3 SOLDER TERMINATION CONTACT, 26 AWG WIRE MAX.
- 4. PRODUCT IS SUPPLIED UNASSEMBLED



SCALE 3:1



SEE SHEET 2 FOR PART NUMBER SELECTION  
 PART NO.


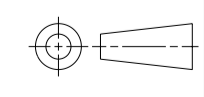
THIS DRAWING IS A CONTROLLED DOCUMENT.		DWN K. MILLER 09MAR2006	TE Connectivity	
		CHK L. BREKOSKY 09MAR2006		
DIMENSIONS: mm		TOLERANCES UNLESS OTHERWISE SPECIFIED:		NAME
		0 PLC ± 1 PLC ±0.13 2 PLC ±0.08 3 PLC ± 4 PLC ± ANGLES ±1° FINISH		6 POSITION CABLE COLLET 0 DEGREE AND 80 DEGREE KEYING STRAIGHT PLUG ASSEMBLY
MATERIAL		PRODUCT SPEC		SIZE
1		108-2249		A2
		APPLICATION SPEC		CAGE CODE
		114-13184		00779
		WEIGHT		DRAWING NO
		-		C-1877846
		CUSTOMER DRAWING		RESTRICTED TO
		SCALE 4:1		-
		SHEET 1 OF 3		REV B3

THIS DRAWING IS UNPUBLISHED. RELEASED FOR PUBLICATION 20  
 © COPYRIGHT 20 BY - ALL RIGHTS RESERVED.

LOC	DIST	REVISIONS					
AD	00	P	LTR	DESCRIPTION	DATE	DWN	APVD
		-		SEE SHEET 1			

∅ 2.7-∅ 3.9	BLUE	GRAY	80°	7-1877846-2
∅ 4.0-∅ 5.2	BLUE	GRAY	80°	7-1877846-1
∅ 5.3-∅ 6.5	BLUE	GRAY	80°	7-1877846-0
∅ 2.7-∅ 3.9	BLUE	GRAY	0°	6-1877846-9
∅ 4.0-∅ 5.2	BLUE	GRAY	0°	6-1877846-8
∅ 5.3-∅ 6.5	BLUE	GRAY	0°	6-1877846-7
∅ 2.7-∅ 3.9	BLUE	BLACK	80°	6-1877846-6
∅ 4.0-∅ 5.2	BLUE	BLACK	80°	6-1877846-5
∅ 5.3-∅ 6.5	BLUE	BLACK	80°	6-1877846-4
∅ 2.7-∅ 3.9	BLUE	BLACK	0°	6-1877846-3
∅ 4.0-∅ 5.2	BLUE	BLACK	0°	6-1877846-2
∅ 5.3-∅ 6.5	BLUE	BLACK	0°	6-1877846-1
∅ 2.7-∅ 3.9	GREEN	GRAY	80°	6-1877846-0
∅ 4.0-∅ 5.2	GREEN	GRAY	80°	5-1877846-9
∅ 5.3-∅ 6.5	GREEN	GRAY	80°	5-1877846-8
∅ 2.7-∅ 3.9	GREEN	GRAY	0°	5-1877846-7
∅ 4.0-∅ 5.2	GREEN	GRAY	0°	5-1877846-6
∅ 5.3-∅ 6.5	GREEN	GRAY	0°	5-1877846-5
∅ 2.7-∅ 3.9	GREEN	BLACK	80°	5-1877846-4
∅ 4.0-∅ 5.2	GREEN	BLACK	80°	5-1877846-3
∅ 5.3-∅ 6.5	GREEN	BLACK	80°	5-1877846-2
∅ 2.7-∅ 3.9	GREEN	BLACK	0°	5-1877846-1
∅ 4.0-∅ 5.2	GREEN	BLACK	0°	5-1877846-0
∅ 5.3-∅ 6.5	GREEN	BLACK	0°	4-1877846-9
∅ 2.7-∅ 3.9	YELLOW	GRAY	80°	4-1877846-8
∅ 4.0-∅ 5.2	YELLOW	GRAY	80°	4-1877846-7
∅ 5.3-∅ 6.5	YELLOW	GRAY	80°	4-1877846-6
∅ 2.7-∅ 3.9	YELLOW	GRAY	0°	4-1877846-5
∅ 4.0-∅ 5.2	YELLOW	GRAY	0°	4-1877846-4
∅ 5.3-∅ 6.5	YELLOW	GRAY	0°	4-1877846-3
∅ 2.7-∅ 3.9	YELLOW	BLACK	80°	4-1877846-2
∅ 4.0-∅ 5.2	YELLOW	BLACK	80°	4-1877846-1
∅ 5.3-∅ 6.5	YELLOW	BLACK	80°	4-1877846-0
∅ 2.7-∅ 3.9	YELLOW	BLACK	0°	3-1877846-9
∅ 4.0-∅ 5.2	YELLOW	BLACK	0°	3-1877846-8
∅ 5.3-∅ 6.5	YELLOW	BLACK	0°	3-1877846-7
CABLE RANGE	COLLET NUT COLOR	LATCH HOUSING COLOR	KEYING	PART NO.
PART NUMBERS 37 THRU 72				

∅ 2.7-∅ 3.9	WHITE	GRAY	80°	3-1877846-6
∅ 4.0-∅ 5.2	WHITE	GRAY	80°	3-1877846-5
∅ 5.3-∅ 6.5	WHITE	GRAY	80°	3-1877846-4
∅ 2.7-∅ 3.9	WHITE	GRAY	0°	3-1877846-3
∅ 4.0-∅ 5.2	WHITE	GRAY	0°	3-1877846-2
∅ 5.3-∅ 6.5	WHITE	GRAY	0°	3-1877846-1
∅ 2.7-∅ 3.9	WHITE	BLACK	80°	3-1877846-0
∅ 4.0-∅ 5.2	WHITE	BLACK	80°	2-1877846-9
∅ 5.3-∅ 6.5	WHITE	BLACK	80°	2-1877846-8
∅ 2.7-∅ 3.9	WHITE	BLACK	0°	2-1877846-7
∅ 4.0-∅ 5.2	WHITE	BLACK	0°	2-1877846-6
∅ 5.3-∅ 6.5	WHITE	BLACK	0°	2-1877846-5
∅ 2.7-∅ 3.9	RED	GRAY	80°	2-1877846-4
∅ 4.0-∅ 5.2	RED	GRAY	80°	2-1877846-3
∅ 5.3-∅ 6.5	RED	GRAY	80°	2-1877846-2
∅ 2.7-∅ 3.9	RED	GRAY	0°	2-1877846-1
∅ 4.0-∅ 5.2	RED	GRAY	0°	2-1877846-0
∅ 5.3-∅ 6.5	RED	GRAY	0°	1-1877846-9
∅ 2.7-∅ 3.9	RED	BLACK	80°	1-1877846-8
∅ 4.0-∅ 5.2	RED	BLACK	80°	1-1877846-7
∅ 5.3-∅ 6.5	RED	BLACK	80°	1-1877846-6
∅ 2.7-∅ 3.9	RED	BLACK	0°	1-1877846-5
∅ 4.0-∅ 5.2	RED	BLACK	0°	1-1877846-4
∅ 5.3-∅ 6.5	RED	BLACK	0°	1-1877846-3
∅ 2.7-∅ 3.9	GRAY	GRAY	80°	1-1877846-2
∅ 4.0-∅ 5.2	GRAY	GRAY	80°	1-1877846-1
∅ 5.3-∅ 6.5	GRAY	GRAY	80°	1-1877846-0
∅ 2.7-∅ 3.9	GRAY	GRAY	0°	1877846-9
∅ 4.0-∅ 5.2	GRAY	GRAY	0°	1877846-8
∅ 5.3-∅ 6.5	GRAY	GRAY	0°	1877846-7
∅ 2.7-∅ 3.9	BLACK	BLACK	80°	1877846-6
∅ 4.0-∅ 5.2	BLACK	BLACK	80°	1877846-5
∅ 5.3-∅ 6.5	BLACK	BLACK	80°	1877846-4
∅ 2.7-∅ 3.9	BLACK	BLACK	0°	1877846-3
∅ 4.0-∅ 5.2	BLACK	BLACK	0°	1877846-2
∅ 5.3-∅ 6.5	BLACK	BLACK	0°	1877846-1
CABLE RANGE	COLLET NUT COLOR	LATCH HOUSING COLOR	KEYING	PART NO.
PART NUMBERS 1 THRU 36				

THIS DRAWING IS A CONTROLLED DOCUMENT.		DWN K. MILLER 09MAR2006	 TE Connectivity
		CHK L. BREKOSKY 09MAR2006	
		APVD -	
DIMENSIONS: mm 		TOLERANCES UNLESS OTHERWISE SPECIFIED: 0 PLC ± 1 PLC ±0.13 2 PLC ±0.08 3 PLC ± 4 PLC ± ANGLES ±1° FINISH	NAME 6 POSITION CABLE COLLET 0 DEGREE AND 80 DEGREE KEYING STRAIGHT PLUG ASSEMBLY PRODUCT SPEC 108-2249 APPLICATION SPEC 114-13184 WEIGHT - SCALE 4:1 SHEET 2 OF 3 REV B3
MATERIAL		CUSTOMER DRAWING	RESTRICTED TO

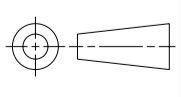


THIS DRAWING IS UNPUBLISHED.      RELEASED FOR PUBLICATION      20

© COPYRIGHT 20      BY      ALL RIGHTS RESERVED.

LOC	DIST	REVISIONS					
		P	LTR	DESCRIPTION	DATE	DWN	APVD
AD	00	-		SEE SHEET 1	-	-	-

Ø 2.7-Ø 3.9	BLACK	GRAY	80°	8-1877846-4
Ø 4.0-Ø 5.2	BLACK	GRAY	80°	8-1877846-3
Ø 5.3-Ø 6.5	BLACK	GRAY	80°	8-1877846-2
Ø 2.7-Ø 3.9	BLACK	GRAY	0°	8-1877846-1
Ø 4.0-Ø 5.2	BLACK	GRAY	0°	8-1877846-0
Ø 5.3-Ø 6.5	BLACK	GRAY	0°	7-1877846-9
Ø 2.7-Ø 3.9	GRAY	BLACK	80°	7-1877846-8
Ø 4.0-Ø 5.2	GRAY	BLACK	80°	7-1877846-7
Ø 5.3-Ø 6.5	GRAY	BLACK	80°	7-1877846-6
Ø 2.7-Ø 3.9	GRAY	BLACK	0°	7-1877846-5
Ø 4.0-Ø 5.2	GRAY	BLACK	0°	7-1877846-4
Ø 5.3-Ø 6.5	GRAY	BLACK	0°	7-1877846-3
CABLE RANGE	BACK-NUT COLOR	LATCH HOUSING COLOR	KEYING	PART NO.
<b>PART NUMBERS 73 THRU 84</b>				

THIS DRAWING IS A CONTROLLED DOCUMENT.		DWN K. MILLER 09MAR2006	<b>STE</b> TE Connectivity	
		CHK L. BREKOSKY 09MAR2006		
DIMENSIONS: mm	TOLERANCES UNLESS OTHERWISE SPECIFIED:	APVD -	NAME 6 POSITION CABLE COLLET 0 DEGREE AND 80 DEGREE KEYING STRAIGHT PLUG ASSEMBLY	
	0 PLC ±- 1 PLC ±0.13 2 PLC ±0.08 3 PLC ±- 4 PLC ±- ANGLES ±1° FINISH	PRODUCT SPEC 108-2249	SIZE A2	CAGE CODE 00779
MATERIAL -		APPLICATION SPEC 114-13184	DRAWING NO 1877846	RESTRICTED TO -
		WEIGHT -	SCALE 4:1      SHEET 3 OF 3      REV B3	
		CUSTOMER DRAWING		