



Chipsmall Limited consists of a professional team with an average of over 10 year of expertise in the distribution of electronic components. Based in Hongkong, we have already established firm and mutual-benefit business relationships with customers from,Europe,America and south Asia,supplying obsolete and hard-to-find components to meet their specific needs.

With the principle of “Quality Parts,Customers Priority,Honest Operation,and Considerate Service”,our business mainly focus on the distribution of electronic components. Line cards we deal with include Microchip,ALPS,ROHM,Xilinx,Pulse,ON,Everlight and Freescale. Main products comprise IC,Modules,Potentiometer,IC Socket,Relay,Connector.Our parts cover such applications as commercial,industrial, and automotives areas.

We are looking forward to setting up business relationship with you and hope to provide you with the best service and solution. Let us make a better world for our industry!



## Contact us

Tel: +86-755-8981 8866 Fax: +86-755-8427 6832

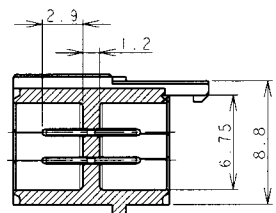
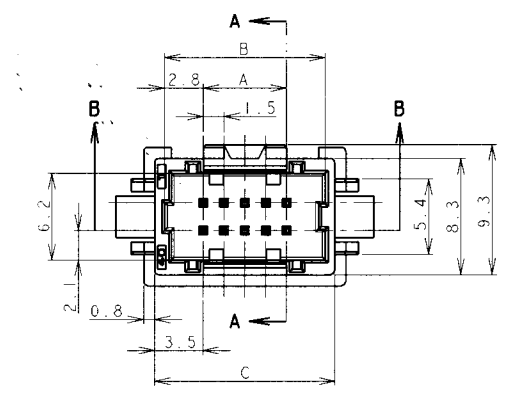
Email & Skype: info@chipsmall.com Web: www.chipsmall.com

Address: A1208, Overseas Decoration Building, #122 Zhenhua RD., Futian, Shenzhen, China

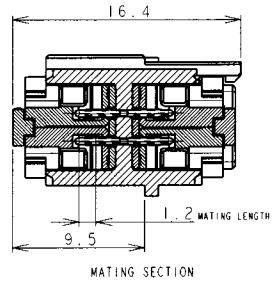


THIS DRAWING IS UNPUBLISHED  
 RELEASED FOR PUBLICATION  
 ALL RIGHTS RESERVED

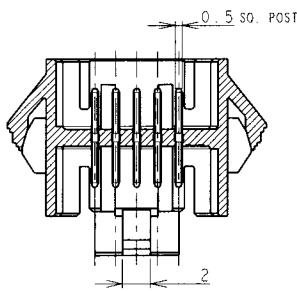
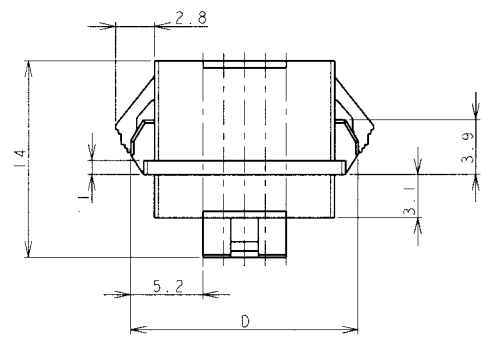
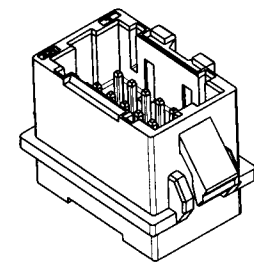
LOC	DIST	REVISIONS					
FB	00	P	LTR	DESCRIPTION	DATE	DWN	APVD
		P		REVISED PER ECO-11-005033	19APR11	RK	HMR



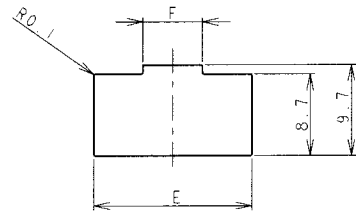
SECT A-A



MATING SECTION

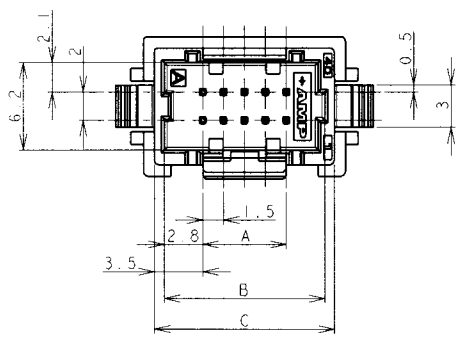


SECT B-B



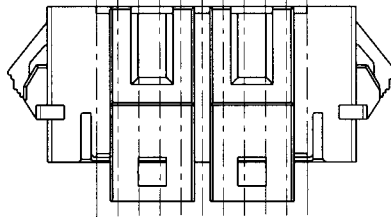
PANEL CUTOUT DIMENSION (TOLERANCE  $\pm 0.1$ mm)  
 (RECOMMENDED PANEL THICKNESS 0.8mm-1.6mm)

- NOTES
- MATERIAL  
 HOUSING: 66NYLON(94V-0) COLOR: WHITE, BLUE  
 POST: TIN BRASS WIRE
  - THE PANEL SHOULD BE PUNCHED SO THAT THE HOUSING ENTERS THE PANEL IN THE SAME DIRECTION AS PUNCH.

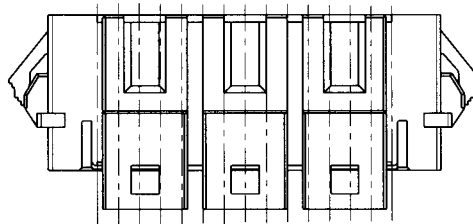


DIMENSIONS mm 		TOLERANCES UNLESS OTHERWISE SPECIFIED: 10 $\pm$ 0.2 30 $\pm$ 0.25 100 $\pm$ 0.3 ANGLE $\pm$ 3°		DWN J. JIANG 04FEB03 CHK S. YAO 04FEB03 APVD T. SASAKI 04FEB03 PRODUCT SPEC 108-60018 APPLICATION SPEC 114-5223 WEIGHT MATERIAL SEE NOTE 1 FINISH SEE NOTE 1 CUSTOMER DRAWING		<b>STE</b> TE Connectivity NAME AMP MINI COMMON TERMINATED (CT) CONNECTOR 1.5 mm PITCH DOUBLE ROW POST HEADER ASS'Y PANEL MOUNT TYPE SIZE A3 CAGE CODE 00779 DRAWING NO. C-292216 RESTRICTED TO	
SCALE				SHEET 1 OF 2		REV P	

LOC	DIST	REVISIONS						
FB	00	P	LTR	DESCRIPTION	DATE	DWN	APVD	
		-		SEE SHEET 1	-	-	-	



22~28 Pos.



30~40 Pos.

2.37	20.6	39.5	38.9	35.5	34.1	28.5	40	9-292216-0	4-292216-0
2.30	20.6	38.0	37.4	34.0	32.6	27.0	38	8-292216-8	3-292216-8
2.21	20.6	36.5	35.9	32.5	31.1	25.5	36	8-292216-6	3-292216-6
2.13	20.6	35.0	34.4	31.0	29.6	24.0	34	8-292216-4	3-292216-4
2.05	20.6	33.5	32.9	29.5	28.1	22.5	32	8-292216-2	3-292216-2
1.97	20.6	32.0	31.4	28.0	26.6	21.0	30	8-292216-0	3-292216-0
1.82	13.5	30.5	29.9	26.5	25.1	19.5	28	7-292216-8	2-292216-8
1.74	13.5	29.0	28.4	25.0	23.6	18.0	26	7-292216-6	2-292216-6
1.63	13.5	27.5	26.9	23.5	22.1	16.5	24	7-292216-4	2-292216-4
1.55	13.5	26.0	25.4	22.0	20.6	15.0	22	7-292216-2	2-292216-2
WEIGHT (g)	F	E	D	C	B	A	Pos	BLUE	WHITE
	DIMENSIONS							P/N	

RELEASED FOR PUBLICATION

ALL RIGHTS RESERVED.

THIS DRAWING IS UNPUBLISHED.

COPYRIGHT BY

DIMENSIONS: mm	DWN	MATERIAL	FINISH
TOLERANCES UNLESS OTHERWISE SPECIFIED: 10 > : ±0.2 30 > 10 : ±0.25 100 > 30 : ±0.3 ANGLE : ±3°	CHK	SEE SHEET 1	SEE SHEET 1
	APVD		
	PRODUCT SPEC		
	APPLICATION SPEC	NAME AMP MINI COMMON TERMINATED (CT) CONNECTOR 1.5 mm PITCH DOUBLE ROW POST HDR ASS'Y PANEL MOUNT TYPE	
	WEIGHT	SIZE	RESTRICTED TO
	CUSTOMER DRAWING	A4 00779 C-292216	
		SCALE	SHEET 2 OF 2 REV P