



Chipsmall Limited consists of a professional team with an average of over 10 year of expertise in the distribution of electronic components. Based in Hongkong, we have already established firm and mutual-benefit business relationships with customers from,Europe,America and south Asia,supplying obsolete and hard-to-find components to meet their specific needs.

With the principle of "Quality Parts,Customers Priority,Honest Operation,and Considerate Service",our business mainly focus on the distribution of electronic components. Line cards we deal with include Microchip,ALPS,ROHM,Xilinx,Pulse,ON,Everlight and Freescale. Main products comprise IC,Modules,Potentiometer,IC Socket,Relay,Connector.Our parts cover such applications as commercial,industrial, and automotives areas.

We are looking forward to setting up business relationship with you and hope to provide you with the best service and solution. Let us make a better world for our industry!



Contact us

Tel: +86-755-8981 8866 Fax: +86-755-8427 6832

Email & Skype: info@chipsmall.com Web: www.chipsmall.com

Address: A1208, Overseas Decoration Building, #122 Zhenhua RD., Futian, Shenzhen, China



THIS DRAWING IS UNPUBLISHED. RELEASED FOR PUBLICATION
 © COPYRIGHT - By - ALL RIGHTS RESERVED.

Loc	DIST	REVISIONS					
		P	LTR	DESCRIPTION	DATE	DWN	APVD
AG	00	BB2		REVISED PER ECO-11-004917	11MAR11	RK	HMR

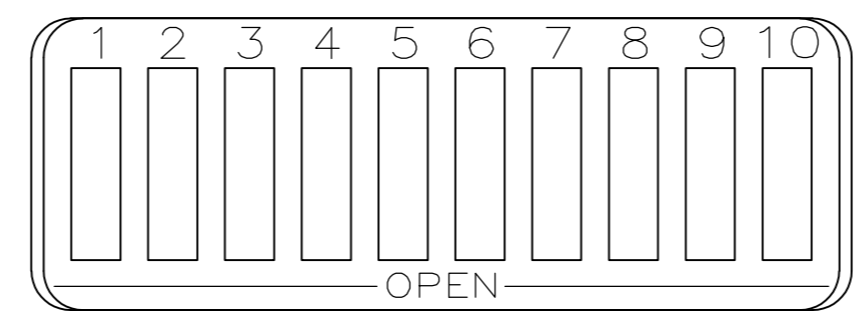
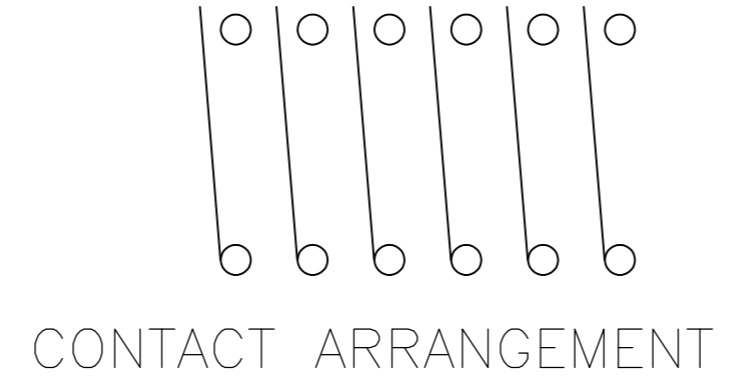
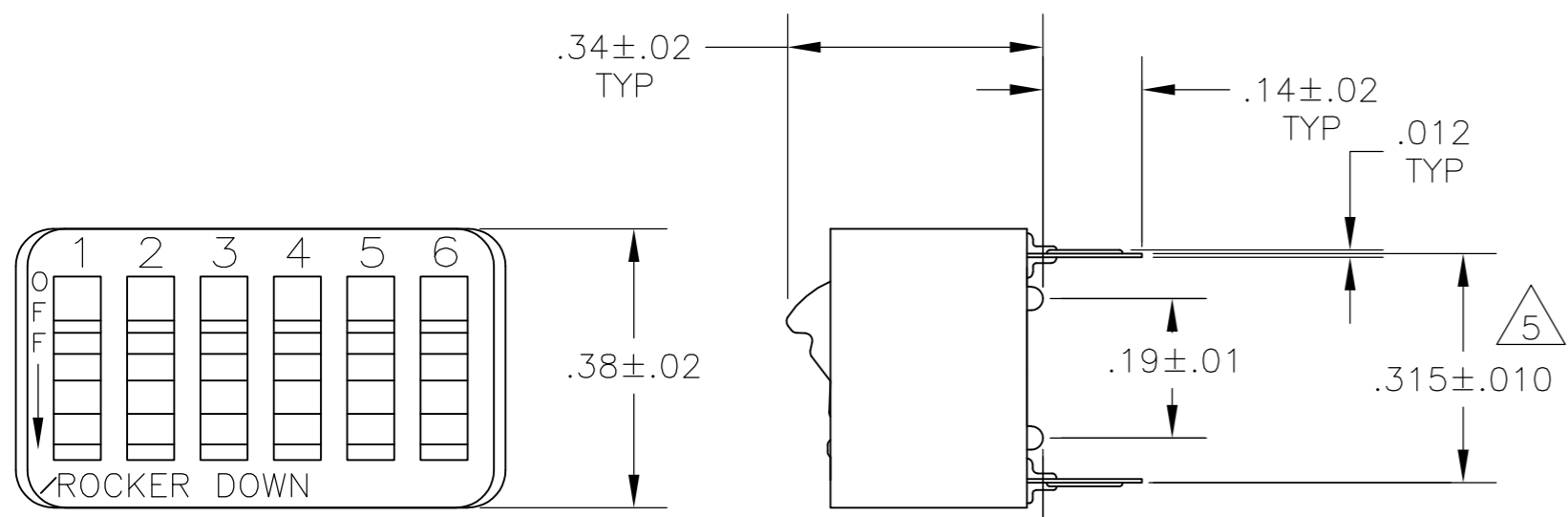


FIG 8

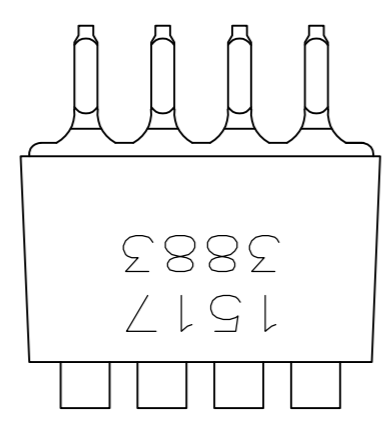
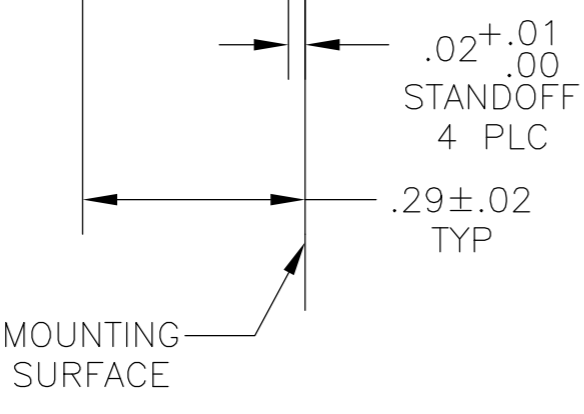
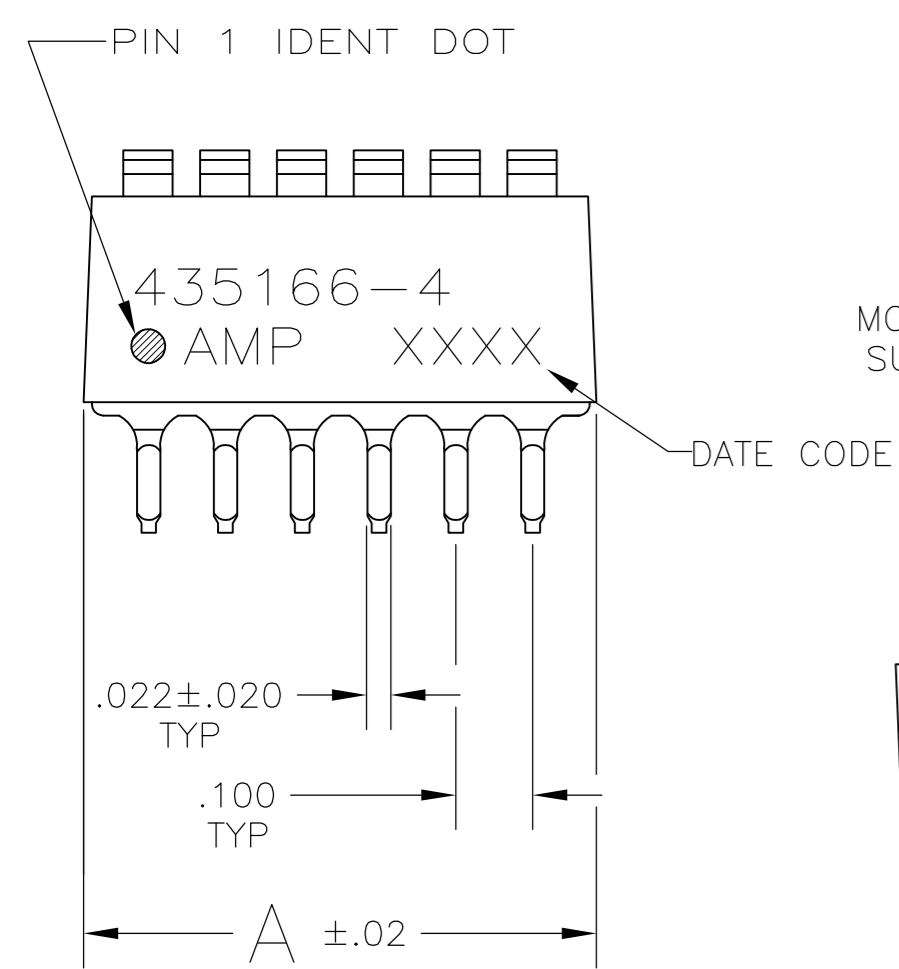


FIG 5

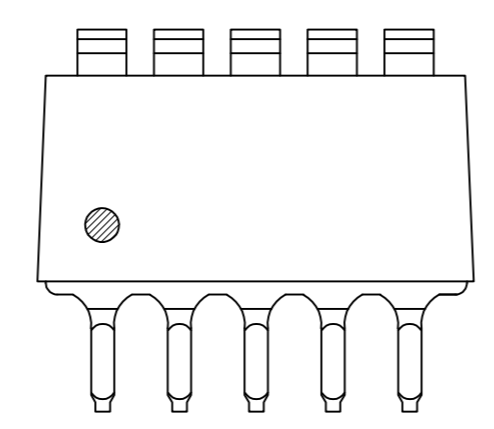


FIG 6

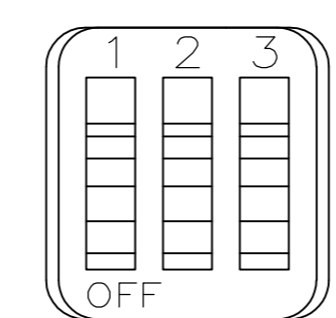


FIG 7

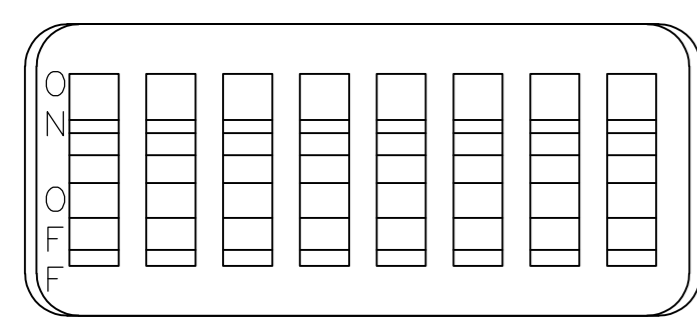


FIG 2

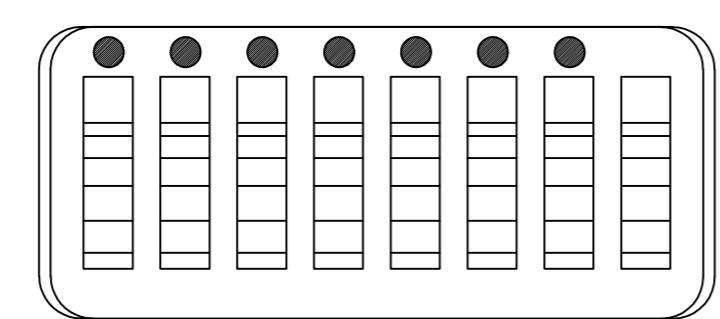


FIG 3

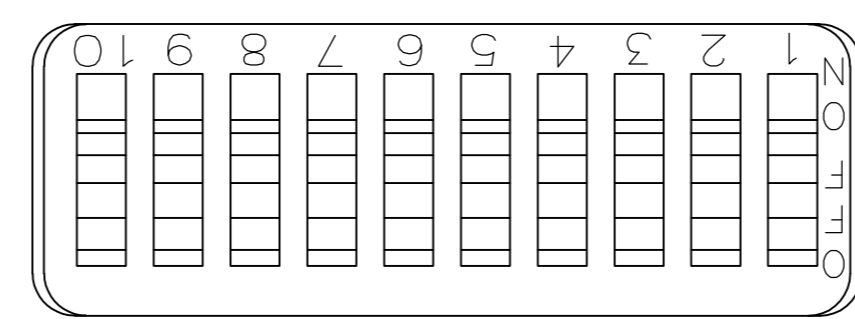


FIG 4

435166-4 SHOWN

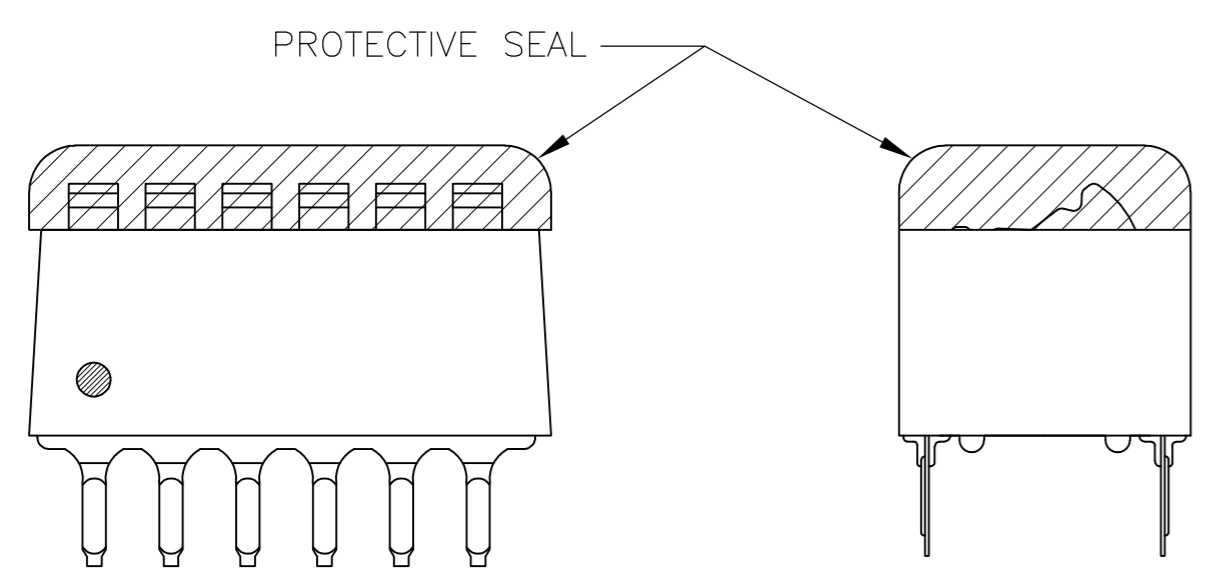


FIG 1

- FOR ADDITIONAL SPECIFICATIONS SEE AMP PRODUCT SPEC 108-7519.
 - SWITCH SHOWN IN OPEN POSITION.
 - ALL CHARACTERS AND ROCKERS ARE WHITE, HOUSING IS BLACK.
 - STAMPING WILL VARY ON 2 AND 3 POSITION SIDES DUE TO SPACE RESTRICTIONS.
- 5 .315 DIMENSION APPLIES AT TERMINAL TIPS. TERMINALS ARE .300 ±.010 AT MOUNTING SURFACE.
 6 STRIPPABLE TRANSPARENT SEAL, SEE FIG 1.
 7 STAMPED CUSTOMER PART NO, SEE FIG 5.
 8 NO PART NO, LOGO AND DATE CODE. SEE FIG 6.
 9 OBSOLETE PARTS: OBSOLETE CIS STREAMLINING PER D.RENAUD/D.SINISI

FIG	DESCRIPTION	DATE	DWN	APVD	
9	OBSOLETE	FIG 8	1.08	10	7-435166-4
	OBS	NONE	.58	5	7-435166-3
	OBS	FIG 4	1.08	10	6-435166-0
	OBS	NONE	1.28	12	5-435166-9
	OBS		1.28	12	5-435166-7
9	OBSOLETE		1.08	10	5-435166-5
	OBS		.98	9	5-435166-4
	OBS		.88	8	5-435166-3
	OBS		.78	7	5-435166-2
	OBS		.68	6	5-435166-1
	OBS		.58	5	5-435166-0
	OBS		.48	4	4-435166-9
	OBS		.38	3	4-435166-8
	OBS		.28	2	4-435166-7
	OBS	FIG 7	.48	4	4-435166-6
	OBS	FIG 3	.78	7	3-435166-5
	OBS	AS SHOWN	1.28	12	3-435166-2
	OBS	FIG 7	.38	3	3-435166-0
	OBS		.28	2	2-435166-9
9	OBSOLETE	FIG 2	.88	8	2-435166-8
	OBS		1.08	10	435166-7
	OBS		.98	9	435166-6
	OBS		.88	8	435166-5
	OBS		.68	6	435166-4
	OBS		.58	5	435166-3
	OBS		.48	4	435166-2
	OBS		.78	7	435166-1
	OBSOLETE	TOP MARKING	A		
	OBSOLETE	PROTECTIVE SEAL			
	OBSOLETE	NO OF POSN			
	OBSOLETE	PART NO			

THIS DRAWING IS A CONTROLLED DOCUMENT.		DWN	R.TALLEY	17NOV89
DIMENSIONS: INCHES		CHK	R.MILLER	06MARGO
TOLERANCES UNLESS OTHERWISE SPECIFIED:		APVD	H.LEITER	07MARGO
0 PLC	± -	PRODUCT SPEC		
1 PLC	± -	APPLICATION SPEC		
2 PLC	± -			
3 PLC	± .005			
4 PLC	± -			
ANGLES	± -			
MATERIAL	HOUSING & ROCKERS: POLYESTER CONTACTS: BERYLLIUM COPPER	FINISH	CONTACTS: PLATED .00030 MIN GOLD IN CONTACT AREA OVER .00050 MIN NICKEL	
WEIGHT		-		
CUSTOMER DRAWING		SCALE	4:1	
SIZE		A2		CAGE CODE
DRAWING NO		00779		RESTRICTED TO
REV		BB2		