



Chipsmall Limited consists of a professional team with an average of over 10 year of expertise in the distribution of electronic components. Based in Hongkong, we have already established firm and mutual-benefit business relationships with customers from,Europe,America and south Asia,supplying obsolete and hard-to-find components to meet their specific needs.

With the principle of “Quality Parts,Customers Priority,Honest Operation,and Considerate Service”,our business mainly focus on the distribution of electronic components. Line cards we deal with include Microchip,ALPS,ROHM,Xilinx,Pulse,ON,Everlight and Freescale. Main products comprise IC,Modules,Potentiometer,IC Socket,Relay,Connector.Our parts cover such applications as commercial,industrial, and automotives areas.

We are looking forward to setting up business relationship with you and hope to provide you with the best service and solution. Let us make a better world for our industry!



## Contact us

Tel: +86-755-8981 8866 Fax: +86-755-8427 6832

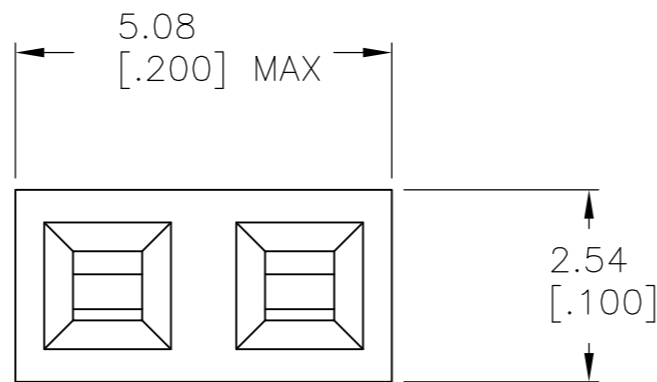
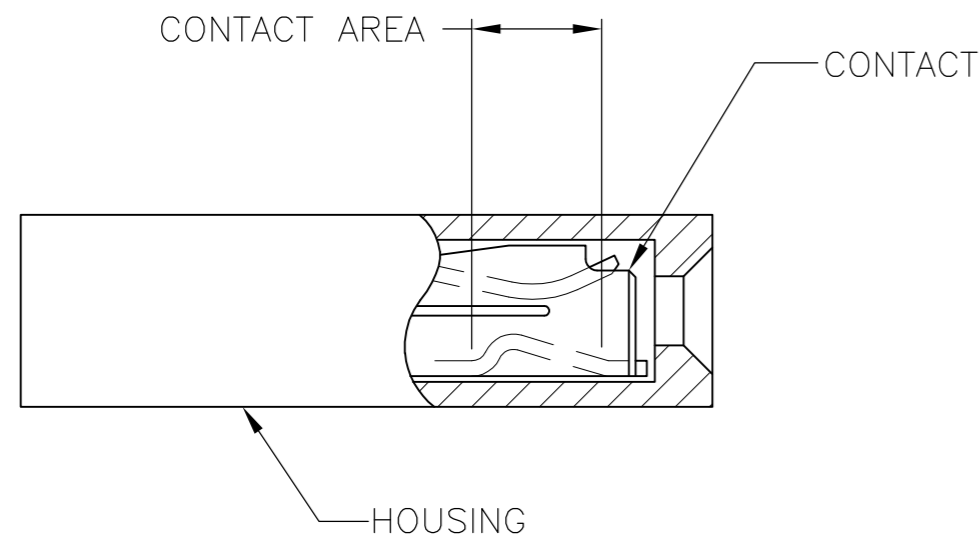
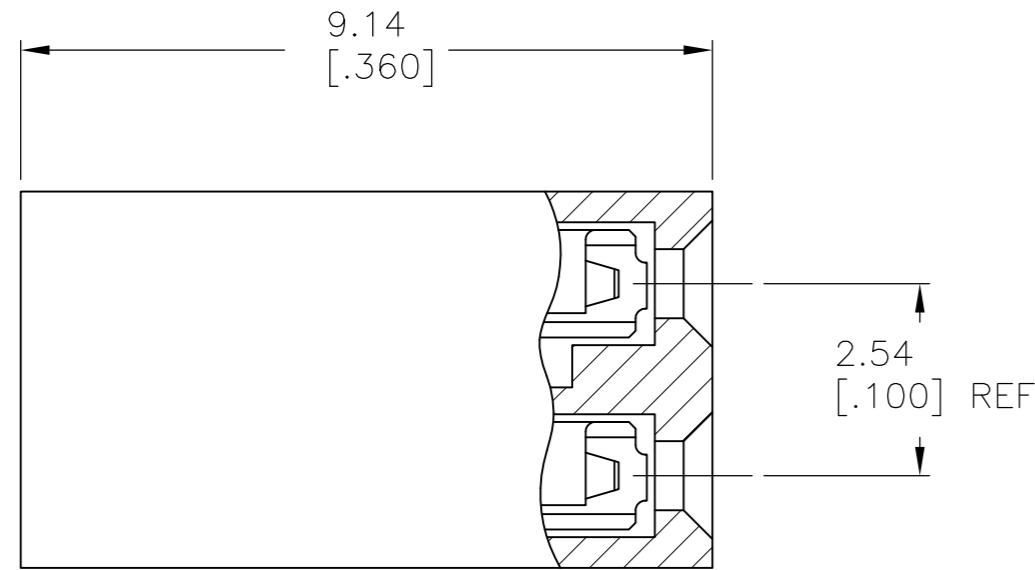
Email & Skype: info@chipsmall.com Web: www.chipsmall.com

Address: A1208, Overseas Decoration Building, #122 Zhenhua RD., Futian, Shenzhen, China



THIS DRAWING IS UNPUBLISHED. RELEASED FOR PUBLICATION  
 © COPYRIGHT - By - ALL RIGHTS RESERVED.

LOC		DIST		REVISIONS			
P	LTR	DESCRIPTION		DATE	DWN	APVD	
	T1	REVISED PER ECO-11-004917		11MAR11	RK	HMR	



- 1 MATERIAL:  
HOUSING: FLAME RETARDANT NYLON, 94V-O,  
OR FLAME RETARDANT POLYESTER 94V-O.  
CONTACT: PHOSPHOR BRONZE.
- 2 CONTACT PLATED WITH 0.00076 [.000030] GOLD INLAY OVER  
0.00076 [.000030] NICKEL IN CONTACT AREA ONLY.
- 3 CONTACT PLATED WITH 0.0013 [.000050] GOLD INLAY OVER  
0.00076 [.000030] NICKEL IN CONTACT AREA ONLY.
- 4 CONTACT PLATED WITH 0.0025 [.000100] TIN OVER ALL.
- 5 CONTACT PLATED WITH 0.00038 [.000015] GOLD INLAY OVER  
0.00076 [.000030] NICKEL IN CONTACT AREA ONLY.
- 6 HOUSING CUT-OFF BURR NOT EXCEED 0.13 [.005].
- 7 CONNECTOR MATES WITH 0.61 [.024] TO 0.66 [.026] SQUARE  
PIN. PIN LENGTH 4.45 [.175] MIN. TO 8.38 [.330] MAX.
- 8 CONTACT PLATED WITH 0.0025 [.000100] MATTE TIN OVER ALL.

	8	BLACK	4-530153-1
OBSOLETE	5	BLACK	3-530153-2
		BLACK	2-530153-2
OBSOLETE	4	NATURAL	2-530153-1
OBSOLETE	3	BLACK	1-530153-2
OBSOLETE		RED	1-530153-0
OBSOLETE		BLUE	530153-6
OBSOLETE	2	YELLOW	530153-4
		BLACK	530153-2
OBSOLETE		NATURAL	530153-1
	FINISH	HOUSING COLOUR	PART NO

THIS DRAWING IS A CONTROLLED DOCUMENT.		DWN	R.TALLEY	12MAR91
DIMENSIONS: mm[INCHES]		CHK	R.MILLER	19MAR91
TOLERANCES UNLESS OTHERWISE SPECIFIED:		APVD	D.HUFFMAN	19MAR91
0 PLC	± -	NAME		
1 PLC	± -	R.TALLEY		
2 PLC	± 0.25 [.010]	PRODUCT SPEC		
3 PLC	± -	108-9062		
4 PLC	± -	APPLICATION SPEC		
ANGLES	± -	114-1045		
MATERIAL	1	WEIGHT	-	SIZE
FINISH	SEE TABLE	CAGE CODE	A2 00779	DRAWING NO
		CUSTOMER DRAWING	C=530153	RESTRICTED TO
		SCALE	10:1	SHEET
			1 OF 1	REV
				T1

**TE** TE Connectivity

TANDEM SPRING SHUNT CONNECTOR  
2 POSITION, 2.54 [.100] CL