



Chipsmall Limited consists of a professional team with an average of over 10 year of expertise in the distribution of electronic components. Based in Hongkong, we have already established firm and mutual-benefit business relationships with customers from,Europe,America and south Asia,supplying obsolete and hard-to-find components to meet their specific needs.

With the principle of "Quality Parts,Customers Priority,Honest Operation,and Considerate Service",our business mainly focus on the distribution of electronic components. Line cards we deal with include Microchip,ALPS,ROHM,Xilinx,Pulse,ON,Everlight and Freescale. Main products comprise IC,Modules,Potentiometer,IC Socket,Relay,Connector.Our parts cover such applications as commercial,industrial, and automotives areas.

We are looking forward to setting up business relationship with you and hope to provide you with the best service and solution. Let us make a better world for our industry!



Contact us

Tel: +86-755-8981 8866 Fax: +86-755-8427 6832

Email & Skype: info@chipsmall.com Web: www.chipsmall.com

Address: A1208, Overseas Decoration Building, #122 Zhenhua RD., Futian, Shenzhen, China

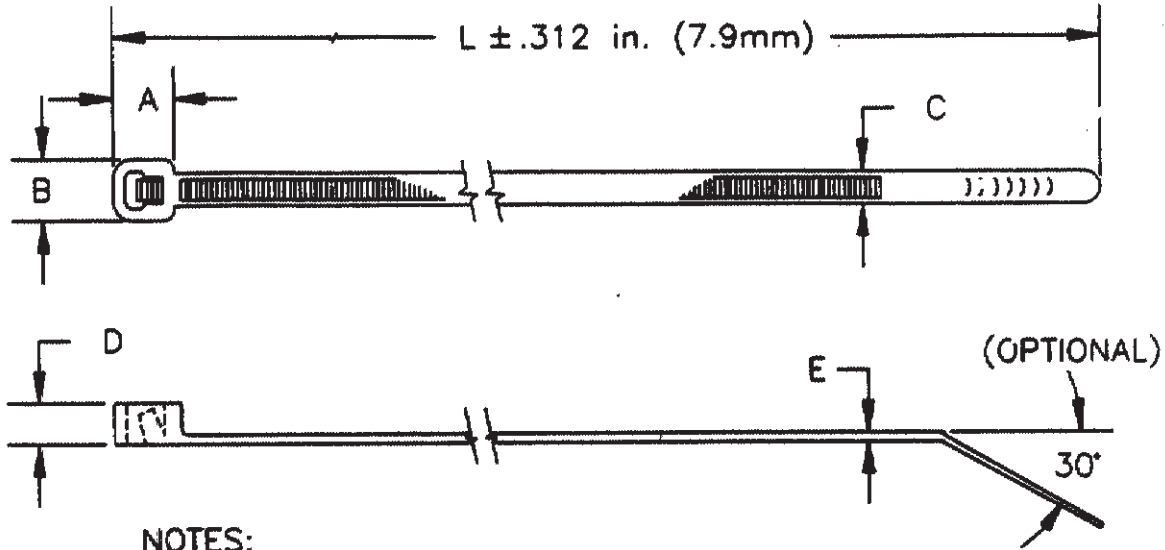


DRAWING MADE IN THIRD ANGLE PROJECTION

DWG NO. 603222

| UNIT OF MEASURE | A | B | C | D | E | L | | MAX. BUNDLE DIA. | MIN. TENSILE STRENGTH |
|-----------------|------|-------|------|------|------|-------|--|------------------|-----------------------|
| INCHES | .389 | .502 | .298 | .326 | .075 | 29.78 | | 8.75 | 120 lbs. |
| MM | 9.88 | 12.75 | 7.57 | 8.28 | 1.91 | 756. | | 222. | 54.43 kg. |

THIS INFORMATION IS CONFIDENTIAL AND IS DISCLOSED TO YOU ON CONDITION THAT NO FURTHER DISCLOSURE IS MADE BY YOU TO OTHER THAN AMP PERSONNEL WITHOUT WRITTEN AUTHORIZATION FROM AMP INCORPORATED, HARRISBURG, PA.



NOTES:

1. MOISTURIZED 1 TO 2.5% WATER.
2. PACKAGED IN HEAT SEALED 3 MIL POLYBAG WITH LABEL PER DWG 404707.
3. MIL No. MS3367-6.

AFC ENGINEERING

JUL 13 1997

ISSUED BY *acc*

CUSTOMER DRAWING UNPUBLISHED

| LOC | DWG SIZE | PART No. | DESCRIPTION | ITEM NO |
|-----------------------|--|--|------------------|--------------|
| D | | 4-603222-9 | NATURAL 50 TY9HS | |
| | | 4-603222-0 | BLACK 50 TY9HSB | |
| QTY. REQ'D. PER ASSY. | REVISION OF EACH ASSY NO. (WHEN BLANK, USE DWG REVISION) | | | |
| 1 | PARTS LIST | | | |
| | MATERIAL | HEAT TREAT | FINISH | |
| | NYLON 6/6 | | | |
| | DIMENSIONS ARE IN INCHES | DRAWN BY: | DATE: | APPROVED BY: |
| | TOLERANCES UNLESS OTHERWISE SPECIFIED: | AD-TEK/VL | 6/25/90 | |
| | 2 PL DEC \pm | CHECK BY: | RELEASE: | |
| | 3 PL DEC \pm .030 | BTM 6/90 | J. Harner 6/90 | |
| | 4 PL DEC \pm | AMP AMP INCORPORATED Harrisburg, Pa. | | |
| | ANGLES \pm | NAME: HEAVY DUTY | | |
| | SURF TEXTURE: J | CABLE TIE 29--3/4 INCH | | |
| | REMOVE BURRS, BREAK SHARP EDGES, .015 R. MAX. | SCALE: | DRAWING No.: | SHEET : |
| | | A | 603222 | 1 OF 1 |
| P | F | LTR | REVISION RECORD | REV.: |
| | | | APP DATE | B |