



Chipsmall Limited consists of a professional team with an average of over 10 year of expertise in the distribution of electronic components. Based in Hongkong, we have already established firm and mutual-benefit business relationships with customers from,Europe,America and south Asia,supplying obsolete and hard-to-find components to meet their specific needs.

With the principle of “Quality Parts,Customers Priority,Honest Operation,and Considerate Service”,our business mainly focus on the distribution of electronic components. Line cards we deal with include Microchip,ALPS,ROHM,Xilinx,Pulse,ON,Everlight and Freescale. Main products comprise IC,Modules,Potentiometer,IC Socket,Relay,Connector.Our parts cover such applications as commercial,industrial, and automotives areas.

We are looking forward to setting up business relationship with you and hope to provide you with the best service and solution. Let us make a better world for our industry!



Contact us

Tel: +86-755-8981 8866 Fax: +86-755-8427 6832

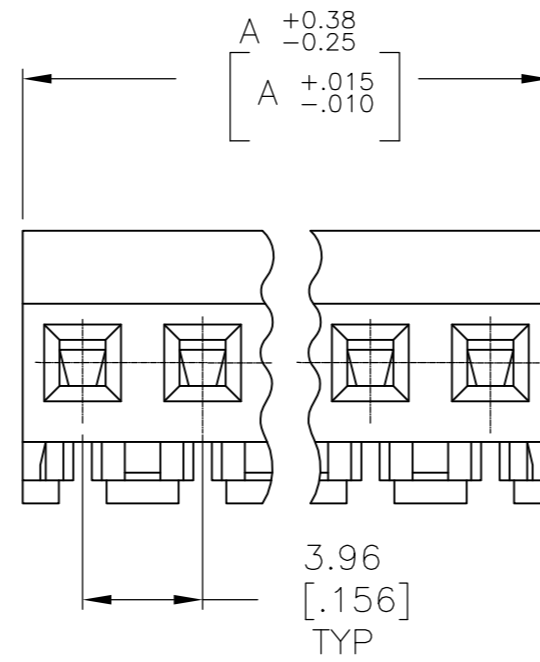
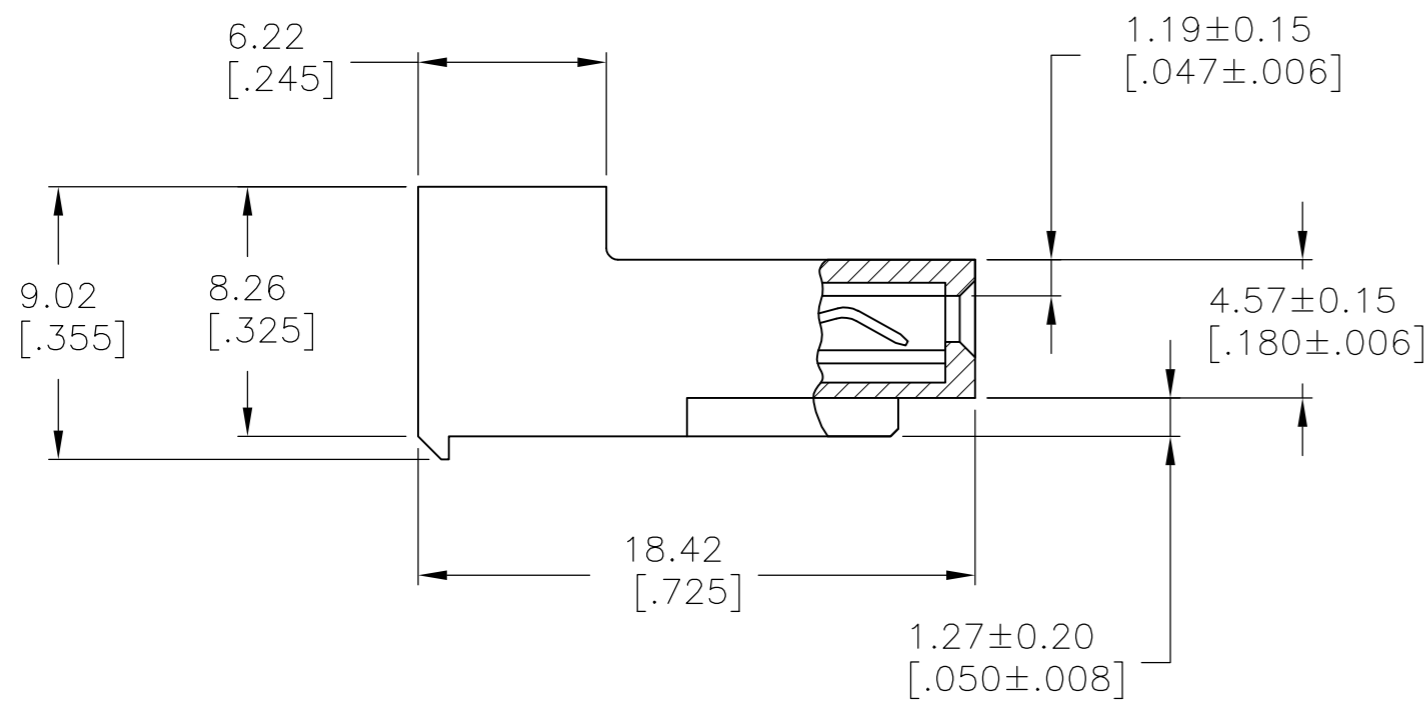
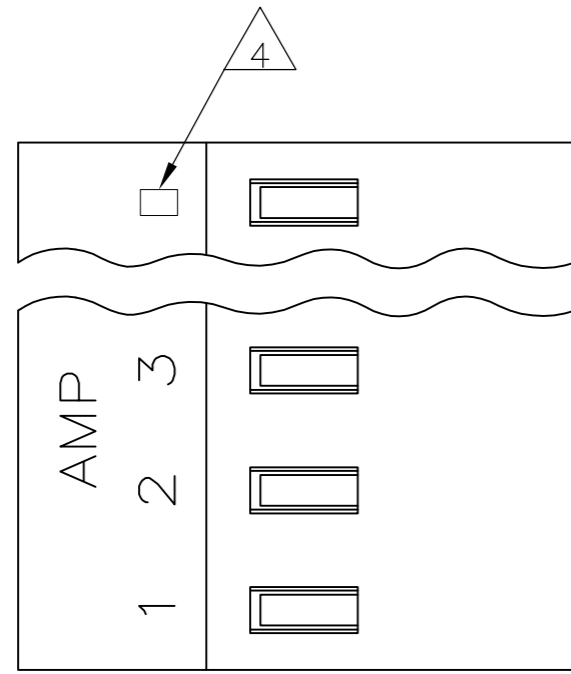
Email & Skype: info@chipsmall.com Web: www.chipsmall.com

Address: A1208, Overseas Decoration Building, #122 Zhenhua RD., Futian, Shenzhen, China



THIS DRAWING IS UNPUBLISHED. RELEASED FOR PUBLICATION
 © COPYRIGHT - By - ALL RIGHTS RESERVED.

LOC	DIST	REVISIONS					
CM	54	P	LTR	DESCRIPTION	DATE	DWN	APVD
		U		REVISED PER ECO-12-007609	03AUG12	KH	SM



95.10	[3.744]	24	5-640435-4
91.14	[3.588]	23	5-640435-3
87.17	[3.432]	22	5-640435-2
83.21	[3.276]	21	5-640435-1
79.25	[3.120]	20	5-640435-0
75.29	[2.964]	19	4-640435-9
71.32	[2.808]	18	4-640435-8
67.36	[2.652]	17	4-640435-7
63.40	[2.496]	16	4-640435-6
59.44	[2.340]	15	4-640435-5
55.47	[2.184]	14	4-640435-4
51.51	[2.028]	13	4-640435-3
47.55	[1.872]	12	4-640435-2
43.59	[1.716]	11	4-640435-1
39.62	[1.560]	10	4-640435-0
35.66	[1.404]	9	3-640435-9
31.70	[1.248]	8	3-640435-8
27.74	[1.092]	7	3-640435-7
23.77	[.936]	6	3-640435-6
19.81	[.780]	5	3-640435-5
15.85	[.624]	4	3-640435-4
11.89	[.468]	3	3-640435-3
7.92	[.312]	2	3-640435-2

7	SUPERSEDED BY 5-640435-4	95.10	[3.744]	24	2-640435-4
	SUPERSEDED BY 5-640435-3	91.14	[3.588]	23	2-640435-3
	SUPERSEDED BY 5-640435-2	87.17	[3.432]	22	2-640435-2
	SUPERSEDED BY 5-640435-1	83.21	[3.276]	21	2-640435-1
	SUPERSEDED BY 5-640435-0	79.25	[3.120]	20	2-640435-0
	SUPERSEDED BY 4-640435-9	75.29	[2.964]	19	1-640435-9
	SUPERSEDED BY 4-640435-8	71.32	[2.808]	18	1-640435-8
	SUPERSEDED BY 4-640435-7	67.36	[2.652]	17	1-640435-7
	SUPERSEDED BY 4-640435-6	63.40	[2.496]	16	1-640435-6
	SUPERSEDED BY 4-640435-5	59.44	[2.340]	15	1-640435-5
	SUPERSEDED BY 4-640435-4	55.47	[2.184]	14	1-640435-4
	SUPERSEDED BY 4-640435-3	51.51	[2.028]	13	1-640435-3
	SUPERSEDED BY 4-640435-2	47.55	[1.872]	12	1-640435-2
	SUPERSEDED BY 4-640435-1	43.59	[1.716]	11	1-640435-1
	SUPERSEDED BY 4-640435-0	39.62	[1.560]	10	1-640435-0
	SUPERSEDED BY 3-640435-9	35.66	[1.404]	9	640435-9
	SUPERSEDED BY 3-640435-8	31.70	[1.248]	8	640435-8
	SUPERSEDED BY 3-640435-7	27.74	[1.092]	7	640435-7
	SUPERSEDED BY 3-640435-6	23.77	[.936]	6	640435-6
	SUPERSEDED BY 3-640435-5	19.81	[.780]	5	640435-5
		15.85	[.624]	4	640435-4
		11.89	[.468]	3	640435-3
		7.92	[.312]	2	640435-2

- 1 MATERIAL: CONNECTOR - NYLON UL94V-2.
CONTACTS - 0.30[.012] THICK COPPER ALLOY
BRIGHT TIN-LEAD 0.00203[.000080] MIN THICK
FOR CONTACT 640435-2 THRU 2-640435-4
MATTE WHISKER MITIGATED TIN 0.00203[.000080]
MIN THICKNESS OVER NICKEL UNDERPLATE FOR
3-640435-2 THRU 5-640435-4
- 2 CONTACTS ACCEPT 26 AWG WIRE WITH 2.41[.095] MAX
INSULATION DIAMETER.
- 3 CONTACTS MUST ACCEPT 1.14±0.03[.045±.001] SQUARE
POST AND REMAIN LOCKED IN POSITION.
- 4 IDENTIFICATION NUMBER FOR LAST CIRCUIT MAY
NOT APPEAR ON ALL ASSEMBLIES.
- 5 DIMENSIONS IN BRACKETS ARE IN INCHES.
- 6 HOUSING FEATURES ARE: CLOSED END WITHOUT
LOCKING RAMP.
- 7 OBSOLETE PARTS: OBSOLETE CIS STREAMLINING PER D.RENAUD/D.SINISI
- 8 BLUE COLOR STRIPE ON HOUSING (NOT SHOWN) MAY RUN DOWN BETWEEN RIBS.

7 SUPERSEDED BY 3-640435-3

THIS DRAWING IS A CONTROLLED DOCUMENT.		DWN B.LEWIS 12-2-91	TE Connectivity	
DIMENSIONS: mm [INCHES]		CHK R.SWING 12-2-91	NAME	
TOLERANCES UNLESS OTHERWISE SPECIFIED:		APVD D.CLARK 19-2-91	MTA-156 CONNECTOR ASSEMBLY, 26 AWG, STANDARD	
0 PLC ± - 1 PLC ± - 2 PLC ± - 3 PLC ± 0.13 [.005] 4 PLC ± - ANGLES ± -		PRODUCT SPEC 108-1051	SIZE A2	CAGE CODE 00779
MATERIAL		APPLICATION SPEC 114-1020	DRAWING NO C=640435	RESTRICTED TO
FINISH		WEIGHT -	SCALE 4:1	SHEET 1 OF 1
1		CUSTOMER DRAWING		REV U

METRIC