



Chipsmall Limited consists of a professional team with an average of over 10 year of expertise in the distribution of electronic components. Based in Hongkong, we have already established firm and mutual-benefit business relationships with customers from,Europe,America and south Asia,supplying obsolete and hard-to-find components to meet their specific needs.

With the principle of “Quality Parts,Customers Priority,Honest Operation,and Considerate Service”,our business mainly focus on the distribution of electronic components. Line cards we deal with include Microchip,ALPS,ROHM,Xilinx,Pulse,ON,Everlight and Freescale. Main products comprise IC,Modules,Potentiometer,IC Socket,Relay,Connector.Our parts cover such applications as commercial,industrial, and automotives areas.

We are looking forward to setting up business relationship with you and hope to provide you with the best service and solution. Let us make a better world for our industry!



## Contact us

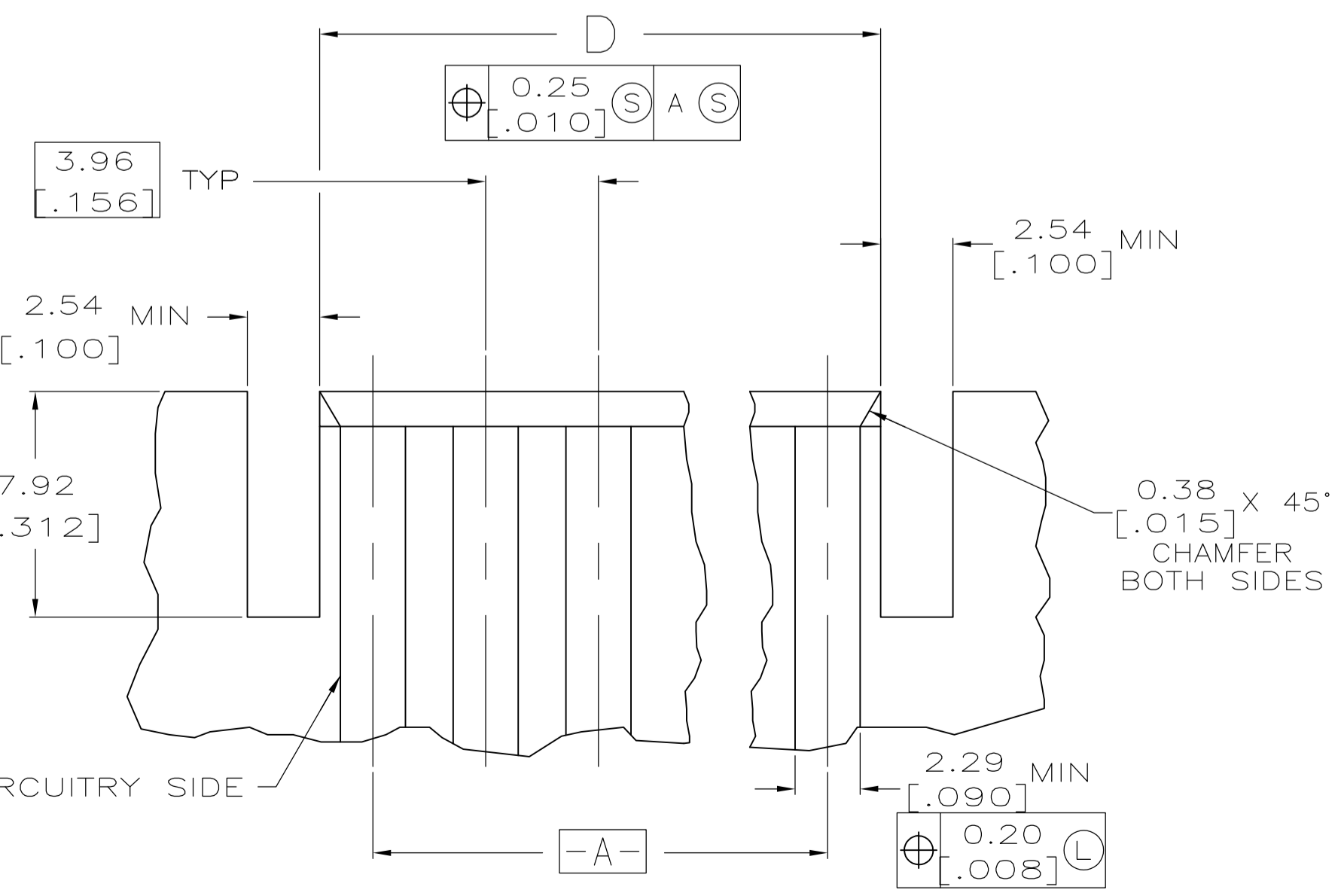
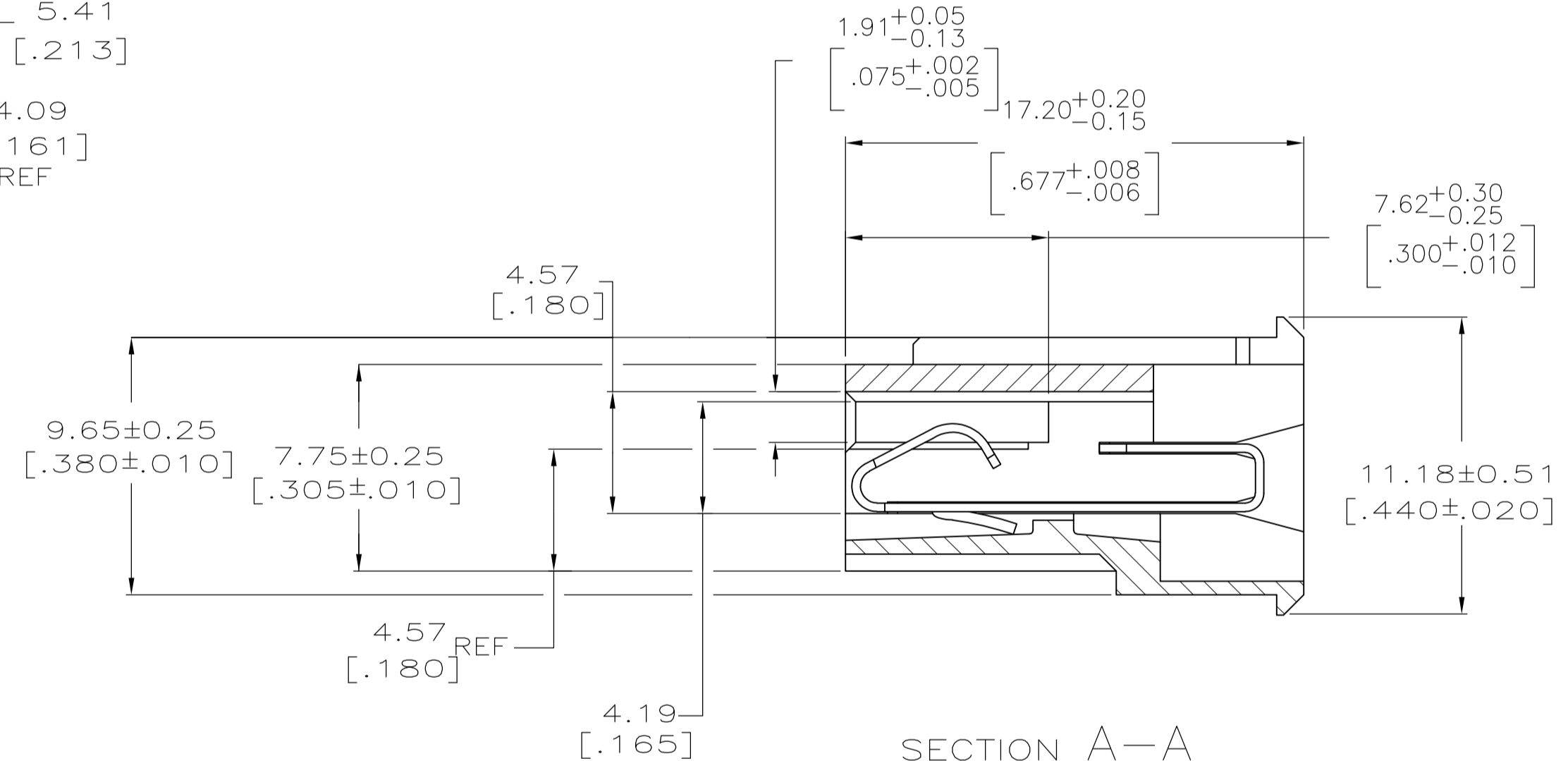
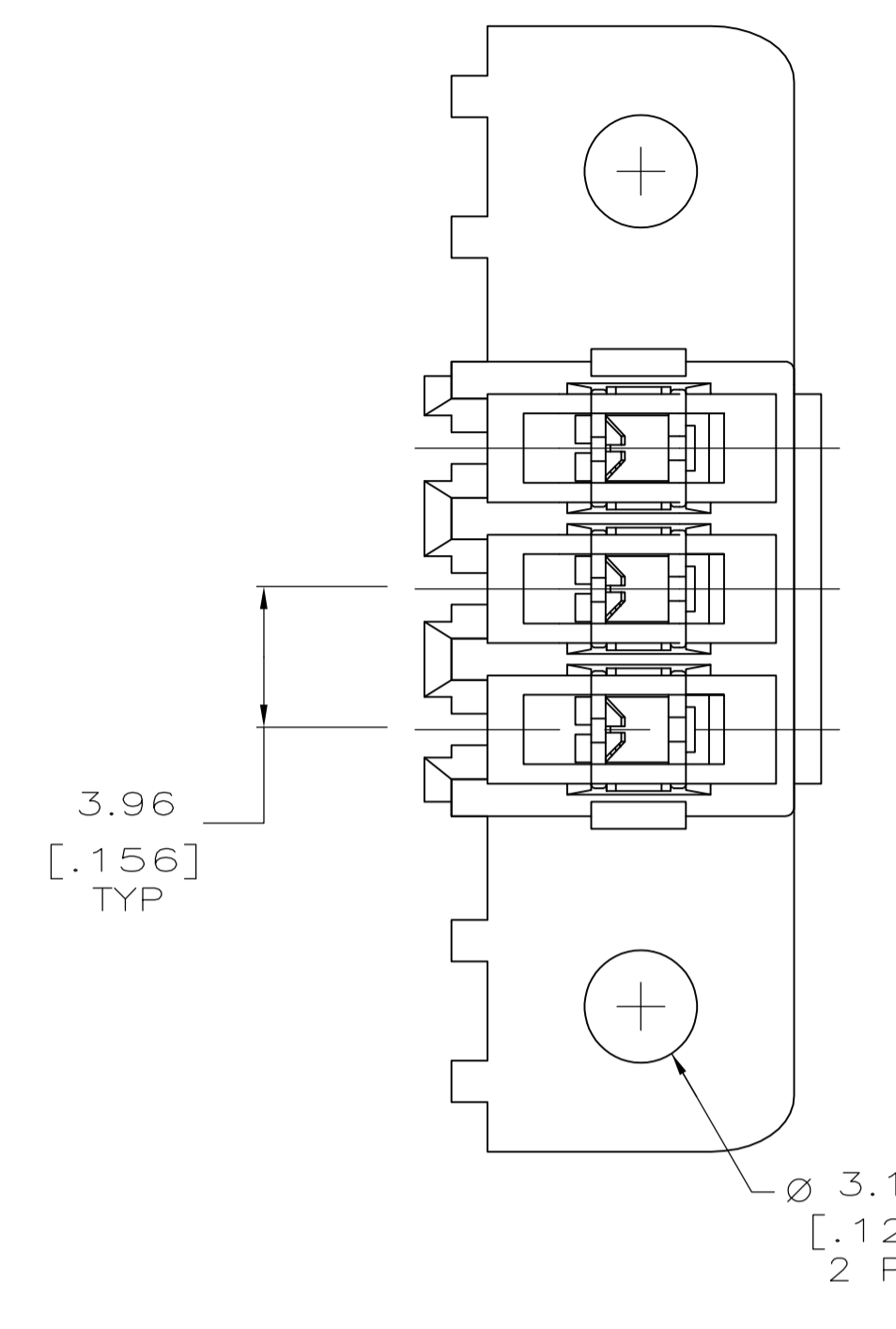
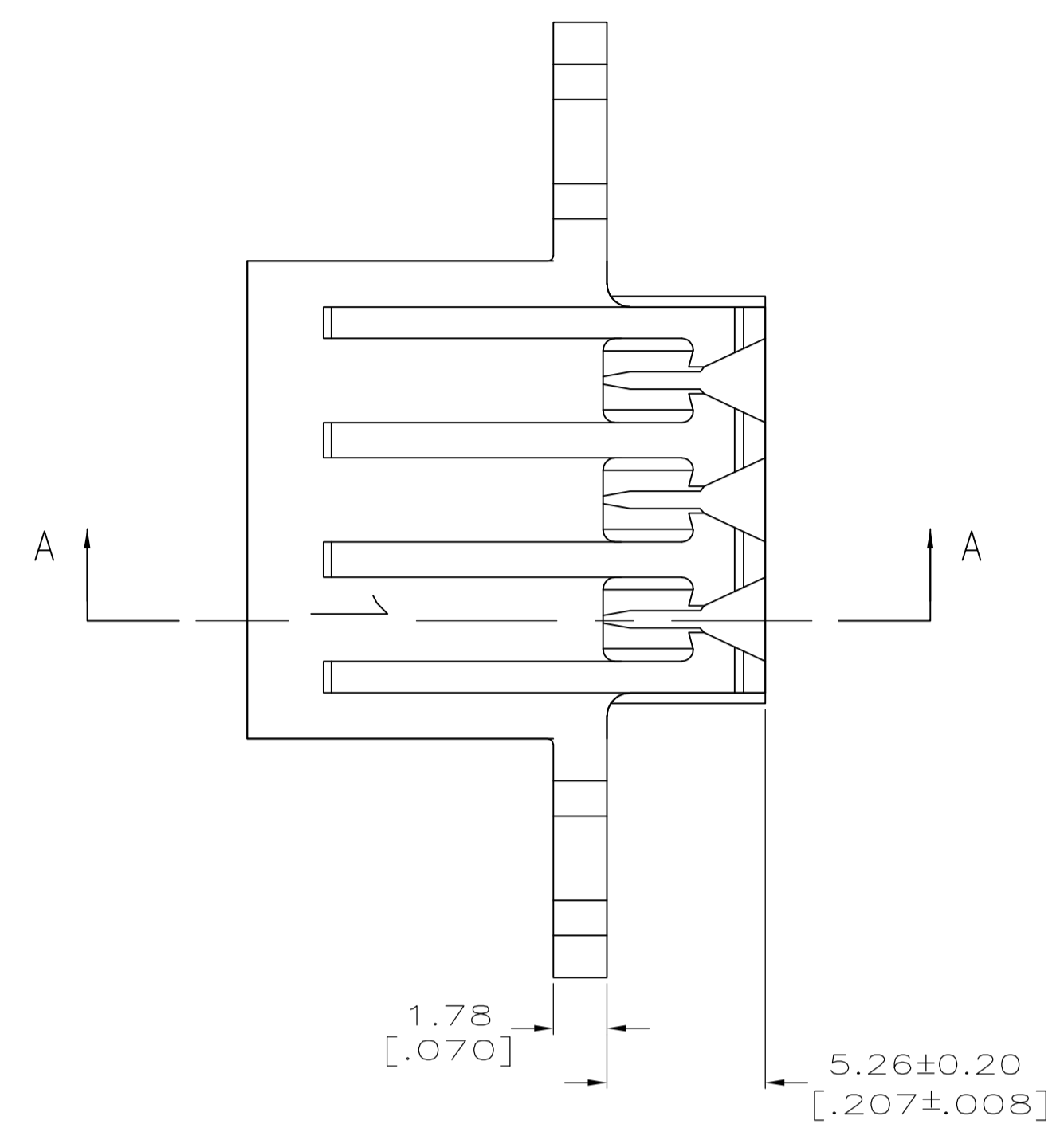
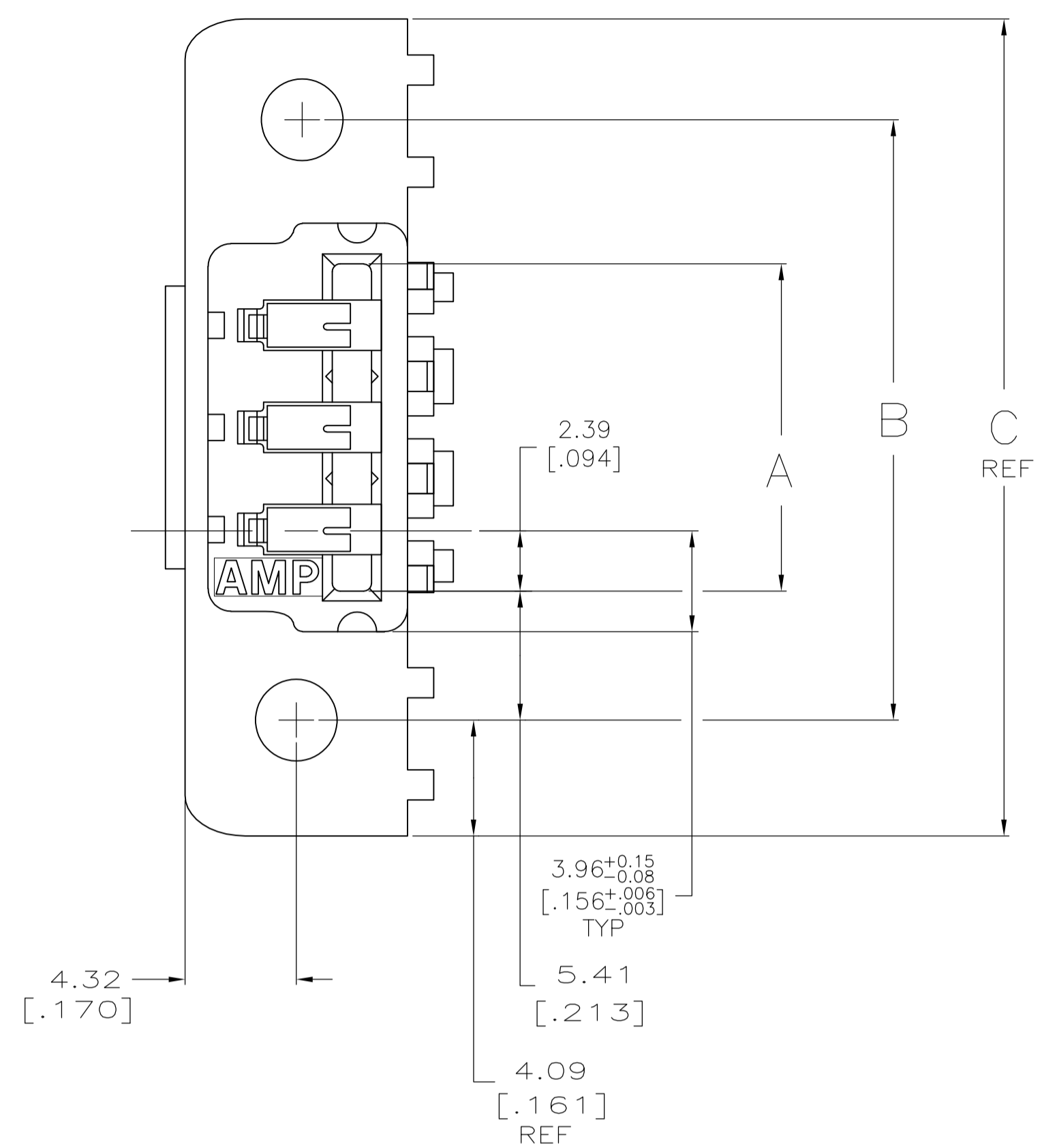
Tel: +86-755-8981 8866 Fax: +86-755-8427 6832

Email & Skype: info@chipsmall.com Web: www.chipsmall.com

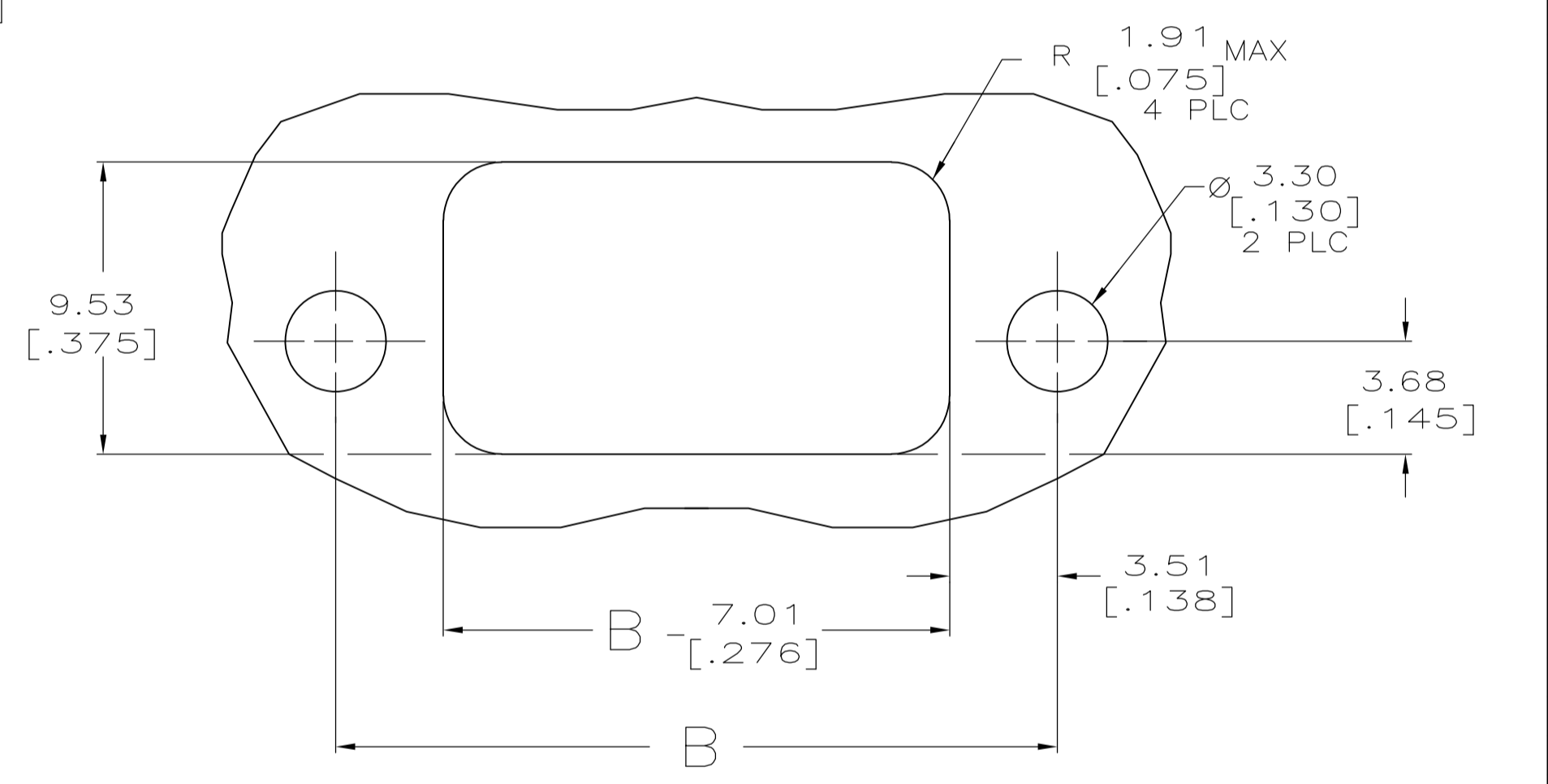
Address: A1208, Overseas Decoration Building, #122 Zhenhua RD., Futian, Shenzhen, China



LOC		DIST		REVISIONS			
CM	0	P	LTR	DESCRIPTION	DATE	DWN	APVD
		R3		REVISED PER ECO-11-014117	12JUL11	HMR	SM



- MATERIAL:  
CONNECTOR: POLYESTER UL94V-0 (WHITE).  
CONTACTS: 0.30 [.012] THK COPPER ALLOY.
  - CONTACT ACCEPT #24 AWG WIRE WITH 2.41 [.095] MAXIMUM INSULATION DIAMETER.
  - CONNECTOR MATES WITH 1.57±0.20 [.062±.008] THICK PC BOARD.
  - HOUSING FEATURES: CLOSED END, STANDARD MOUTH WITH MOUNTING EARS.
- ⚠ CONTACT FINISH: BRIGHT TIN-LEAD 0.00203 [.000080] MIN THK.
  - ⚠ CONTACT FINISH: MATTE WHISKER MITIGATED TIN 0.00203 [.000080] MIN THICKNESS OVER NICKEL UNDERPLATE.
  - ⚠ OBSOLETE PARTS: OBSOLETE CIS STREAMLINING PER D.RENAUD/D.SINISI



RECOMMENDED PANEL CUTOUT

CONTACT FINISH	D	C	B	A	NO. OF CIRCUITS	PART NUMBER
⚠	95.50 [3.760]	114.91 [4.524]	106.73 [4.202]	95.91 [3.776]	24	5-640867-4
	91.54 [3.604]	110.95 [4.368]	102.77 [4.046]	91.95 [3.620]	23	5-640867-3
	87.58 [3.448]	106.98 [4.212]	98.81 [3.890]	87.99 [3.464]	22	5-640867-2
	83.62 [3.292]	103.02 [4.056]	94.84 [3.734]	84.02 [3.308]	21	5-640867-1
	79.65 [3.136]	99.06 [3.900]	90.88 [3.578]	80.06 [3.152]	20	5-640867-0
	71.73 [2.824]	91.14 [3.588]	82.96 [3.266]	72.14 [2.840]	18	4-640867-8
	59.84 [2.356]	79.25 [3.120]	71.07 [2.798]	60.25 [2.372]	15	4-640867-5
	47.96 [1.888]	67.36 [2.652]	59.18 [2.330]	48.36 [1.904]	12	4-640867-2
	36.07 [1.420]	55.47 [2.184]	47.29 [1.862]	36.47 [1.436]	9	3-640867-9
	24.18 [.952]	43.59 [1.716]	35.41 [1.394]	24.59 [.968]	6	3-640867-6
12.29 [.484]	31.70 [1.248]	23.52 [.926]	12.70 [.500]	3	3-640867-3	
SUPERSEDED ⚠	95.50 [3.760]	114.91 [4.524]	106.73 [4.202]	95.91 [3.776]	24	2-640867-4
	91.54 [3.604]	110.95 [4.368]	102.77 [4.046]	91.95 [3.620]	23	2-640867-3
	87.58 [3.448]	106.98 [4.212]	98.81 [3.890]	87.99 [3.464]	22	2-640867-2
	83.62 [3.292]	103.02 [4.056]	94.84 [3.734]	84.02 [3.308]	21	2-640867-1
	79.65 [3.136]	99.06 [3.900]	90.88 [3.578]	80.06 [3.152]	20	2-640867-0
	71.73 [2.824]	91.14 [3.588]	82.96 [3.266]	72.14 [2.840]	18	1-640867-8
	59.84 [2.356]	79.25 [3.120]	71.07 [2.798]	60.25 [2.372]	15	1-640867-5
	47.96 [1.888]	67.36 [2.652]	59.18 [2.330]	48.36 [1.904]	12	1-640867-2
	36.07 [1.420]	55.47 [2.184]	47.29 [1.862]	36.47 [1.436]	9	640867-9
	24.18 [.952]	43.59 [1.716]	35.41 [1.394]	24.59 [.968]	6	640867-6
12.29 [.484]	31.70 [1.248]	23.52 [.926]	12.70 [.500]	3	640867-3	
OBSOLETE ⚠	95.50 [3.760]	114.91 [4.524]	106.73 [4.202]	95.91 [3.776]	24	640867-4
	91.54 [3.604]	110.95 [4.368]	102.77 [4.046]	91.95 [3.620]	23	640867-3
	87.58 [3.448]	106.98 [4.212]	98.81 [3.890]	87.99 [3.464]	22	640867-2

SUPERSEDED ⚠

SUPERSEDED ⚠

OBSOLETE ⚠

THIS DRAWING IS A CONTROLLED DOCUMENT. DWN: K. SALMON 10-31-91. CHK: R. SWING 10-31-91. APVD: -

TE Connectivity

MTA-156  
CARD EDGE CONNECTOR ASSEMBLY,  
24 AWG, PANEL MOUNT

SIZE: A1 CAGE CODE: 007799 DRAWING NO: 640867

SCALE: 5:1 SHEET: 1 of 1 REV: R3

