



Chipsmall Limited consists of a professional team with an average of over 10 year of expertise in the distribution of electronic components. Based in Hongkong, we have already established firm and mutual-benefit business relationships with customers from,Europe,America and south Asia,supplying obsolete and hard-to-find components to meet their specific needs.

With the principle of "Quality Parts,Customers Priority,Honest Operation,and Considerate Service",our business mainly focus on the distribution of electronic components. Line cards we deal with include Microchip,ALPS,ROHM,Xilinx,Pulse,ON,Everlight and Freescale. Main products comprise IC,Modules,Potentiometer,IC Socket,Relay,Connector.Our parts cover such applications as commercial,industrial, and automotives areas.

We are looking forward to setting up business relationship with you and hope to provide you with the best service and solution. Let us make a better world for our industry!



## Contact us

Tel: +86-755-8981 8866 Fax: +86-755-8427 6832

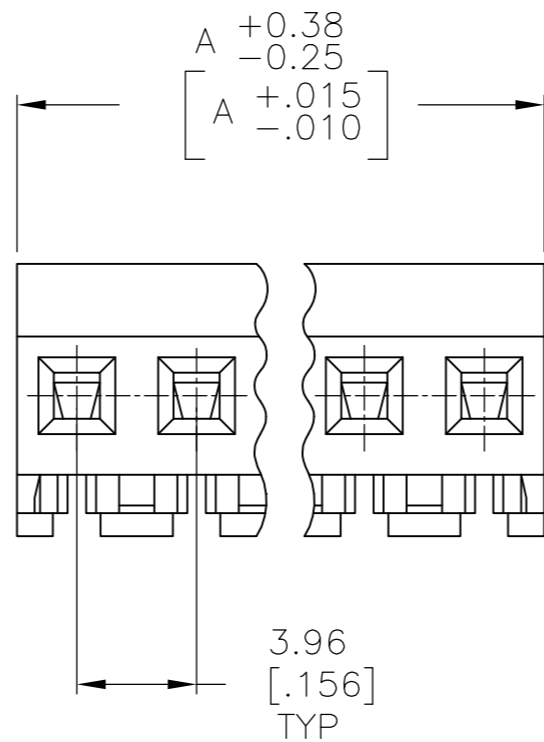
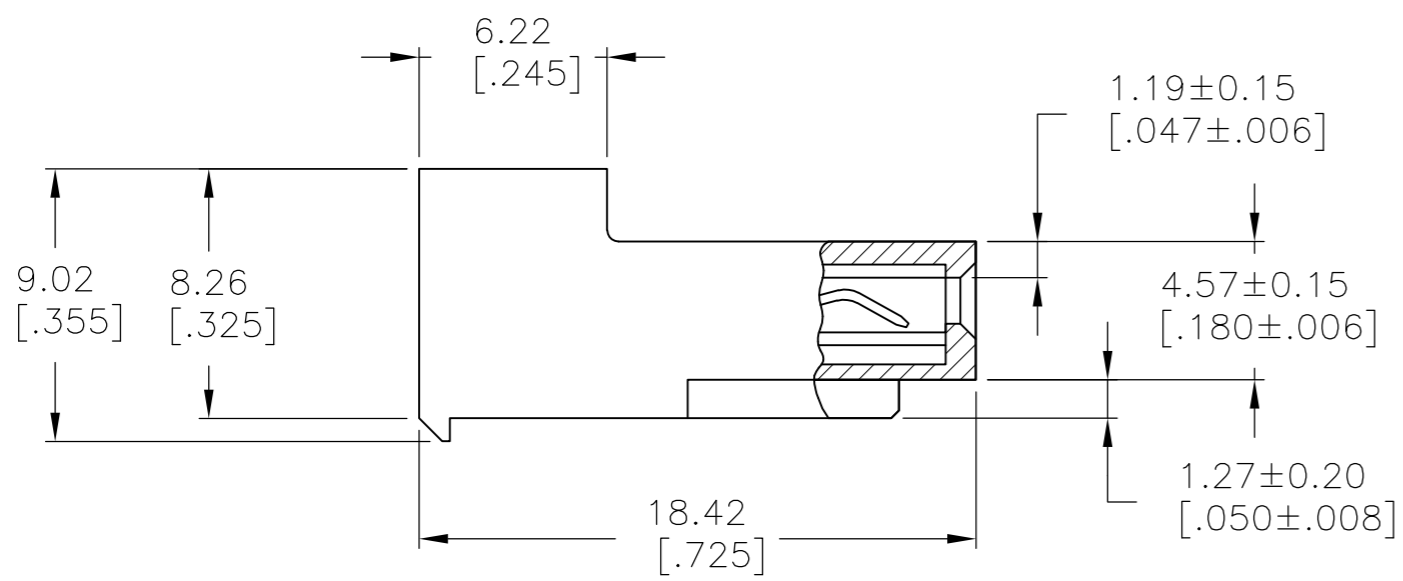
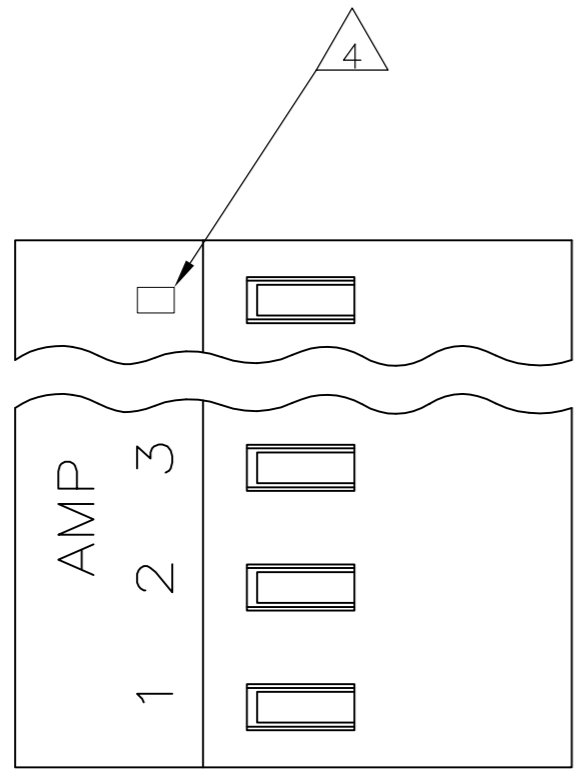
Email & Skype: info@chipsmall.com Web: www.chipsmall.com

Address: A1208, Overseas Decoration Building, #122 Zhenhua RD., Futian, Shenzhen, China



THIS DRAWING IS UNPUBLISHED. RELEASED FOR PUBLICATION  
 © COPYRIGHT - By - ALL RIGHTS RESERVED.

LOC	DIST	REVISIONS					
CM	00	P	LTR	DESCRIPTION	DATE	DWN	APVD
		V		REVISED PER ECO-12-007610	25JUL12	KH	SM



1 MATERIAL: CONNECTOR - NYLON UL94V-2  
 CONTACTS - 0.30[.012] THICK COPPER ALLOY  
 0.00076[.000030] GOLD THK OR 0.00008[.000003] MIN THK  
 GOLD FLASH OVER 0.00068[.000027] THK PALLADIUM NICKEL,  
 PER TE CONNECTIVITY'S DISCRETION, IN CONTACT  
 AREA WITH BRIGHT TIN-LEAD FOR 641224-2  
 THRU 2-641224-4, MATTE WHISKER MITIGATED  
 TIN FOR 3-641224-2 THRU 5-641224-4  
 OVER NICKEL UNDERPLATE.

2 CONTACTS ACCEPT 22 AWG WIRE WITH 2.41[.095] MAX  
 INSULATION DIAMETER.

3 CONTACTS MUST ACCEPT 1.14±0.03 [.045±.001] SQUARE  
 POST AND REMAIN LOCKED IN POSITION.

4 IDENTIFICATION NUMBER FOR LAST CIRCUIT MAY  
 NOT APPEAR ON ALL ASSEMBLIES.

5 DIMENSIONS IN BRACKETS ARE IN INCHES.

6 HOUSING FEATURES ARE: CLOSED END WITHOUT  
 LOCKING RAMP.

7 OBSOLETE PARTS: OBSOLETE CIS STREAMLINING PER D.RENAUD/D.SINISI

8 RED COLOR STRIPE ON HOUSING (NOT SHOWN) MAY RUN DOWN BETWEEN RIBS.

DIM A	NO OF CIRCUITS	PART NO
95.10 [3.744]	24	5-641224-4
91.14 [3.588]	23	5-641224-3
87.17 [3.432]	22	5-641224-2
83.21 [3.276]	21	5-641224-1
79.25 [3.120]	20	5-641224-0
75.29 [2.964]	19	4-641224-9
71.32 [2.808]	18	4-641224-8
67.36 [2.652]	17	4-641224-7
63.40 [2.496]	16	4-641224-6
59.44 [2.340]	15	4-641224-5
55.47 [2.184]	14	4-641224-4
51.51 [2.028]	13	4-641224-3
47.55 [1.872]	12	4-641224-2
43.59 [1.716]	11	4-641224-1
39.62 [1.560]	10	4-641224-0
35.66 [1.404]	9	3-641224-9
31.70 [1.248]	8	3-641224-8
27.74 [1.092]	7	3-641224-7
23.77 [.936]	6	3-641224-6
19.81 [.780]	5	3-641224-5
15.85 [.624]	4	3-641224-4
11.89 [.468]	3	3-641224-3
7.92 [.312]	2	3-641224-2
75.29 [2.964]	19	1-641224-9
71.32 [2.808]	18	1-641224-8
67.36 [2.652]	17	1-641224-7
63.40 [2.496]	16	1-641224-6
59.44 [2.340]	15	1-641224-5
55.47 [2.184]	14	1-641224-4
51.51 [2.028]	13	1-641224-3
47.55 [1.872]	12	1-641224-2
43.59 [1.716]	11	1-641224-1
39.62 [1.560]	10	1-641224-0
35.66 [1.404]	9	641224-9
31.70 [1.248]	8	641224-8
27.74 [1.092]	7	641224-7
23.77 [.936]	6	641224-6
19.81 [.780]	5	641224-5
15.85 [.624]	4	641224-4
11.89 [.468]	3	641224-3
7.92 [.312]	2	641224-2

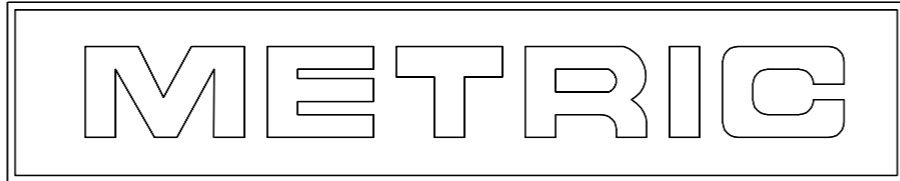
7 SUPERSEDED

7 SUPERSEDED

7 SUPERSEDED

7 SUPERSEDED

7 SUPERSEDED



THIS DRAWING IS A CONTROLLED DOCUMENT.

DIMENSIONS: mm [INCHES]	TOLERANCES UNLESS OTHERWISE SPECIFIED:	DWN B. LEWIS 12 FEB 91	
	0 PLC ± - 1 PLC ± - 2 PLC ± - 3 PLC ± - 4 PLC ± - ANGLES ± -	CHK R. SWING 12 FEB 91	
		APVD D. CLARK 20 FEB 91	
MATERIAL	FINISH	NAME 108-1051 APPLICATION SPEC 114-1020 WEIGHT - CUSTOMER DRAWING	