



Chipsmall Limited consists of a professional team with an average of over 10 year of expertise in the distribution of electronic components. Based in Hongkong, we have already established firm and mutual-benefit business relationships with customers from,Europe,America and south Asia,supplying obsolete and hard-to-find components to meet their specific needs.

With the principle of “Quality Parts,Customers Priority,Honest Operation,and Considerate Service”,our business mainly focus on the distribution of electronic components. Line cards we deal with include Microchip,ALPS,ROHM,Xilinx,Pulse,ON,Everlight and Freescale. Main products comprise IC,Modules,Potentiometer,IC Socket,Relay,Connector.Our parts cover such applications as commercial,industrial, and automotives areas.

We are looking forward to setting up business relationship with you and hope to provide you with the best service and solution. Let us make a better world for our industry!



Contact us

Tel: +86-755-8981 8866 Fax: +86-755-8427 6832

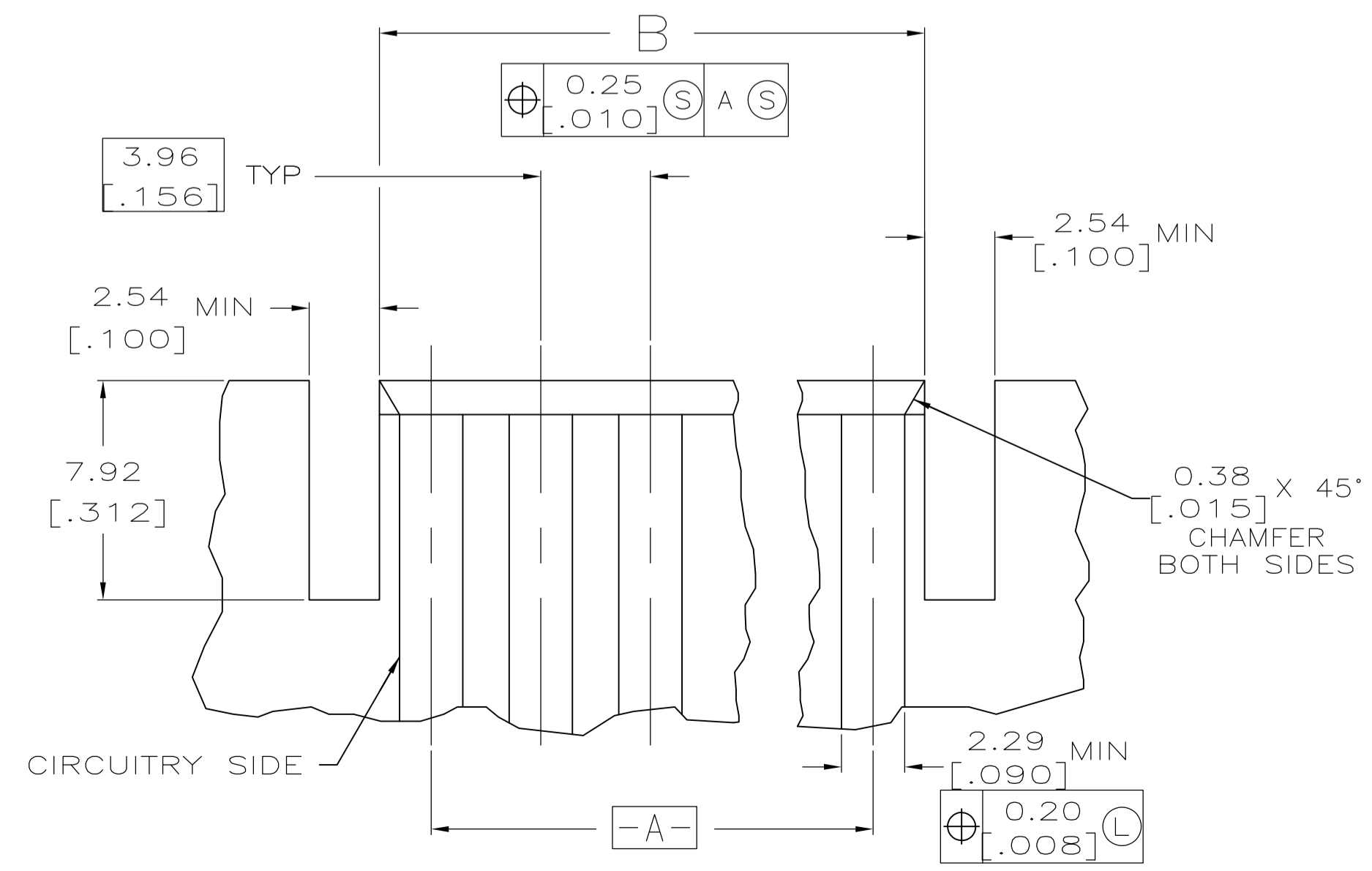
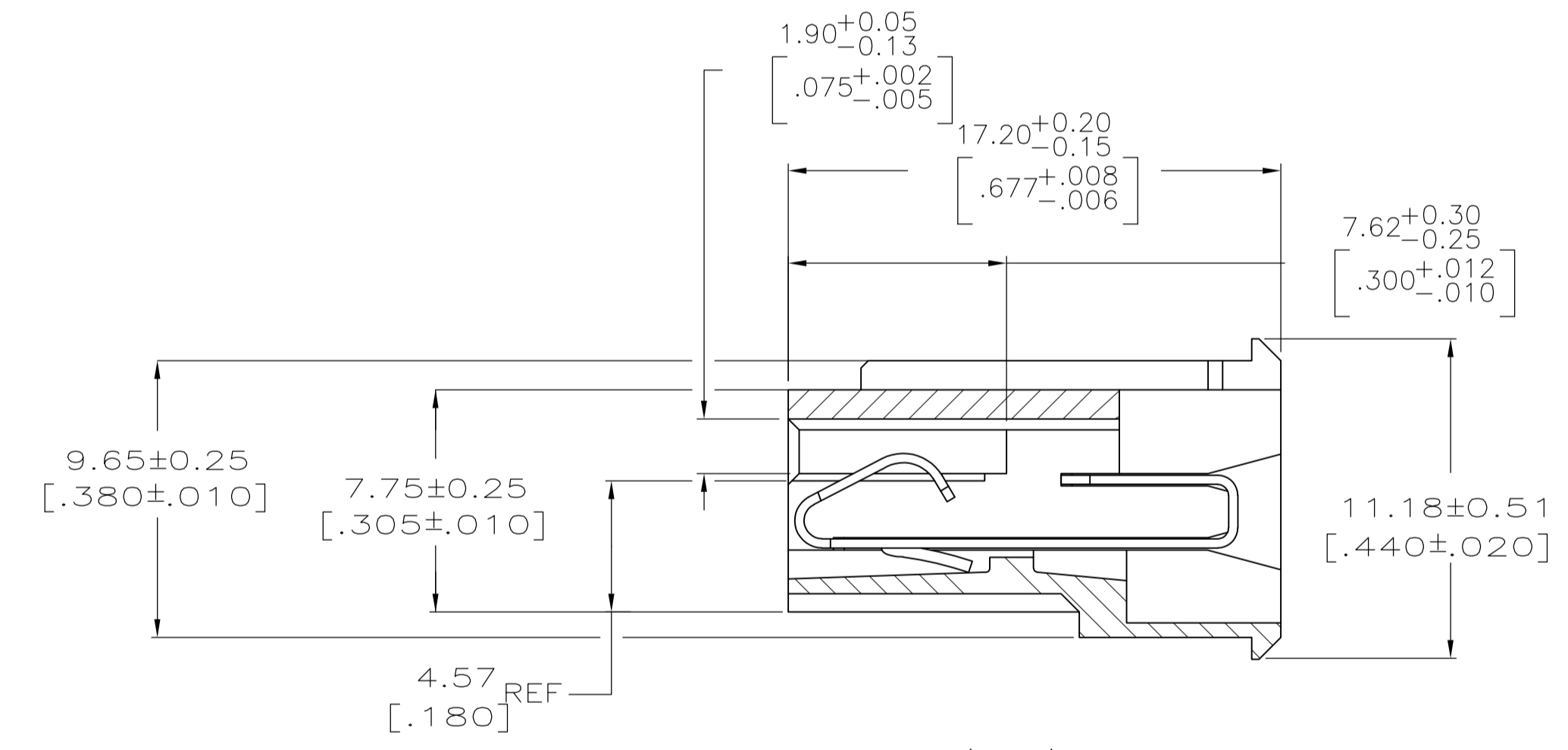
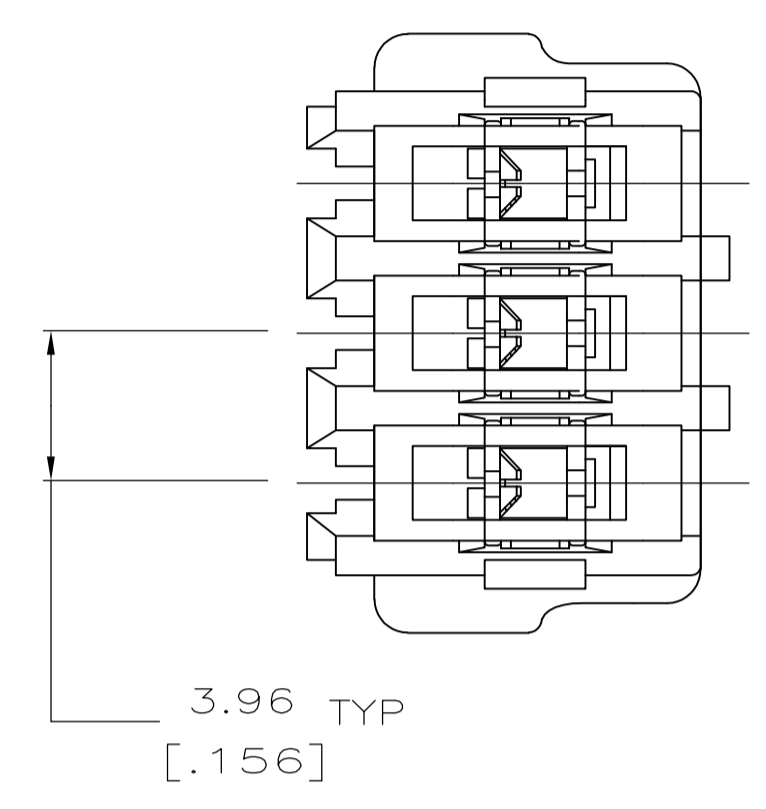
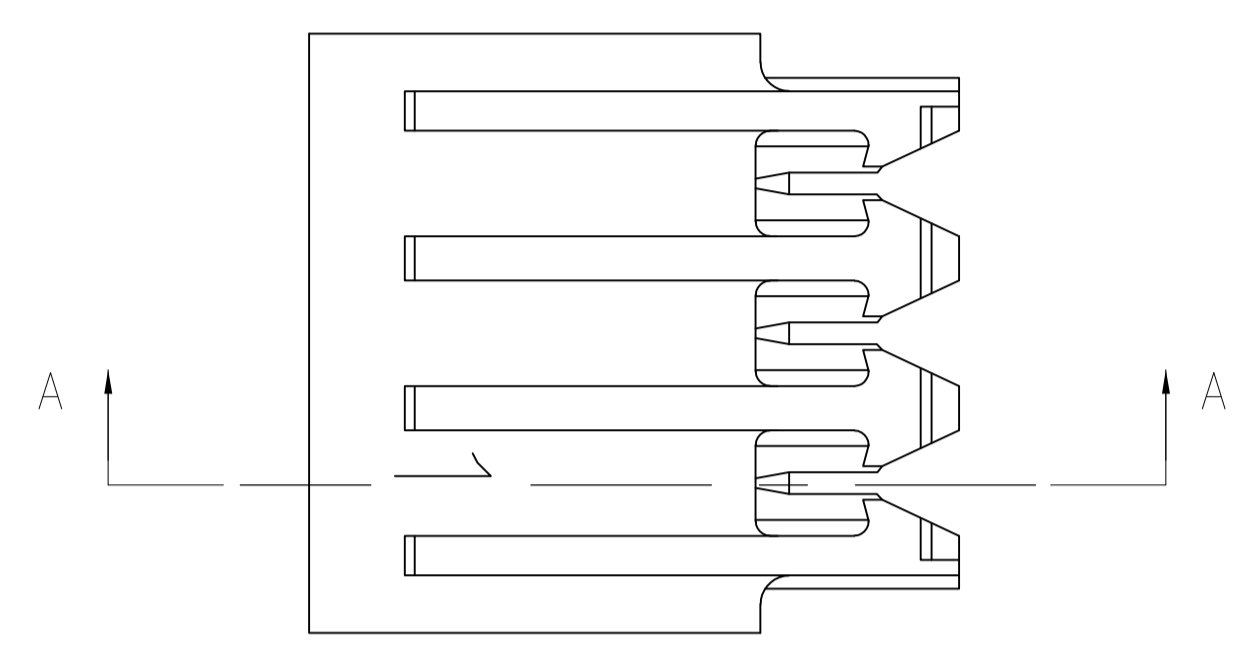
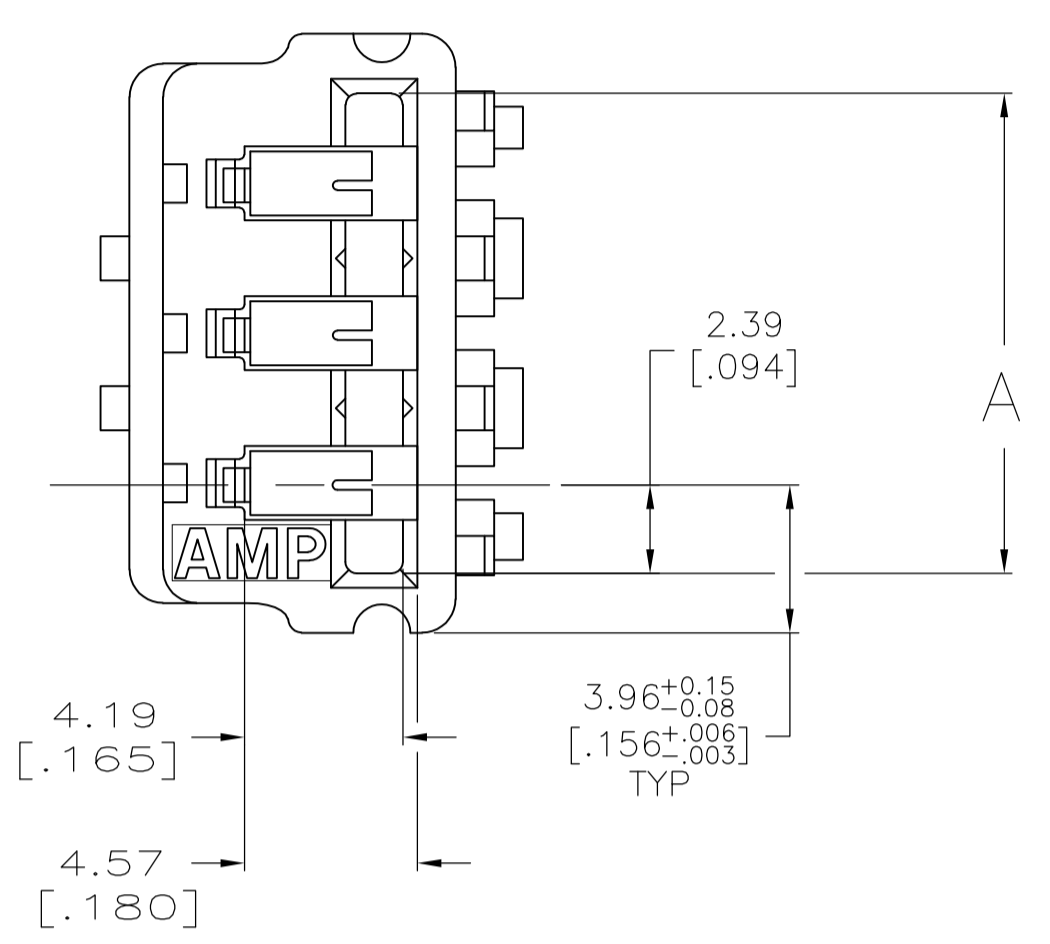
Email & Skype: info@chipsmall.com Web: www.chipsmall.com

Address: A1208, Overseas Decoration Building, #122 Zhenhua RD., Futian, Shenzhen, China

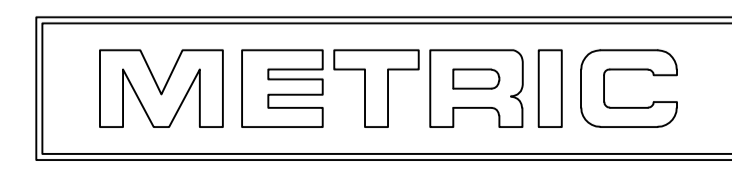


LOC		DIST		REVISIONS			
P	LTR	DESCRIPTION	DATE	DMN	APVD		
L		ECO-07-012898	27JUN07	KW	DB		
L1		REVISED PER ECO-09-021510	12SEP09	KK	AEG		

- MATERIAL:
CONNECTOR: POLYESTER UL94V-0 (RED).
CONTACTS: 0.30[.012] THK COPPER ALLOY.
 - CONTACT ACCEPT #22 AWG WIRE WITH 2.41[.095] MAXIMUM INSULATION DIAMETER.
 - CONNECTOR MATES WITH 1.57±0.20[.062±.008] THICK PC BOARD.
 - HOUSING FEATURES: FEED-THRU, STANDARD MOUTH WITHOUT MOUNTING EARS.
- ⚠ CONTACT FINISH: BRIGHT TIN-LEAD 0.00203[.000080] MIN THK.
- ⚠ CONTACT FINISH: MATTE WHISKER MITIGATED TIN 0.00203[.000080] MIN THICKNESS OVER NICKEL UNDERPLATE.
- ⚠ OBSOLETE PARTS: OBSOLETE CIS STREAMLINING PER D.RENAUD/D.SINISI



CONTACT FINISH	B		A		NO. OF CIRCUITS	PART NUMBER
	mm	[INCHES]	mm	[INCHES]		
⚠	95.50	[3.760]	95.91	[3.776]	24	5-641285-4
	91.54	[3.604]	91.95	[3.620]	23	5-641285-3
	87.58	[3.448]	87.99	[3.464]	22	5-641285-2
	83.62	[3.292]	84.02	[3.308]	21	5-641285-1
	79.65	[3.136]	80.06	[3.152]	20	5-641285-0
	71.73	[2.824]	72.14	[2.840]	18	4-641285-8
	59.84	[2.356]	60.25	[2.372]	15	4-641285-5
	47.96	[1.888]	48.36	[1.904]	12	4-641285-2
	36.07	[1.420]	36.47	[1.436]	9	3-641285-9
	24.18	[.952]	24.59	[.968]	6	3-641285-6
	12.29	[.484]	12.70	[.500]	3	3-641285-3
	⚠ SUPERCEDED	95.50	[3.760]	95.91	[3.776]	24
91.54		[3.604]	91.95	[3.620]	23	2-641285-3
87.58		[3.448]	87.99	[3.464]	22	2-641285-2
83.62		[3.292]	84.02	[3.308]	21	2-641285-1
79.65		[3.136]	80.06	[3.152]	20	2-641285-0
71.73		[2.824]	72.14	[2.840]	18	1-641285-8
59.84		[2.356]	60.25	[2.372]	15	1-641285-5
47.96		[1.888]	48.36	[1.904]	12	1-641285-2
36.07		[1.420]	36.47	[1.436]	9	641285-9
24.18		[.952]	24.59	[.968]	6	641285-6
12.29		[.484]	12.70	[.500]	3	641285-3



THIS DRAWING IS A CONTROLLED DOCUMENT. **Tyco Electronics** Tyco Electronics Corporation, Harrisburg, Pa 17105-3608

DIMENSIONS: mm [INCHES] TOLERANCES UNLESS OTHERWISE SPECIFIED:

0 PLC	±	-
1 PLC	±	-
2 PLC	±	0.13 [0.005]
3 PLC	±	-
4 PLC	±	-
ANGLES	±	-

MATERIAL: SEE NOTE 1 FINISH: SEE NOTE 1 WEIGHT: --

PRODUCT SPEC: MTA-156 CARD EDGE CONNECTOR ASSEMBLY, 22 AWG

SIZE: A1 CAGE CODE: 00779 DRAWING NO: 641285

CUSTOMER DRAWING SCALE: 5:1 SHEET: 1 OF 1 REV: L1