



Chipsmall Limited consists of a professional team with an average of over 10 year of expertise in the distribution of electronic components. Based in Hongkong, we have already established firm and mutual-benefit business relationships with customers from,Europe,America and south Asia,supplying obsolete and hard-to-find components to meet their specific needs.

With the principle of “Quality Parts,Customers Priority,Honest Operation,and Considerate Service”,our business mainly focus on the distribution of electronic components. Line cards we deal with include Microchip,ALPS,ROHM,Xilinx,Pulse,ON,Everlight and Freescale. Main products comprise IC,Modules,Potentiometer,IC Socket,Relay,Connector.Our parts cover such applications as commercial,industrial, and automotives areas.

We are looking forward to setting up business relationship with you and hope to provide you with the best service and solution. Let us make a better world for our industry!



Contact us

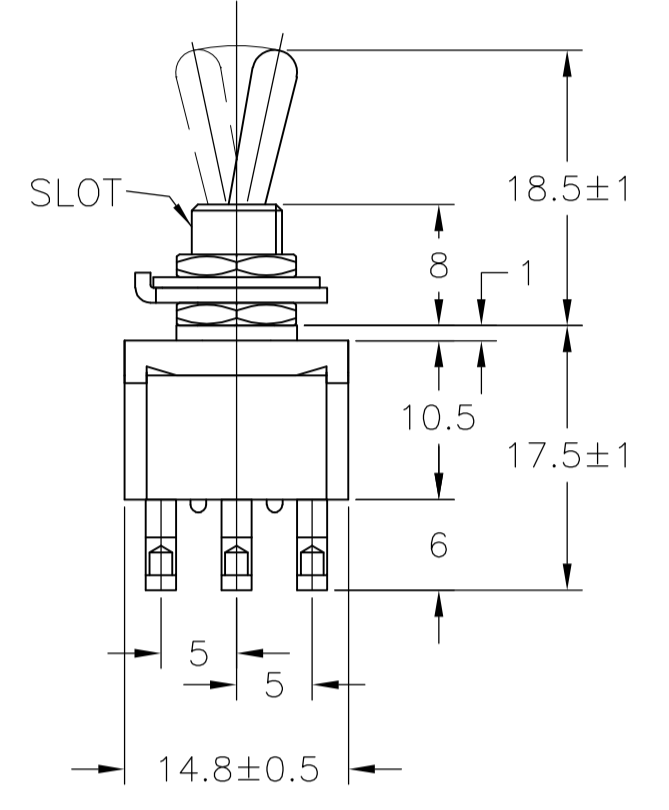
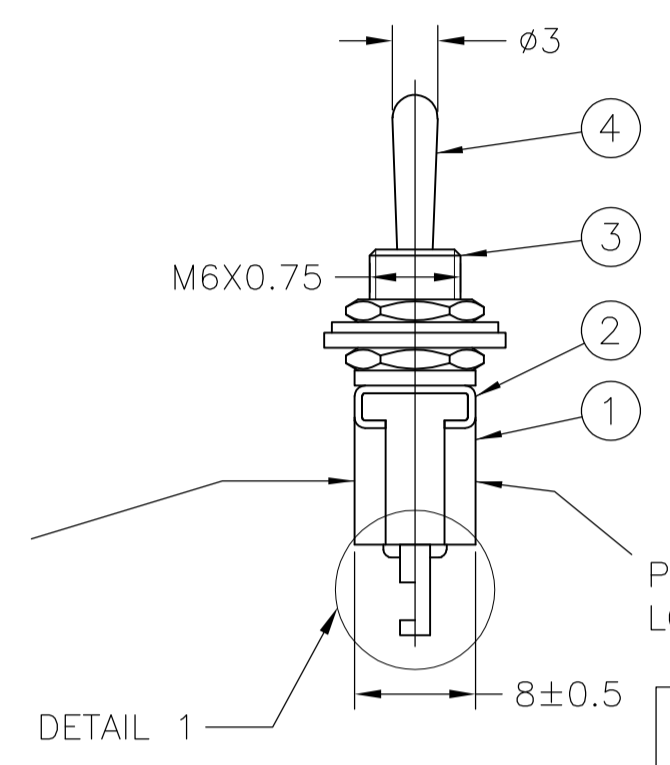
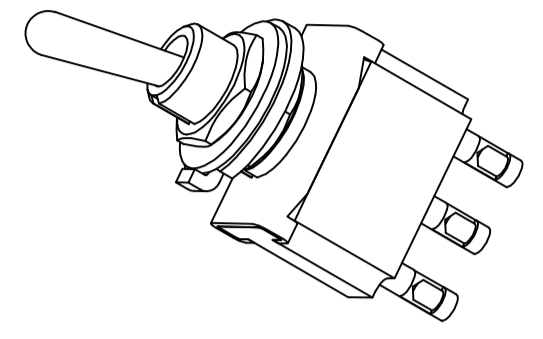
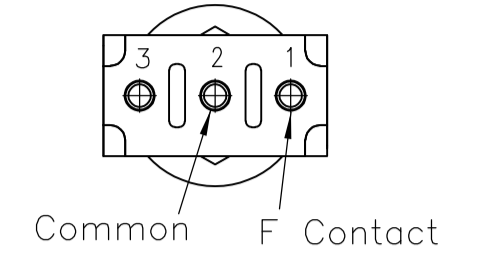
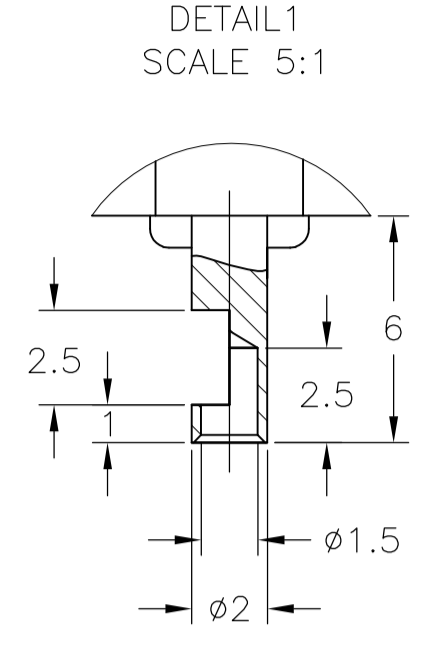
Tel: +86-755-8981 8866 Fax: +86-755-8427 6832

Email & Skype: info@chipsmall.com Web: www.chipsmall.com

Address: A1208, Overseas Decoration Building, #122 Zhenhua RD., Futian, Shenzhen, China



REVISONS		DATE	DWN	APVD
LOC	DIST	DESCRIPTION		
A1	REVISED PER ECO-10-014168	02AUG10	HMR	MW

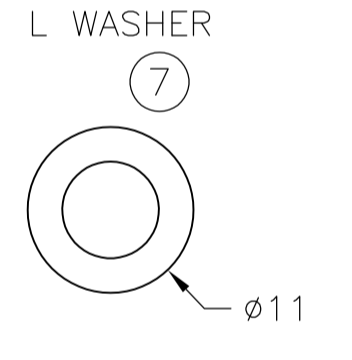
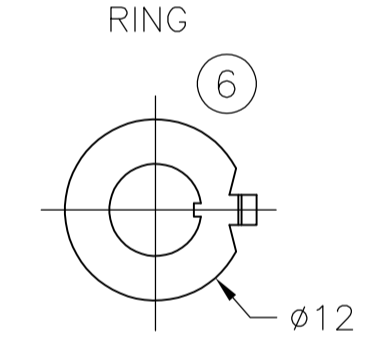
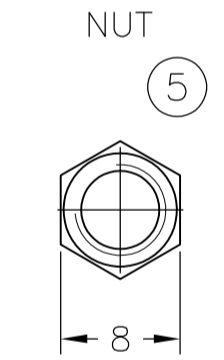
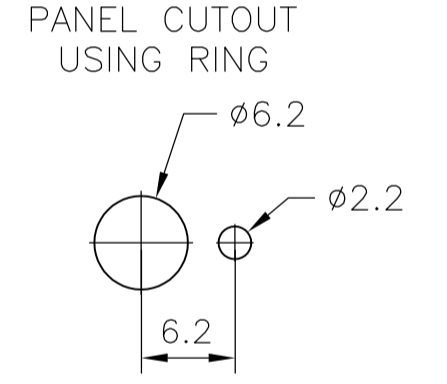
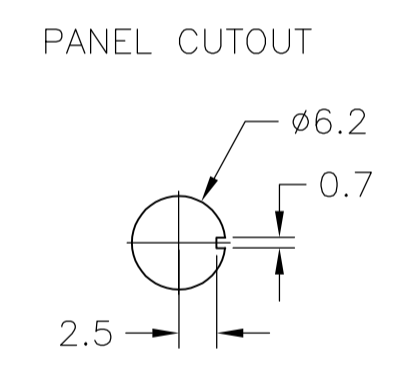


DATE CODE PRINTING LAST DIGIT OF YEAR
 A-L = JANUARY TO DECEMBER DAY

PRINTING OF LOGO AND RATING
 MODEL NO.
 RATING
 SW. FUNCT.

FUNCTION CHART				
TE PN	PART	TERMINALS 1 AND 2	TERMINALS 2 AND 3	TERMINALS 1 AND 3
2-6437630-0	FTD0904	ON	NONE	ON
5-6437630-7	FTF0904	(ON)	NONE	ON
6-6437630-2	FTE0904	ON	OFF	ON
4-6437630-8	FTH0904	(ON)	OFF	ON
5-6437630-5	FTG0904	(ON)	OFF	(ON)
3-6437630-4	FTD09G04	ON	NONE	ON
6-6437630-3	FTF09G04	(ON)	NONE	ON
5-6437630-1	FTE09G04	ON	OFF	ON
6-6437630-4	FTH09G04	(ON)	OFF	ON
3-6437630-8	FTG09G04	(ON)	OFF	(ON)

(ON): MOMENTARY ACTION
 OFF: MECHANICAL POSITION WITHOUT ELECTRICAL CONNECTION
 NONE: NO MECHANICAL POSITION



1.5 THICK 1 THICK 0.63 THICK

- 0.5VA NO SWITCH FUNCTION WILL BE MARKED BUT WILL BE MARKED GOLD CON.
- 2 OPERATING TEMPERATURE -20°C TO +70°C
- 3 ALL MATERIALS AND FINISHES COMPLY WITH RoHS DIRECTIVE

CONTACT MATERIAL	TE PN	PART	RATING	INITIAL CONTACT RESISTANCE	INSULATION RESISTANCE	DIELECTRIC STRENGTH	ENDURANCE
C3602BD Ep-Cu/Ni3,Au1b	3-6437630-4 6-6437630-3 5-6437630-1 3-6437630-8	FTD09G04 FTF09G04 FTE09G04 FTG09G04	20V AC/DC 0.4VA MAX	MAX 10 MILLIOHMS AT DC 2~4V 0.1A	MIN 1000 M Ohms AT DC 500V	AC 1KV/1MIN (AC 1.2KV/1SEC)	ELECTRICALLY 50,000 CYCLES AT 20 CYCLES/MIN (RATED LOAD RESISTIVE) MECHANICALLY 100,000 CYCLES AT 20 CYCLES/MIN
	6-6437630-4	FTH09G04					ELECTRICALLY 25,000 CYCLES AT 20 CYCLES/MIN (RATED LOAD RESISTIVE) MECHANICALLY 50,000 CYCLES AT 20 CYCLES/MIN
99.8% Silver + C3602BD Ep-Cu/Ni3,AuFb	5-6437630-7	FTF0904	AC 125V 6A AC 250V 6A	MAX 10 MILLIOHMS AT DC 2~4V 1A	MIN 1000 M Ohms AT DC 500V	AC 1KV/1MIN (AC 1.2KV/1SEC)	ELECTRICALLY 50,000 CYCLES AT 20 CYCLES/MIN (RATED LOAD RESISTIVE) MECHANICALLY 100,000 CYCLES AT 20CYCLES/MIN
	2-6437630-0 6-6437630-2 4-6437630-8 5-6437630-5	FTD0904 FTE0904 FTH0904 FTG0904					

MATERIALS CHART			
OPTIONAL DESCRIPTION	MATERIAL/SURFACE	PART NAME	PART NO
	Ep-Fe/Cu2,Ni4b	SK-5	L WASHER
	Ep-Fe/Cu2,Ni3b	SPCC	RING
	Ep-Cu/Ni3b	C3602BD	NUT
	Ep-Cu/Ni3,Cr1b	C3602BD	ACTUATOR
	Ep-Cu/Ni3b	C3602BD	BUSHING
	SUS	FRAME	2
	POLYESTER RESIN	CASE	1

DIMENSIONS:		TOLERANCES UNLESS OTHERWISE SPECIFIED:		APPROVALS:		DRAWING NO.		RESTRICTED TO	
mm	0 PLC	±	-	DIN	RAGHAVENDRA	02AUG10	00779	1968510	
	1 PLC	±	-	CHK	MICHAEL WILBOURN	02AUG10	A1		
	2 PLC	±	-	APVD	MICHAEL WILBOURN	02AUG10			
	3 PLC	±	-	NAME					
	4 PLC	±	-	PRODUCT SPEC					
	ANGLES	±	±	APPLICATION SPEC					
MATERIAL	FINISH	WEIGHT		SIZE	CAGE CODE	DRAWING NO.			
				A1		00779	1968510		
CUSTOMER DRAWING				SCALE	1:1	SHEET	1 of 1	REV	A1