



Chipsmall Limited consists of a professional team with an average of over 10 year of expertise in the distribution of electronic components. Based in Hongkong, we have already established firm and mutual-benefit business relationships with customers from,Europe,America and south Asia,supplying obsolete and hard-to-find components to meet their specific needs.

With the principle of “Quality Parts,Customers Priority,Honest Operation,and Considerate Service”,our business mainly focus on the distribution of electronic components. Line cards we deal with include Microchip,ALPS,ROHM,Xilinx,Pulse,ON,Everlight and Freescale. Main products comprise IC,Modules,Potentiometer,IC Socket,Relay,Connector.Our parts cover such applications as commercial,industrial, and automotives areas.

We are looking forward to setting up business relationship with you and hope to provide you with the best service and solution. Let us make a better world for our industry!



## Contact us

Tel: +86-755-8981 8866 Fax: +86-755-8427 6832

Email & Skype: info@chipsmall.com Web: www.chipsmall.com

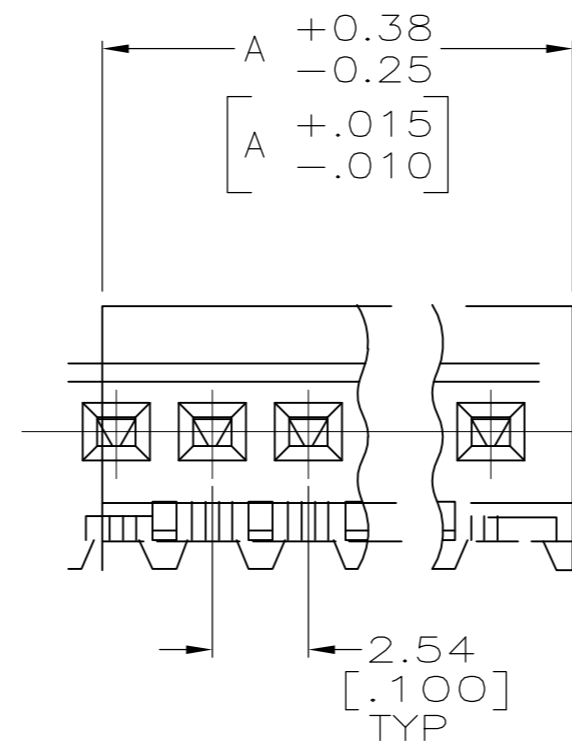
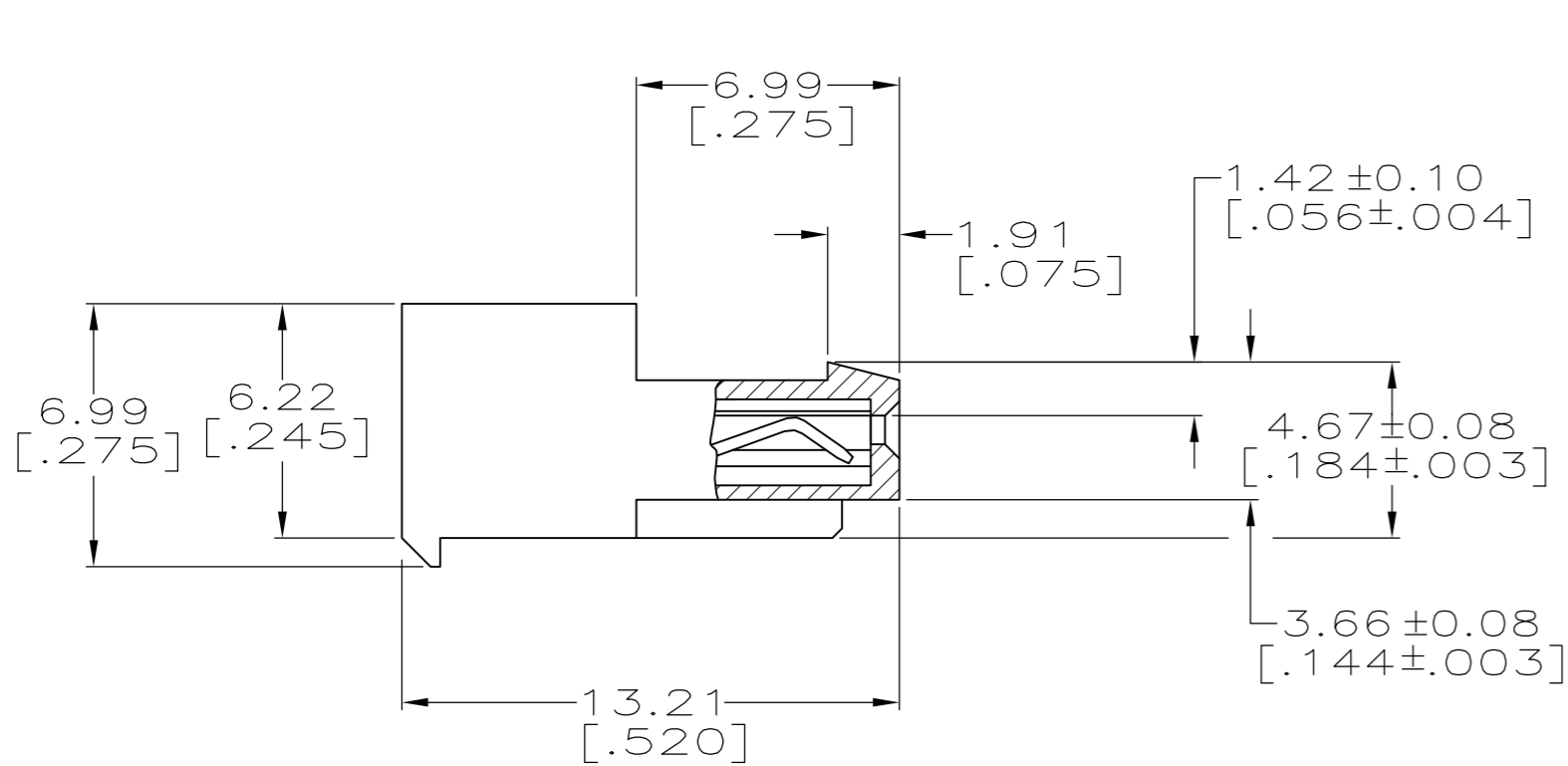
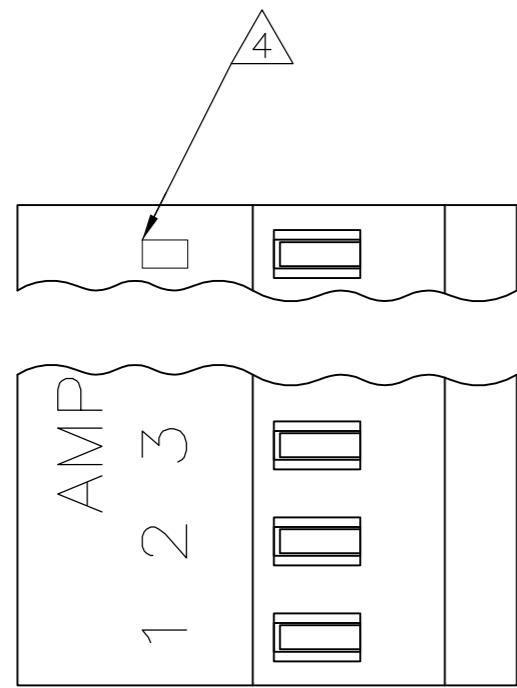
Address: A1208, Overseas Decoration Building, #122 Zhenhua RD., Futian, Shenzhen, China



THIS DRAWING IS UNPUBLISHED. RELEASED FOR PUBLICATION  
 © COPYRIGHT - By - ALL RIGHTS RESERVED.

LOC		DIST		REVISIONS			
P	LTR	DESCRIPTION		DATE	DWN	APVD	
CM	00	B2	REVISED PER ECO-11-005027		11MAR11	RK	HMR

OBSOLETE PARTS: OBSOLETE CIS STREAMLINING PER D.RENAUD/D.SINISI



- SUPSD BY 4-6445774-5
- SUPSD BY 4-6445774-4
- SUPSD BY 4-6445774-3
- SUPSD BY 4-6445774-2
- SUPSD BY 4-6445774-1
- SUPSD BY 4-6445774-0
- SUPSD BY 3-6445774-9
- SUPSD BY 3-6445774-8
- SUPSD BY 3-6445774-7
- SUPSD BY 3-6445774-6
- SUPSD BY 3-6445774-5

LEAD	LEAD		NO. OF POSN	ASSEMBLY
	DIM A			
FREE	38.10	[1.500]	15	4-644574-5
	35.56	[1.400]	14	4-644574-4
	33.02	[1.300]	13	4-644574-3
	30.48	[1.200]	12	4-644574-2
	27.94	[1.100]	11	4-644574-1
	25.40	[1.000]	10	4-644574-0
	22.86	[.900]	9	3-644574-9
	20.32	[.800]	8	3-644574-8
	17.78	[.700]	7	3-644574-7
	15.24	[.600]	6	3-644574-6
	12.70	[.500]	5	3-644574-5
	10.16	[.400]	4	3-644574-4
	7.62	[.300]	3	3-644574-3
	5.08	[.200]	2	3-644574-2
LEAD	38.10	[1.500]	15	1-644574-5
	35.56	[1.400]	14	1-644574-4
	33.02	[1.300]	13	1-644574-3
	30.48	[1.200]	12	1-644574-2
	27.94	[1.100]	11	1-644574-1
	25.40	[1.000]	10	1-644574-0
	22.86	[.900]	9	—644574-9—
	20.32	[.800]	8	—644574-8—
	17.78	[.700]	7	—644574-7—
	15.24	[.600]	6	—644574-6—
	12.70	[.500]	5	—644574-5—
	10.16	[.400]	4	644574-4
	7.62	[.300]	3	644574-3
	5.08	[.200]	2	644574-2
CONTAINS	DIM A		NO. OF POSN	ASSEMBLY

MATERIAL: CONNECTOR-NYLON UL94V-0 (BLACK).  
 CONTACTS-0.30 [.012] THICK COPPER ALLOY  
 BRIGHT TIN-LEAD 0.00203 [.000080] MIN THICK FOR CONTACTS  
 644574-2 THRU 1-644574-5  
 MATTE WHISKER MITIGATED TIN PLATE 0.00203 [.000080] MIN THICK  
 OVER 0.00076 [.000030] MIN THICK NICKEL FOR CONTACTS  
 3-644574-2 THRU 4-644574-5

2. CONTACTS ACCEPT 24 AWG WIRE WITH 1.52 [.060] MAX INSULATION DIAMETER.
3. CONTACTS MUST ACCEPT 0.64±0.03 [.025±.001] SQUARE POST AND REMAIN LOCKED IN POSITION.
- IDENTIFICATION NUMBER FOR LAST CIRCUIT MAY NOT APPEAR ON ALL ASSEMBLIES.
5. DIMENSIONS IN BRACKETS ARE IN INCHES.
6. HOUSING FEATURES ARE: CLOSED END WITH LOCKING RAMP.



THIS DRAWING IS A CONTROLLED DOCUMENT.		DWN S. HOOVER 03-DEC-2004	TE Connectivity	
DIMENSIONS: mm [INCHES]		CHK D. BOSSI 03-DEC-2004		
TOLERANCES UNLESS OTHERWISE SPECIFIED:		APVD D. BOSSI 03-DEC-2004	NAME MTA .100 CONNECTOR ASSEMBLY 24 AWG, UL94V-0, SPECIAL	
0 PLC ± 1 PLC ± 2 PLC ± 0.13 [.005] 3 PLC ± 4 PLC ±		PRODUCT SPEC 108-1050	SIZE A2	
MATERIAL 		APPLICATION SPEC 114-1019	CAGE CODE 00779	DRAWING NO C-644574
FINISH 		WEIGHT	RESTRICTED TO	SCALE 5:1
		CUSTOMER DRAWING	SHEET 1 OF 1	REV B2