



Chipsmall Limited consists of a professional team with an average of over 10 year of expertise in the distribution of electronic components. Based in Hongkong, we have already established firm and mutual-benefit business relationships with customers from,Europe,America and south Asia,supplying obsolete and hard-to-find components to meet their specific needs.

With the principle of "Quality Parts,Customers Priority,Honest Operation,and Considerate Service",our business mainly focus on the distribution of electronic components. Line cards we deal with include Microchip,ALPS,ROHM,Xilinx,Pulse,ON,Everlight and Freescale. Main products comprise IC,Modules,Potentiometer,IC Socket,Relay,Connector.Our parts cover such applications as commercial,industrial, and automotives areas.

We are looking forward to setting up business relationship with you and hope to provide you with the best service and solution. Let us make a better world for our industry!



Contact us

Tel: +86-755-8981 8866 Fax: +86-755-8427 6832

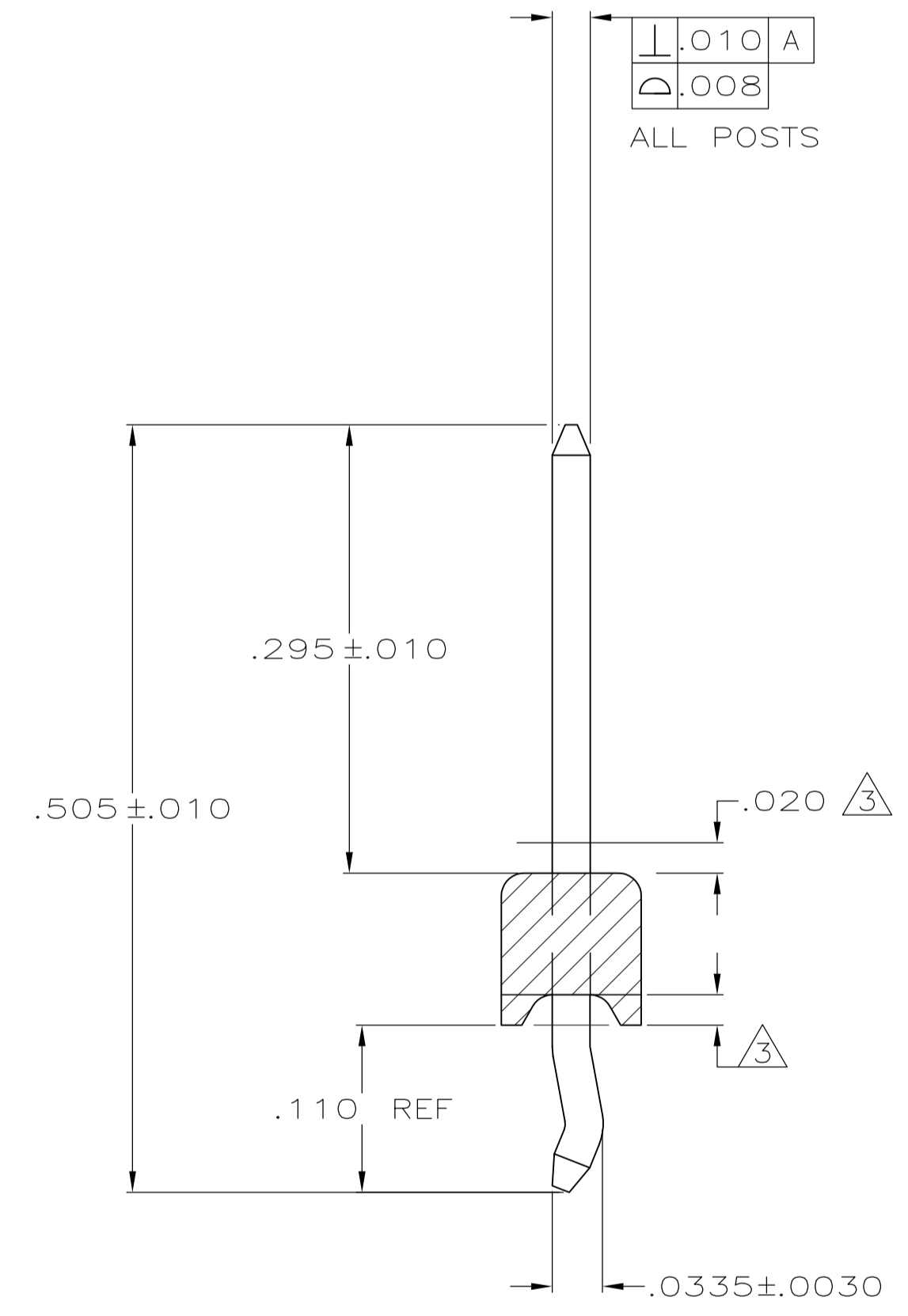
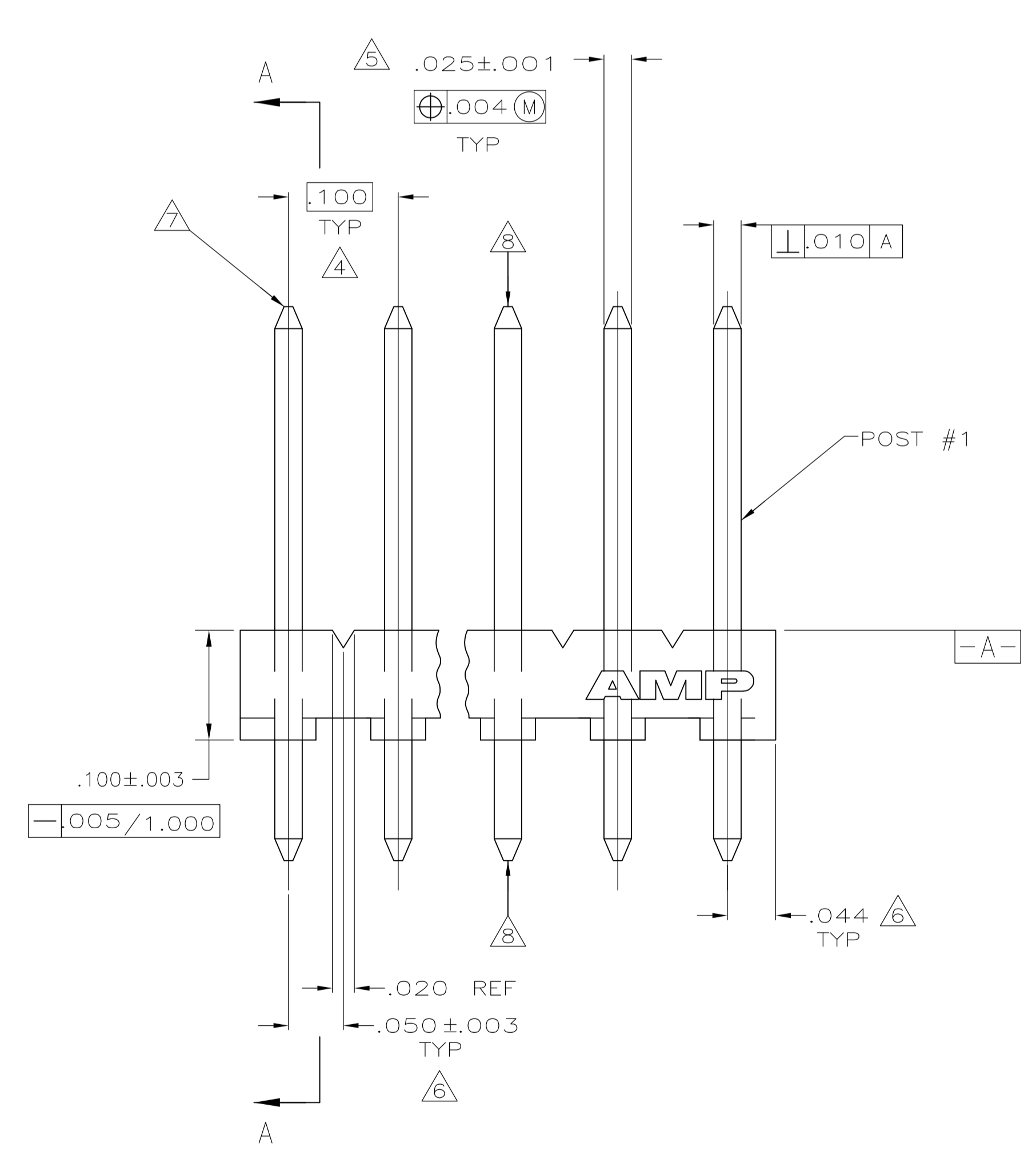
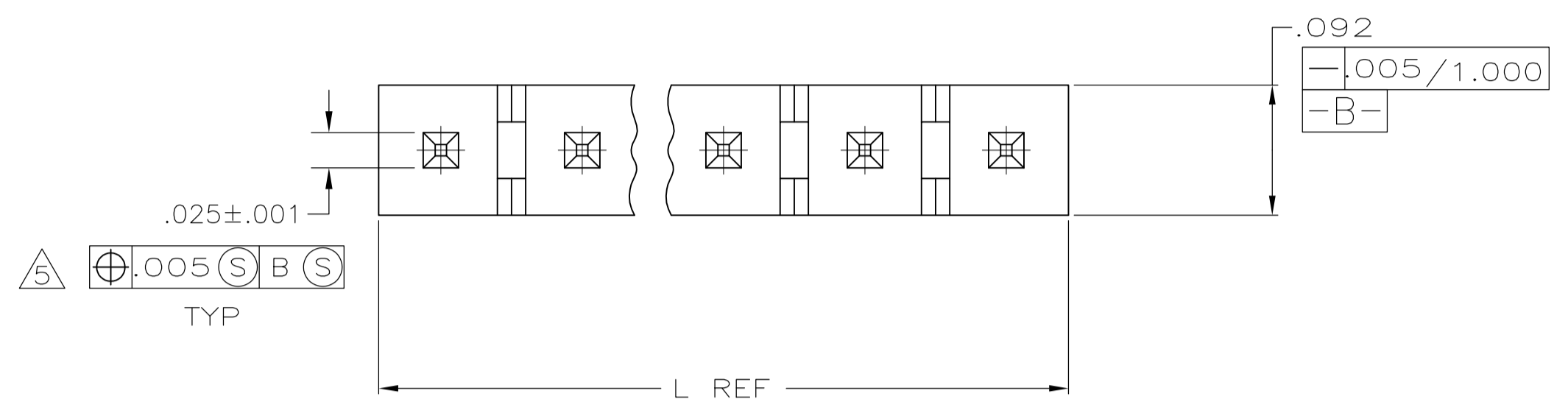
Email & Skype: info@chipsmall.com Web: www.chipsmall.com

Address: A1208, Overseas Decoration Building, #122 Zhenhua RD., Futian, Shenzhen, China

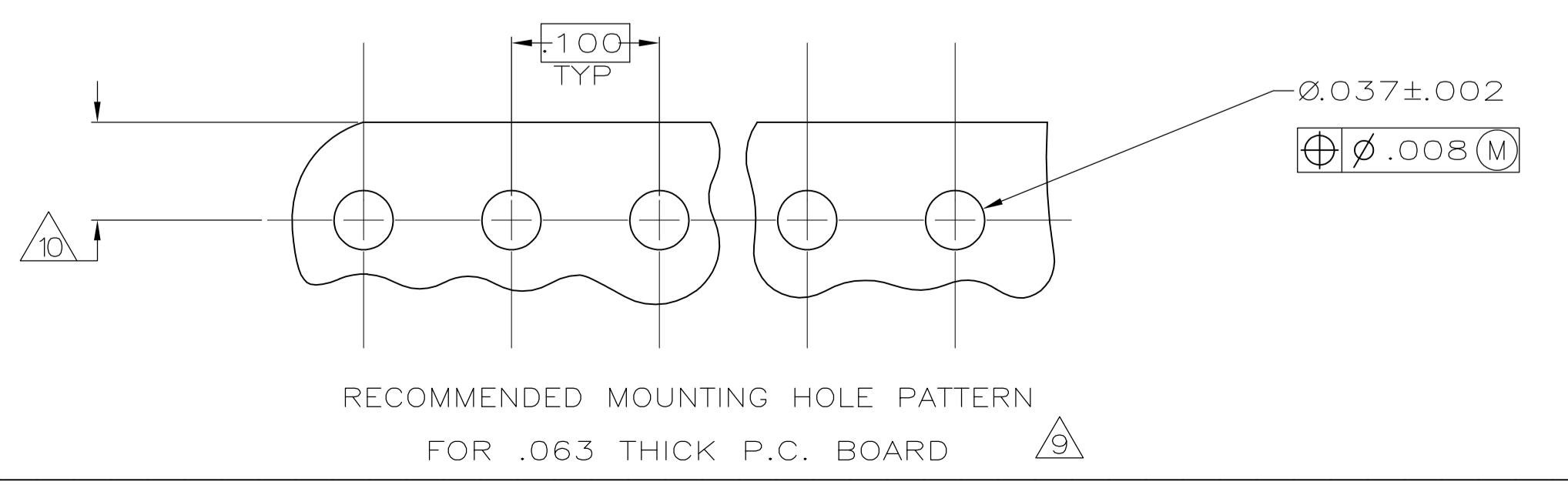


REVISED PER		DATE	BY	APP'D
E2	REVIS	11MAR11	RK	HMR

- MATERIAL:**
 BASE: THERMOPLASTIC POLYESTER, UL 94V-0 (NATURAL).
 POST: COPPER ALLOY (TIN OR TIN-LEAD PLATED, .000150 MIN THK).
2. PARTS MUST COMPLY WITH AMP SOLDERABILITY SPEC 109-11-2.
 3. PLASTIC AROUND POST PERMISSIBLE IN THIS AREA ONLY.
 4. DIMENSION APPLIES WHEN HEADER IS HELD FLAT.
 5. MEASURED AT $\square A \square$
 6. COORDINATE DIMENSION APPLIES FROM CENTER OF ACTUAL FEATURE.
 7. RADIUS AT TIP PERMITTED, BOTH ENDS.
 8. POST MUST WITHSTAND 3.0 LB (13 NEWTONS) MIN AXIAL FORCE IN BOTH DIRECTIONS WITHOUT DISLODGING.
 9. TOLERANCES APPLY TO SOLDER SIDE OF BOARD.
 10. DIMENSION SHOULD BE .060 MIN WHEN MATING WITH A MTA-100 CONNECTOR ASSEMBLY OR A CST-100 CONNECTOR.
11. AMP LOGO MAY OR MAY NOT APPEAR ON MOLDING HOUSING.



SECTION A-A
 RETENTIVE FEATURE IS FOR POSTS DESIGNATED IN TABLE ONLY



NO. OF POSTS	IN	MM	NO. OF CIRCUITS	PART NUMBER
28	70.82	70.82	28	5-644695-8
27	68.28	68.28	27	5-644695-7
26	65.74	65.74	26	5-644695-6
25	63.20	63.20	25	5-644695-5
24	60.66	60.66	24	5-644695-4
23	58.12	58.12	23	5-644695-3
22	55.58	55.58	22	5-644695-2
21	53.04	53.04	21	5-644695-1
20	50.50	50.50	20	5-644695-0
19	47.96	47.96	19	4-644695-9
18	45.42	45.42	18	4-644695-8
17	42.88	42.88	17	4-644695-7
16	40.34	40.34	16	4-644695-6
15	37.80	37.80	15	4-644695-5
14	35.26	35.26	14	4-644695-4
13	32.72	32.72	13	4-644695-3
12	30.18	30.18	12	4-644695-2
11	27.64	27.64	11	4-644695-1
10	25.10	25.10	10	4-644695-0
9	22.56	22.56	9	3-644695-9
8	20.02	20.02	8	3-644695-8
7	17.48	17.48	7	3-644695-7
6	14.94	14.94	6	3-644695-6
5	12.40	12.40	5	3-644695-5
4	9.86	9.86	4	3-644695-4
3	7.32	7.32	3	3-644695-3
2	4.78	4.78	2	3-644695-2

SUPERSEDED BY 5-644695-8	1,14,28	28	2.788	70.82	28	2-644695-8
SUPERSEDED BY 5-644695-7	1,14,27	27	2.688	68.28	27	2-644695-7
SUPERSEDED BY 5-644695-6	1,13,26	26	2.588	65.74	26	2-644695-6
SUPERSEDED BY 5-644695-5	1,13,25	25	2.488	63.20	25	2-644695-5
SUPERSEDED BY 5-644695-4	1,12,24	24	2.388	60.66	24	2-644695-4
SUPERSEDED BY 5-644695-3	1,12,23	23	2.288	58.12	23	2-644695-3
SUPERSEDED BY 5-644695-2	1,11,22	22	2.188	55.58	22	2-644695-2
SUPERSEDED BY 5-644695-1	1,11,21	21	2.088	53.04	21	2-644695-1
SUPERSEDED BY 5-644695-0	1,10,20	20	1.988	50.50	20	2-644695-0
SUPERSEDED BY 4-644695-9	1,10,19	19	1.888	47.96	19	1-644695-9
SUPERSEDED BY 4-644695-8	1,9,18	18	1.788	45.42	18	1-644695-8
SUPERSEDED BY 4-644695-7	1,9,17	17	1.688	42.88	17	1-644695-7
SUPERSEDED BY 4-644695-6	1,8,16	16	1.588	40.34	16	1-644695-6
SUPERSEDED BY 4-644695-5	1,8,15	15	1.488	37.80	15	1-644695-5
SUPERSEDED BY 4-644695-4	1,7,14	14	1.388	35.26	14	1-644695-4
SUPERSEDED BY 4-644695-3	1,7,13	13	1.288	32.72	13	1-644695-3
SUPERSEDED BY 4-644695-2	1,6,12	12	1.188	30.18	12	1-644695-2
SUPERSEDED BY 4-644695-1	1,6,11	11	1.088	27.64	11	1-644695-1
SUPERSEDED BY 4-644695-0	1,10	10	.988	25.10	10	1-644695-0
SUPERSEDED BY 3-644695-9	1,9	9	.888	22.56	9	644695-9
SUPERSEDED BY 3-644695-8	1,8	8	.788	20.02	8	644695-8
SUPERSEDED BY 3-644695-7	1,7	7	.688	17.48	7	644695-7
SUPERSEDED BY 3-644695-6	1,6	6	.588	14.94	6	644695-6
SUPERSEDED BY 3-644695-5	1,5	5	.488	12.40	5	644695-5
SUPERSEDED BY 3-644695-4	1,4	4	.388	9.86	4	644695-4
SUPERSEDED BY 3-644695-3	1,3	3	.288	7.32	3	644695-3
SUPERSEDED BY 3-644695-2	1,2	2	.188	4.78	2	644695-2

LEADFREE	RETENTIVE POSITIONS	NO. OF POSTS	IN	MM	NO. OF CIRCUITS	PART NUMBER
YES						
NO						

THIS DRAWING IS A CONTROLLED DOCUMENT.		DIN S. CARPENTER 27MAY2003		TE Connectivity	
DIMENSIONS: INCHES		TOLERANCES UNLESS OTHERWISE SPECIFIED:			
0 PLC ± - 1 PLC ± - 2 PLC ± - 3 PLC ± .005 4 PLC ± - ANGLES ± -		0 PLC ± - 1 PLC ± - 2 PLC ± - 3 PLC ± .005 4 PLC ± - ANGLES ± -		NAME: MTA-100 HEADER ASSEMBLY, NARROW .025 SQUARE STRAIGHT POST WITH RETENTIVE LEGS, TIN PLATED	
MATERIAL: 1		FINISH: 1		APPLICATION SPEC: A1 SIZE: 100779 WEIGHT: C=644695	
CUSTOMER DRAWING		SCALE: 10:1		SHEET 1 OF 1 REV E2	