



Chipsmall Limited consists of a professional team with an average of over 10 year of expertise in the distribution of electronic components. Based in Hongkong, we have already established firm and mutual-benefit business relationships with customers from,Europe,America and south Asia,supplying obsolete and hard-to-find components to meet their specific needs.

With the principle of “Quality Parts,Customers Priority,Honest Operation,and Considerate Service”,our business mainly focus on the distribution of electronic components. Line cards we deal with include Microchip,ALPS,ROHM,Xilinx,Pulse,ON,Everlight and Freescale. Main products comprise IC,Modules,Potentiometer,IC Socket,Relay,Connector.Our parts cover such applications as commercial,industrial, and automotives areas.

We are looking forward to setting up business relationship with you and hope to provide you with the best service and solution. Let us make a better world for our industry!



Contact us

Tel: +86-755-8981 8866 Fax: +86-755-8427 6832

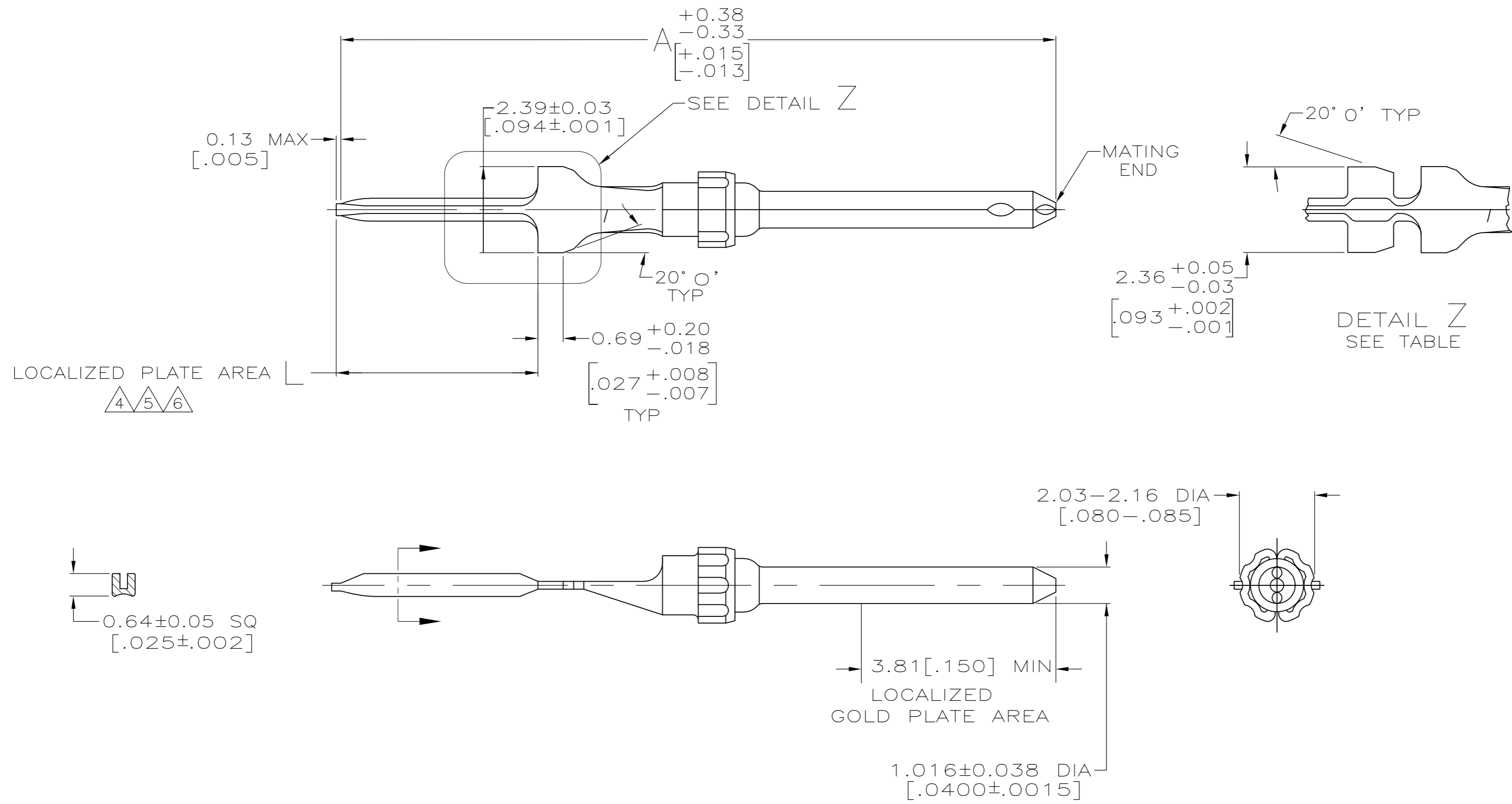
Email & Skype: info@chipsmall.com Web: www.chipsmall.com

Address: A1208, Overseas Decoration Building, #122 Zhenhua RD., Futian, Shenzhen, China



THIS DRAWING IS UNPUBLISHED. RELEASED FOR PUBLICATION
 © COPYRIGHT - By - ALL RIGHTS RESERVED.

LOC		DIST		REVISIONS					
GP		00		P	LTR	DESCRIPTION	DATE	DWN	APVD
				L1		REVISED PER ECO-11-004835	11MAR11	RK	HMR



- FOR MATING CONTACT SEE DRAWING 745288.
- TO BE USED FOR REPLACEMENT ONLY.
- GOLD PLATED FOR LENGTH OF 3.81 [.150] MIN FROM MATING END, GOLD FLASH IN MATED AREA. 2.54µm [.000100] MIN TIN-LEAD ON AREA L, ALL OVER 1.27µm [.000050] MIN NICKEL.
- GOLD PLATED FOR LENGTH OF 3.81 [.150] MIN FROM MATING END, 0.76µm [.000030] MIN GOLD IN MATED AREA. 2.54µm [.000100] MIN TIN-LEAD ON AREA L, ALL OVER 1.27µm [.000050] MIN NICKEL.
- GOLD PLATED FOR LENGTH OF 3.81 [.150] MIN FROM MATING END, GOLD FLASH IN MATED AREA AND AREA L, ALL OVER 1.27µm [.000050] MIN NICKEL. GOLD PLATING ON EDGE CARRIER NOT REQUIRED.
- GOLD PLATED IN LOCALIZED GOLD PLATE AREA AS FOLLOWS:
 0.76µm [.000030] MIN GOLD IN MATED AREA 2.54µm [.000100] MIN TIN ON AREA L, ALL OVER 1.27µm [.000050] MIN NICKEL UNDERPLATE.
 OR
 GOLD FLASH OVER PALLADIUM-NICKEL PLATE, 0.76µm [.000030] MIN TOTAL IN MATED AREA, 2.54µm [.000100] MIN TIN ON AREA L, ALL OVER 1.27µm [.000050] MIN NICKEL UNDERPLATE.

	AS SHOWN	21.67 [.853]	6	5-745287-4
	PER DETAIL Z	33.07 [1.302]	6	5-745287-0
	PER DETAIL Z	27.43 [1.080]	6	4-745287-7
OBSOLETE	AS SHOWN	19.81 [.780]	5	4-745287-2
OBSOLETE	AS SHOWN	21.67 [.853]	4	2-745287-0
SUPERSEDED BY 2-745287-0				
	AS SHOWN	21.67 [.853]	3	1-745287-8
OBSOLETE	PER DETAIL Z	33.07 [1.302]	4	1-745287-2
OBSOLETE	PER DETAIL Z	33.07 [1.302]	3	1-745287-0
OBSOLETE	PER DETAIL Z	27.43 [1.080]	4	745287-8
OBSOLETE	PER DETAIL Z	27.43 [1.080]	3	745287-6
OBSOLETE	AS SHOWN	19.81 [.780]	4	745287-4
OBSOLETE	AS SHOWN	19.81 [.780]	3	745287-2

THIS DRAWING IS A CONTROLLED DOCUMENT.		DWN	01/29/91	R. SHIREY	
DIMENSIONS: INCHES		CHK	2-6-91	J. McCLINTON	
TOLERANCES UNLESS OTHERWISE SPECIFIED:		APVD	-	NAME	
0 PLC ± -		PRODUCT SPEC	-	PIN CONTACT, SIZE 20 DF, AMPLIMITE™	
1 PLC ± -		APPLICATION SPEC	-	SIZE	CAGE CODE
2 PLC ± .13 [.005]		FINISH	SEE TABLE	A2	00779
3 PLC ± -		MATERIAL	BRASS PER MIL-C-50	DRAWING NO	C=745287
4 PLC ± -		WEIGHT	-	RESTRICTED TO	-
ANGLES ± 0°30'		CUSTOMER DRAWING	SCALE 10:1	SHEET 1 OF 1	REV L1