



Chipsmall Limited consists of a professional team with an average of over 10 year of expertise in the distribution of electronic components. Based in Hongkong, we have already established firm and mutual-benefit business relationships with customers from,Europe,America and south Asia,supplying obsolete and hard-to-find components to meet their specific needs.

With the principle of “Quality Parts,Customers Priority,Honest Operation,and Considerate Service”,our business mainly focus on the distribution of electronic components. Line cards we deal with include Microchip,ALPS,ROHM,Xilinx,Pulse,ON,Everlight and Freescale. Main products comprise IC,Modules,Potentiometer,IC Socket,Relay,Connector.Our parts cover such applications as commercial,industrial, and automotives areas.

We are looking forward to setting up business relationship with you and hope to provide you with the best service and solution. Let us make a better world for our industry!



## Contact us

Tel: +86-755-8981 8866 Fax: +86-755-8427 6832

Email & Skype: info@chipsmall.com Web: www.chipsmall.com

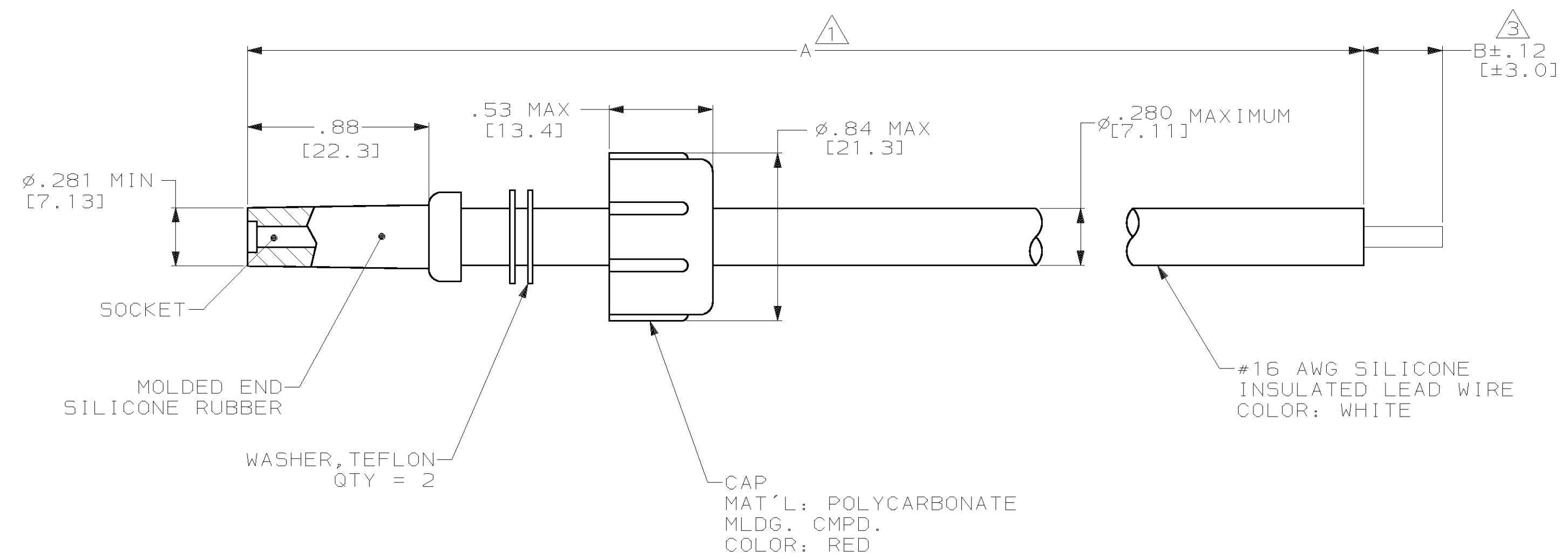
Address: A1208, Overseas Decoration Building, #122 Zhenhua RD., Futian, Shenzhen, China



LOC		DIST		P		F		ZONE		LTR		REVISIONS			
DF	SO											DESCRIPTION	DATE	APPD	
												AA	REV PER 063D-0468-02 JMK	12-02	DE

PART NO.	A	B	
837655-1	11.00 [279.4]	-	
837655-2	24.00 [609.6]	-	
837655-3	6.50 [165.1]	.50 [12.7]	OBSOLETE
837655-4	9.00 [228.6]	-	
837655-5	36.00 [914.4]	.38 [9.7]	
837655-6	30.00 [762.0]	-	
837655-7	6.00 [152.4]	.38 [9.7]	
837655-8	24.00 [609.6]	.38 [9.7]	
837655-9	20.00 [508.0]	.38 [9.7]	
1-837655-0	18.00 [457.2]	.50 [12.7]	
1-837655-1	12.00 [304.8]	.38 [9.7]	
1-837655-2	3.50 [88.9]	.38 [9.7]	
1-837655-3	48.00 [1219.2]	.38 [9.7]	
1-837655-4	120.00 [3048.0]	.38 [9.7]	
1-837655-5	620.00 [15748.0]	.38 [9.7]	
1-837655-6	96.00 [2438.4]	.38 [9.7]	OBSOLETE
1-837655-7	35.00 [889.0]	.50 [12.7]	
1-837655-8	26.00 [660.4]	.38 [9.7]	
1-837655-9	16.00 [406.4]	.38 [9.7]	OBSOLETE
2-837655-0	25.00 [635.0]	.38 [9.7]	OBSOLETE
2-837655-1	28.00 [711.2]	.38 [9.7]	
2-837655-2	12.00 [304.8]	.50 [12.7]	
2-837655-3	27.00 [685.8]	.38 [9.7]	OBSOLETE
2-837655-4	8.61 [218.7]	.25 [6.3]	
2-837655-5	240.00 [6096.0]	.38 [9.7]	OBSOLETE
2-837655-6	72.00 [1828.8]	.38 [9.7]	OBSOLETE
2-837655-7	48.00 [1219.2]	-	OBSOLETE
2-837655-8	9.50 [241.3]	.50 [12.7]	OBSOLETE
2-837655-9	54.00 [1371.6]	.38 [9.7]	OBSOLETE
3-837655-0	15.00 [381.0]	.38 [9.7]	
3-837655-1	72.00 [1828.8]	-	OBSOLETE
3-837655-2	22.00 [558.8]	.38 [9.7]	OBSOLETE
3-837655-3	9.00 [228.6]	.38 [9.7]	OBSOLETE
3-837655-4	4.50 [114.3]	.38 [9.7]	
3-837655-5	15.43 [391.9]	.38 [9.7]	OBSOLETE
3-837655-6	11.00 [279.4]	.25 [6.3]	
3-837655-7	15.00 [381.0]	.25 [6.3]	OBSOLETE
3-837655-8	29.00 [736.6]	.38 [9.7]	OBSOLETE
3-837655-9	96.00 [2438.4]	.38 [9.7]	
4-837655-0	73.00 [1854.2]	.38 [9.7]	OBSOLETE
4-837655-1	40.00 [1016.0]	.38 [9.7]	
4-837655-2	60.00 [1524.0]	.38 [9.7]	
4-837655-3	42.00 [1066.8]	.38 [9.7]	OBSOLETE
4-837655-4	4.00 [101.6]	.38 [9.7]	OBSOLETE
4-837655-5	10.00 [254.0]	.38 [9.7]	
4-837655-6	14.00 [355.6]	.38 [9.7]	OBSOLETE
4-837655-7	8.00 [203.2]	.38 [9.7]	
4-837655-8	5.50 [139.7]	.38 [9.7]	
4-837655-9	3.00 [76.2]	.38 [9.7]	
5-837655-0	19.00 [482.6]	.38 [9.7]	

PART NO.	A	B	
5-837655-1	15.75 [400.0]	-	OBSOLETE
5-837655-2	7.00 [177.8]	.38 [9.7]	
5-837655-3	13.00 [330.2]	.38 [9.7]	OBSOLETE
5-837655-4	11.50 [292.1]	.38 [9.7]	OBSOLETE
5-837655-5	4.75 [120.6]	.38 [9.7]	OBSOLETE
5-837655-6	144.00 [3657.6]	.38 [9.7]	OBSOLETE
5-837655-7	50.00 [1270.0]	.38 [9.7]	OBSOLETE
5-837655-8	84.00 [2133.6]	.38 [9.7]	OBSOLETE
5-837655-9	5.25 [133.3]	.38 [9.7]	OBSOLETE
6-837655-0	80.00 [2032.0]	.38 [9.7]	OBSOLETE
6-837655-1	19.50 [495.3]	.38 [9.7]	OBSOLETE
6-837655-2	39.50 [1003.3]	.38 [9.7]	OBSOLETE
6-837655-3	81.00 [2057.4]	.38 [9.7]	OBSOLETE
6-837655-4	10.00 [254.0]	.25 [6.3]	
6-837655-5	19.69 [500.1]	-	OBSOLETE
6-837655-6	7.75 [196.8]	.38 [9.7]	OBSOLETE
6-837655-7	108.00 [2743.2]	.38 [9.7]	OBSOLETE
6-837655-8	78.75 [2000.2]	.38 [9.7]	
6-837655-9	21.00 [533.4]	.38 [9.7]	
7-837655-0	7.25 [184.1]	.38 [9.7]	OBSOLETE
7-837655-1	30.00 [762.0]	.38 [9.7]	OBSOLETE
7-837655-2	4.00 [101.6]	-	OBSOLETE
7-837655-3	12.50 [317.5]	.38 [9.7]	OBSOLETE
7-837655-4	18.00 [457.2]	.38 [9.7]	OBSOLETE
7-837655-5	17.00 [431.8]	.38 [9.7]	OBSOLETE
7-837655-6	7.50 [190.5]	.38 [9.7]	OBSOLETE



- TOLERANCE OF LEAD LENGTH:  
 UP TO 24 INCHES [609.6] = ±.12 [±3.0]  
 24 INCHES [609.6] & UP = ±1%
- MARKED PER MIL-STD-130.
- WHERE APPLICABLE PIGTAIL IS SOLDER DIPPED.
- TO MATE WITH AMP LGH-1 RECEPTACLE WITH .88 BARREL DEPTH.
- OPERATING VOLTAGE: 20 KVDC AT 0 TO 70,000 FEET, -55°C TO 125°C.

DO NOT SCALE PRINT. UNLESS SPECIFIED DIMENSIONS IN INCHES [mm]	DR 12-8-89 C.C. THOMAS	AMP INCORPORATED Harrisburg, Pa. 17105
TOLERANCES ON: 2 PLC DEC ± .02 (0.5) 3 PLC DEC ± - ANGLES ± -	CHK 2-26-90 D.EABY	
MATERIAL	APPD 2-26-90 D.EABY	NAME LEAD ASS'Y, LGH-1, SINGLE MOLDED END
SEE CALLOUTS	PRODUCT SPEC -	SIZE D
FINISH -	APPLICATION SPEC -	CAGE CODE 00779
WEIGHT -		DRAWING NO 837655
	SCALE 2:1	SHEET 1 OF 1