



Chipsmall Limited consists of a professional team with an average of over 10 year of expertise in the distribution of electronic components. Based in Hongkong, we have already established firm and mutual-benefit business relationships with customers from,Europe,America and south Asia,supplying obsolete and hard-to-find components to meet their specific needs.

With the principle of “Quality Parts,Customers Priority,Honest Operation,and Considerate Service”,our business mainly focus on the distribution of electronic components. Line cards we deal with include Microchip,ALPS,ROHM,Xilinx,Pulse,ON,Everlight and Freescale. Main products comprise IC,Modules,Potentiometer,IC Socket,Relay,Connector.Our parts cover such applications as commercial,industrial, and automotives areas.

We are looking forward to setting up business relationship with you and hope to provide you with the best service and solution. Let us make a better world for our industry!



Contact us

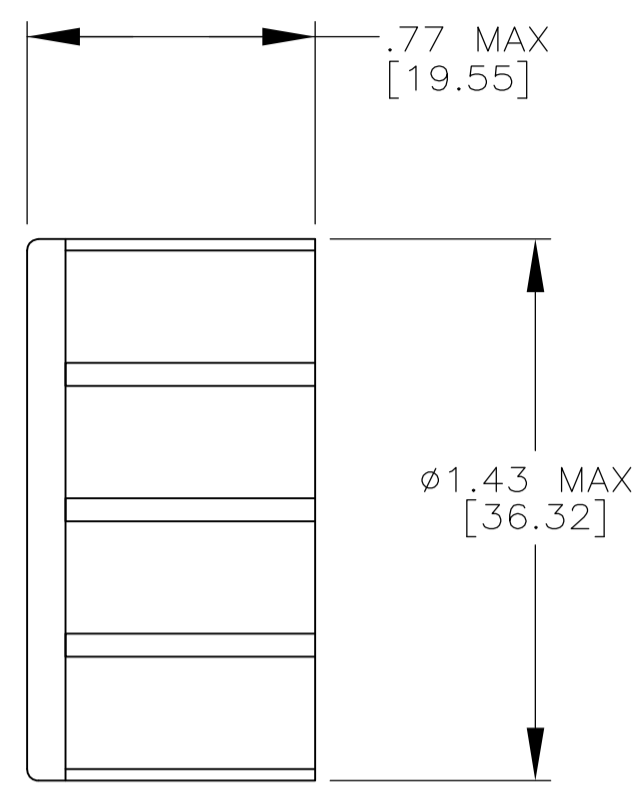
Tel: +86-755-8981 8866 Fax: +86-755-8427 6832

Email & Skype: info@chipsmall.com Web: www.chipsmall.com

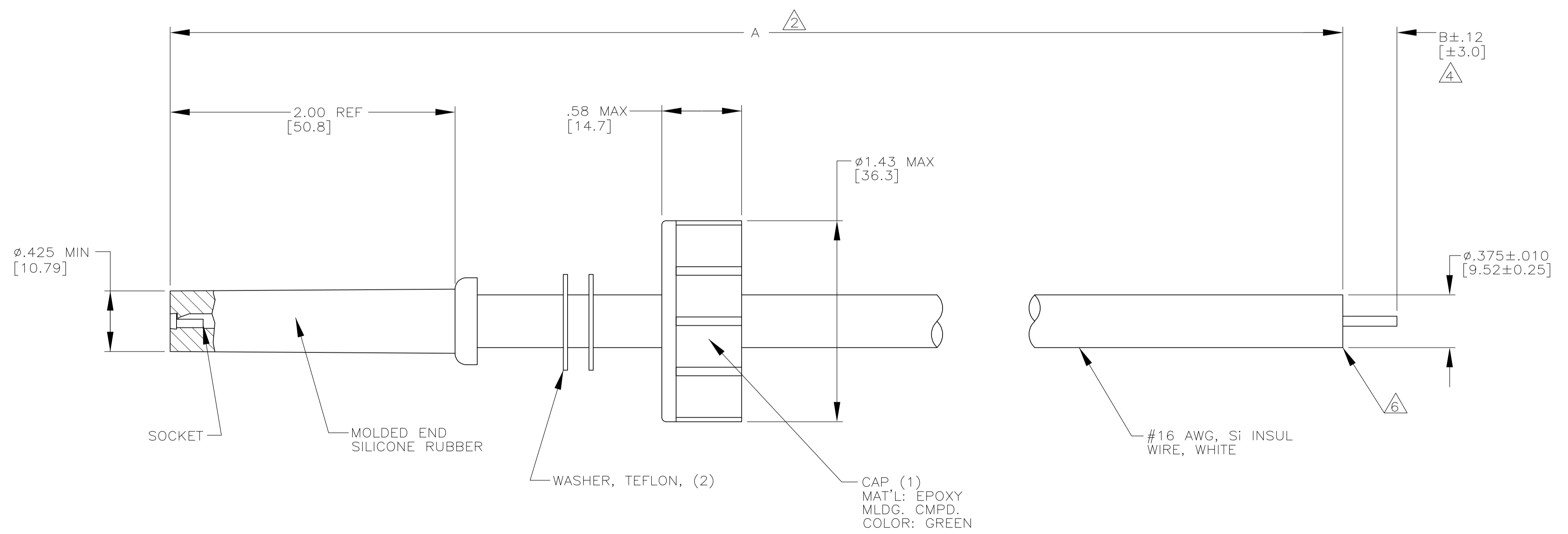
Address: A1208, Overseas Decoration Building, #122 Zhenhua RD., Futian, Shenzhen, China



PART NO.	A	B	REMARKS
846290-1	12.00 [304.8]	.38 [9.7]	⚠
846290-2	16.00 [406.4]	.38 [9.7]	⚠
846290-3	24.00 [609.6]	.38 [9.7]	⚠
846290-4	48.00 [1219.2]	.38 [9.7]	⚠
846290-5	39.00 [990.6]	.38 [9.7]	⚠
846290-6	36.00 [914.4]	.38 [9.7]	⚠
846290-7	15.75 [400.0]	-	⚠
846290-8	72.00 [1828.8]	.38 [9.7]	⚠
846290-9	60.00 [1524.0]	.38 [9.7]	⚠
1-846290-0	84.00 [2133.6]	.38 [9.7]	⚠
1-846290-1	96.00 [2438.4]	.38 [9.7]	⚠
1-846290-2	56.00 [1422.4]	.38 [9.7]	⚠
1-846290-3	600.00 [15240.0]	.38 [9.7]	⚠
1-846290-4	20.00 [508.0]	.38 [9.7]	⚠
1-846290-5	30.00 [762.0]	.38 [9.7]	⚠
1-846290-6	18.00 [457.2]	.38 [9.7]	⚠
1-846290-7	6.00 [152.4]	.38 [9.7]	⚠
1-846290-8	7.00 [177.8]	.38 [9.7]	⚠
1-846290-9	8.50 [215.9]	.38 [9.7]	⚠
2-846290-0	16.50 [419.1]	.38 [9.7]	⚠
2-846290-1	9.00 [228.6]	.38 [9.7]	⚠
2-846290-2	10.00 [254.0]	.38 [9.7]	⚠
2-846290-3	21.00 [533.4]	.38 [9.7]	⚠
2-846290-4	32.00 [812.8]	.38 [9.7]	⚠
2-846290-5	28.00 [711.2]	.38 [9.7]	⚠
2-846290-6	82.00 [2082.8]	.38 [9.7]	⚠
2-846290-7	76.00 [1930.4]	.38 [9.7]	⚠
2-846290-8	120.00 [3048.0]	.38 [9.7]	⚠
2-846290-9	54.00 [1371.6]	.38 [9.7]	⚠
3-846290-0	78.75 [2000.2]	.38 [9.7]	⚠
3-846290-1	32.50 [825.5]	.38 [9.7]	⚠
3-846290-2	394.00 [10007.6]	.38 [9.7]	⚠
3-846290-3	50.00 [1270.0]	.38 [9.7]	⚠
3-846290-4	787.00 [19989.8]	.38 [9.7]	⚠
3-846290-5	39.38 [1000.3]	.38 [9.7]	⚠
3-846290-6	27.00 [685.8]	.38 [9.7]	⚠
3-846290-7	198.00 [5029.2]	.38 [9.7]	⚠
3-846290-8	32.00 [812.8]	.38 [9.7]	⚠
3-936566-9	40.00 [1016.0]	.38 [9.7]	⚠
4-846290-0	315.00 [8001.0]	.38 [9.7]	⚠
4-846290-1	1181.00 [29997.4]	.38 [9.7]	⚠
4-846290-2	65.00 [1651.0]	.38 [9.7]	⚠
4-846290-3	87.00 [2209.8]	.38 [9.7]	⚠
4-846290-4	48.00 [1219.2]	.38 [9.7]	⚠
5-846290-1	12.00 [304.8]	.38 [9.7]	⚠
5-846290-3	24.00 [609.6]	.38 [9.7]	⚠
5-846290-4	48.00 [1219.2]	.38 [9.7]	⚠
5-846290-6	36.00 [914.4]	.38 [9.7]	⚠
5-846290-7	15.75 [400.0]	-	⚠
6-846290-2	56.00 [1422.4]	.38 [9.7]	⚠
6-846290-4	20.00 [508.0]	.38 [9.7]	⚠
6-846290-5	30.00 [762.0]	.38 [9.7]	⚠
6-846290-6	18.00 [457.2]	.38 [9.7]	⚠
7-846290-0	16.50 [419.1]	.38 [9.7]	⚠
7-846290-6	82.00 [2082.8]	.38 [9.7]	⚠
7-846290-8	120.00 [3048.0]	.38 [9.7]	⚠
8-846290-7	198.00 [5029.2]	.38 [9.7]	⚠
9-846290-0	315.00 [8001.0]	.38 [9.7]	⚠
9-846290-1	1181.00 [29997.4]	.38 [9.7]	⚠
9-846290-4	48.00 [1219.2]	.38 [9.7]	⚠



4-846290-2 & 4-846290-4 ONLY



LOC	DIST	REVISIONS					
DF	SO	P	LTR	DESCRIPTION	DATE	DWN	APVD
		W		REV PER ECO-11-009838	16MAY11	PY	DE

1. MARKED PER MIL-STD-130.
- ⚠ TOLERANCE OF LEAD LENGTH:
UP TO 24 INCHES [609.6] = ±.12 [3.0]
24 INCHES [609.6] & UP = 1%
3. OPERATING VOLTAGE: 50 KVDC AT 0 TO 70,000 FEET, -55°C TO 125°C.
- ⚠ WHERE APPLICABLE "B" LENGTH IS SOLDER DIPPED.
5. TO MATE WITH WITH AMP LGH-4 RECEPTACLE WITH 2.00 [50.80] BARREL DEPTH.
- ⚠ INSULATION CUT, BUT NOT REMOVED.

THIS DRAWING IS A CONTROLLED DOCUMENT.

DIN: C.C.THOMAS 11-DEC-89
 CHK: S.GLATFELTER 19-DEC-89
 APVD: G.SCHEFFER 19-DEC-89

TE Connectivity

NAME: LEAD ASSY
 SGL END
 LGH-4

SIZE: A1
 CAGE CODE: 00779
 DRAWING NO: 846290

SCALE: 2:1
 SHEET: 1 OF 1
 REV: W