



Chipsmall Limited consists of a professional team with an average of over 10 year of expertise in the distribution of electronic components. Based in Hongkong, we have already established firm and mutual-benefit business relationships with customers from,Europe,America and south Asia,supplying obsolete and hard-to-find components to meet their specific needs.

With the principle of "Quality Parts,Customers Priority,Honest Operation,and Considerate Service",our business mainly focus on the distribution of electronic components. Line cards we deal with include Microchip,ALPS,ROHM,Xilinx,Pulse,ON,Everlight and Freescale. Main products comprise IC,Modules,Potentiometer,IC Socket,Relay,Connector.Our parts cover such applications as commercial,industrial, and automotives areas.

We are looking forward to setting up business relationship with you and hope to provide you with the best service and solution. Let us make a better world for our industry!



Contact us

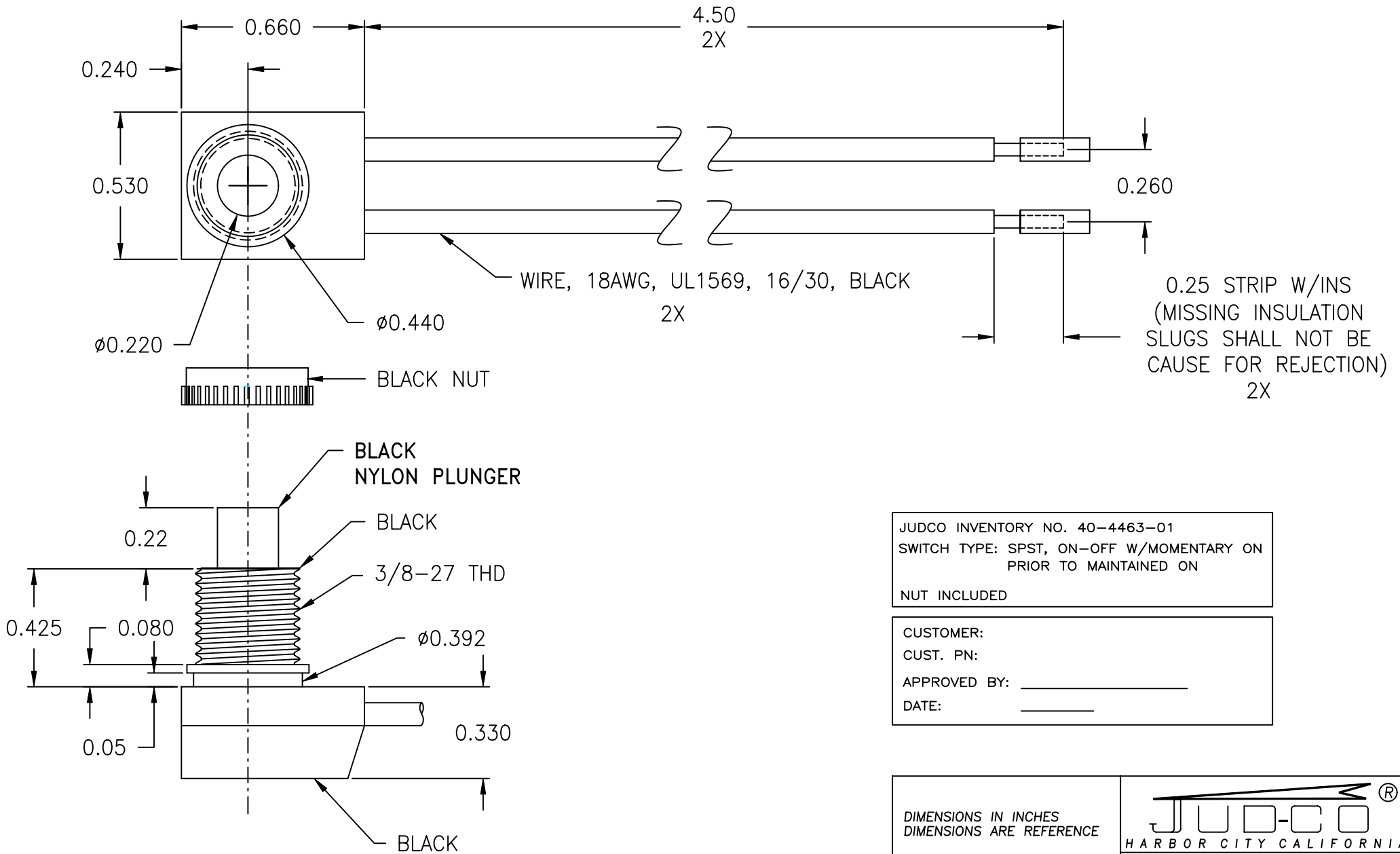
Tel: +86-755-8981 8866 Fax: +86-755-8427 6832

Email & Skype: info@chipsmall.com Web: www.chipsmall.com

Address: A1208, Overseas Decoration Building, #122 Zhenhua RD., Futian, Shenzhen, China



LTR	EN	DESCRIPTION	APPR	BY	DATE
A	-	INITIAL RELEASE	RB	EM	4-27-06
B	6269	CHANGED PLUNGER FROM ACETAL TO NYLON	MT	NH	4-06-11



JUDCO INVENTORY NO. 40-4463-01
 SWITCH TYPE: SPST, ON-OFF W/MOMENTARY ON
 PRIOR TO MAINTAINED ON
 NUT INCLUDED

CUSTOMER:
 CUST. PN:
 APPROVED BY: _____
 DATE: _____

DIMENSIONS IN INCHES
 DIMENSIONS ARE REFERENCE

APPR: KJ 04-27-06
 DRAWN: NH 04-06-11
 ENG: IS 04-06-11

1415U955B.DWG

JUDCO®
 HARBOR CITY CALIFORNIA

TITLE
OUTLINE
J-188A-1 MOMENTARY ON

DWG. NO.
1415-955

SHEET
 1 OF 1

This document embodies a product, component, and/or design proprietary to JUDCO MANUFACTURING INC., and which is protected either as a trade secret, by U.S. Patent, or by copyright. It may not be used in any way without written express consent of JUDCO MANUFACTURING INC.