



Chipsmall Limited consists of a professional team with an average of over 10 year of expertise in the distribution of electronic components. Based in Hongkong, we have already established firm and mutual-benefit business relationships with customers from,Europe,America and south Asia,supplying obsolete and hard-to-find components to meet their specific needs.

With the principle of “Quality Parts,Customers Priority,Honest Operation,and Considerate Service”,our business mainly focus on the distribution of electronic components. Line cards we deal with include Microchip,ALPS,ROHM,Xilinx,Pulse,ON,Everlight and Freescale. Main products comprise IC,Modules,Potentiometer,IC Socket,Relay,Connector.Our parts cover such applications as commercial,industrial, and automotives areas.

We are looking forward to setting up business relationship with you and hope to provide you with the best service and solution. Let us make a better world for our industry!



Contact us

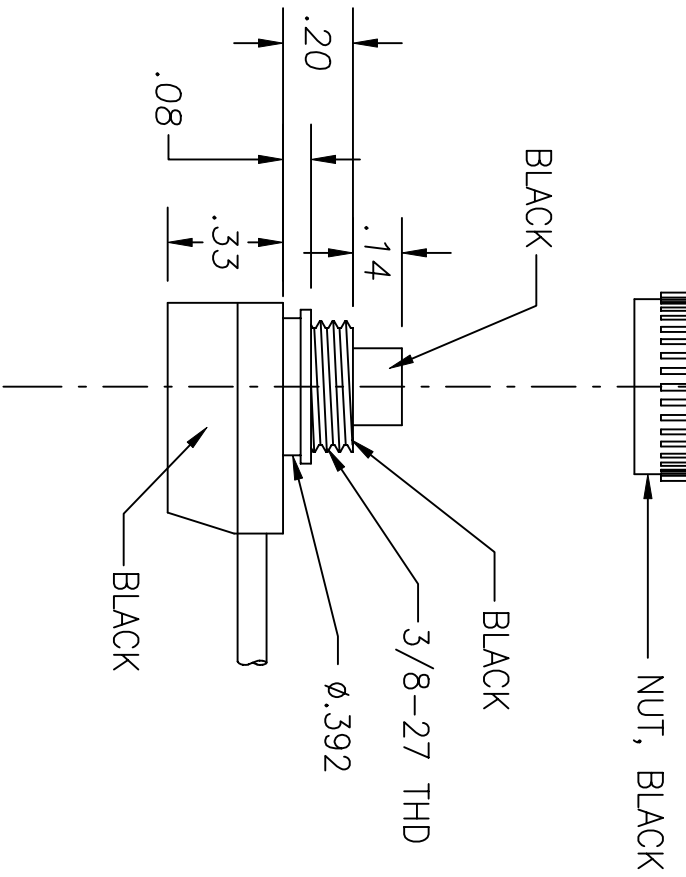
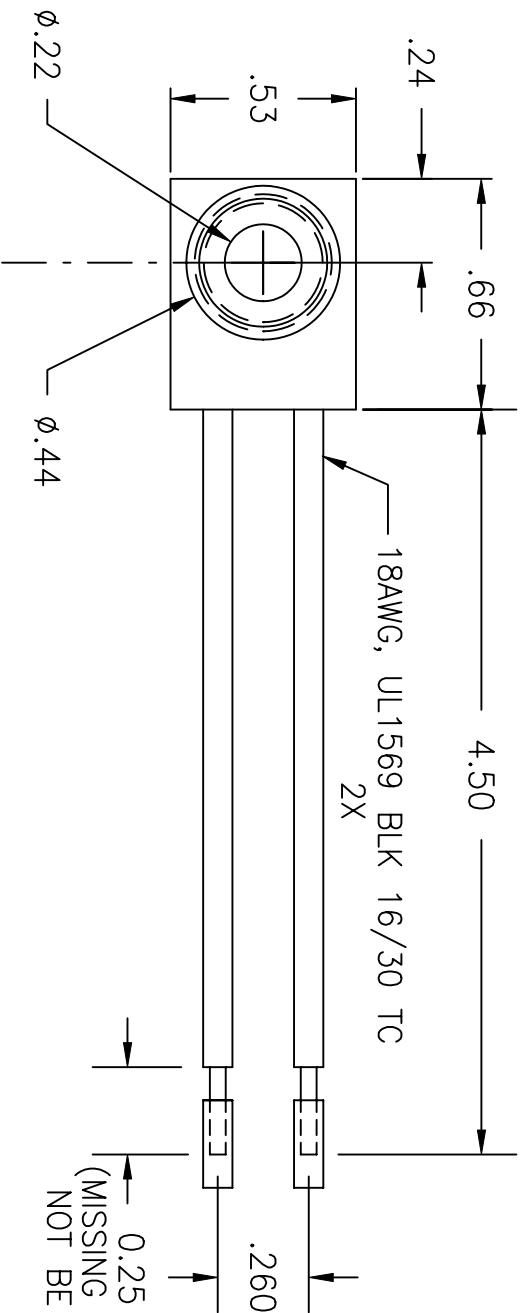
Tel: +86-755-8981 8866 Fax: +86-755-8427 6832

Email & Skype: info@chipsmall.com Web: www.chipsmall.com

Address: A1208, Overseas Decoration Building, #122 Zhenhua RD., Futian, Shenzhen, China



LTR	EN	DESCRIPTION	APPR	BY	DATE
A	-	INITIAL RELEASE	RB	DC	09-18-06



JUDCO INVENTORY NO. 40-4521-00
 SWITCH TYPE: PUSH ON-PUSH OFF, SPST
 UL ELECTRICAL RATING: 125 VAC, 6A
 UL TEMPERATURE RATING: 65°C
 NUTS PACKED SEPARATELY.

CUSTOMER: DIGI-KEY
 CUSTOMER PN: TBD
 ACCEPTED BY: _____
 DATE: _____

Dimensions in inches
 DIMENSIONS ARE REFERENCE

DRAWN: DC 09-18-06
 APPR: KJ 09-18-06

TITLE
 HARBOR CITY CALIFORNIA
 J-188B-1 OUTLINE
 ULAC WIRES

DWG. NO. 1415-1022
 SHEET 1 OF 1

1415U1022A.DWG

This document embodies a product, component, and/or design proprietary to JUDCO MANUFACTURING INC., and which is protected either as a trade secret, by U.S. Patent, or by copyright. It may not be used in any way without written express consent of JUDCO MANUFACTURING INC.