



Chipsmall Limited consists of a professional team with an average of over 10 year of expertise in the distribution of electronic components. Based in Hongkong, we have already established firm and mutual-benefit business relationships with customers from,Europe,America and south Asia,supplying obsolete and hard-to-find components to meet their specific needs.

With the principle of "Quality Parts,Customers Priority,Honest Operation,and Considerate Service",our business mainly focus on the distribution of electronic components. Line cards we deal with include Microchip,ALPS,ROHM,Xilinx,Pulse,ON,Everlight and Freescale. Main products comprise IC,Modules,Potentiometer,IC Socket,Relay,Connector.Our parts cover such applications as commercial,industrial, and automotives areas.

We are looking forward to setting up business relationship with you and hope to provide you with the best service and solution. Let us make a better world for our industry!



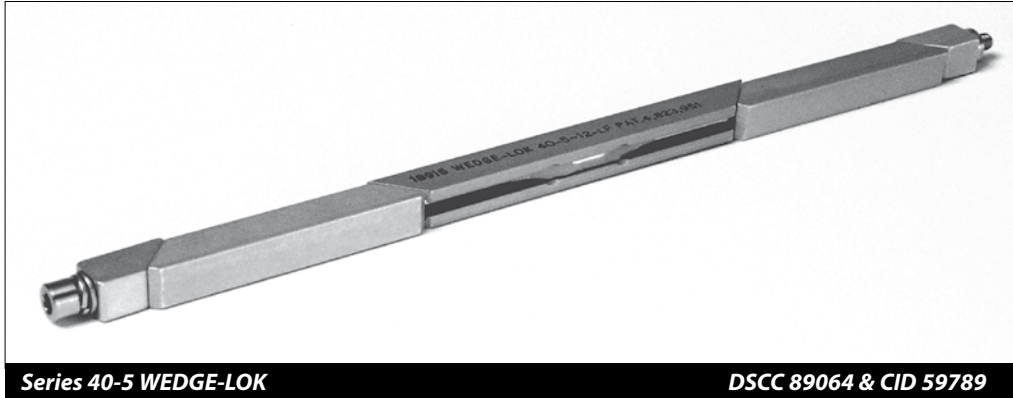
Contact us

Tel: +86-755-8981 8866 Fax: +86-755-8427 6832

Email & Skype: info@chipsmall.com Web: www.chipsmall.com

Address: A1208, Overseas Decoration Building, #122 Zhenhua RD., Futian, Shenzhen, China





Series 40-5 WEDGE-LOK

DSCC 89064 & CID 59789

RECOMMENDED GAP WIDTH

PCB + 7.62 (.300)

RECOMMENDED TORQUE

80 N-cm (7 in-lbs)*

WEIGHT

1.16 g/cm (.104 oz/in)

MATERIALS AND FINISH

WEDGES

Material:

Aluminum Alloy 6061-T6 per QQ-A-200/8

Finish:

See finish table on opposite page

SCREW

.09-in. or 2.5-mm hex. socket head cap screw, depending on mounting configuration

Material:

300 series stainless steel per QQ-S-763

ASTM A-582

A286 per FF-S-86 with dry film lube per

MIL-L-46010 for "TLC" option

Finish:

Passivated per AMS2700

ALIGNMENTS PRINGS

Material:

301 stainless steel half hard per AMS 5518

Finish:

Passivated per AMS2700

OPTIONAL LOCK AND FLAT WASHER

Material:

300 series stainless steel per QQ-S-763 and

ASTM A-582

Finish:

Passivated per AMS2700

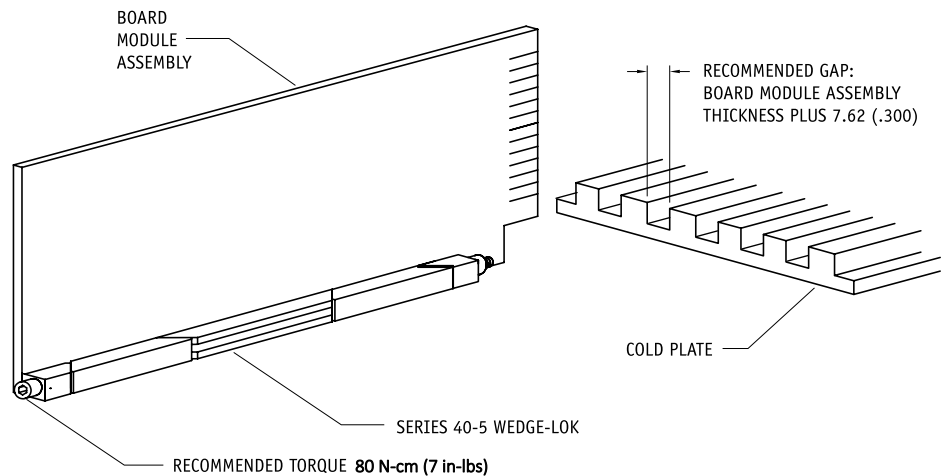
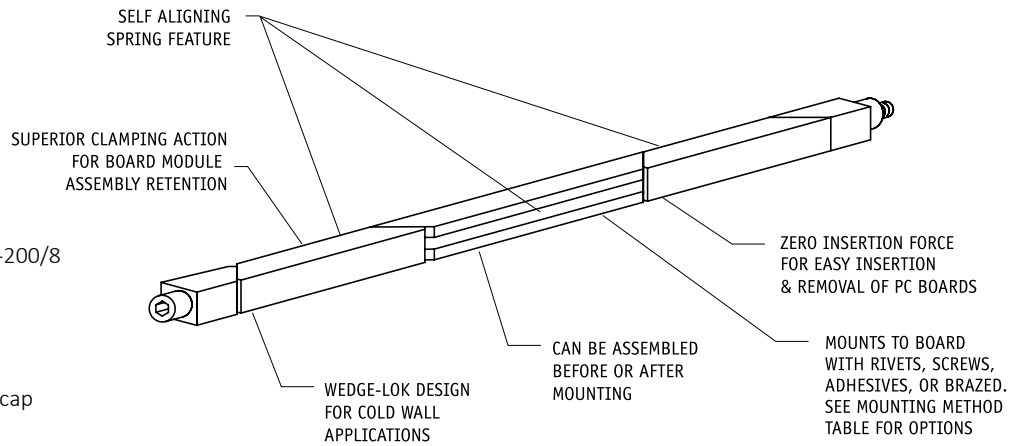
OPTIONAL LOCK NUT

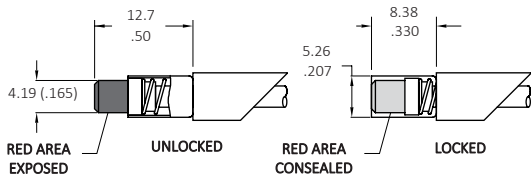
Material:

Type A286 stainless steel per ASTM AMS 5525

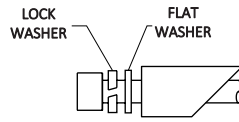
Finish:

Silver plate per AMS 2410

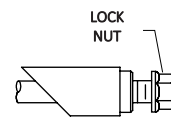




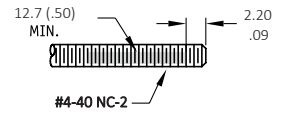
VI OPTION *
Indicates assembly is unlocked (adds 5.1 (.20) to screw length)



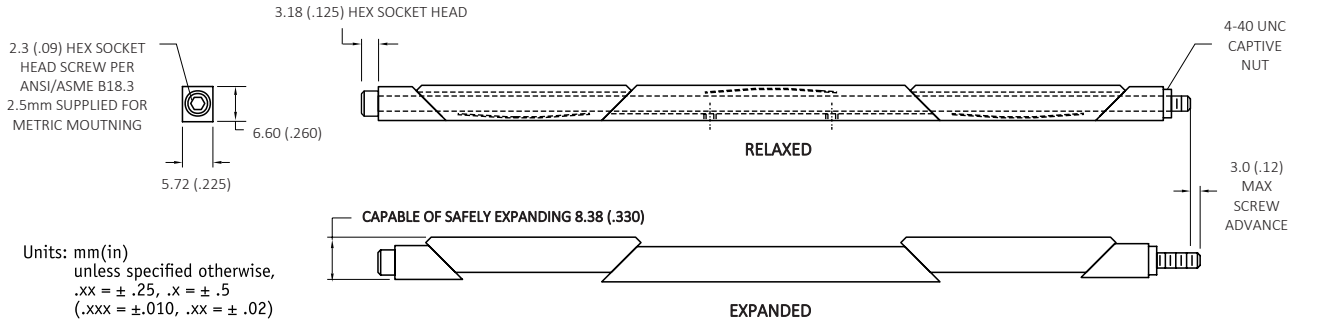
LF OPTION *
Provides additional resistance to shock and vibration (adds 2.5 (.10) in screw length)



LN OPTION
Captivates rear wedge when untorqued (adds 2.5 (.10) to screw length)

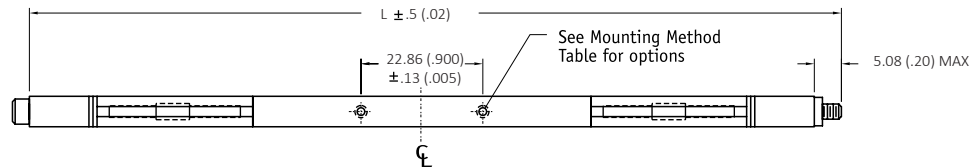


LOPTION
Provides additional resistance to shock and vibration



Units: mm(in)
unless specified otherwise,
.xx = ± .25, .x = ± .5
(.xxx = ±.010, .xx = ± .02)

MOUNTING HOLE LOCATION
22.86 (.900) hole spacing centered on mounting body
-10 thru -13 2 holes
-14 thru -24 4 holes



Part Number Code	40-5	VI	10	B	LF	LN	S	L
Type								
Torque Limiting Version*		TLC						
Standard version with Visual Indicator		VI						
Standard version		[Blank]						
Length								
Length in 12.7 (.50) increments		10	[127.0 (5.00)]					
			to 24	[304.8 (12.00)]				
Finish								
Black Anodized				B				
Or select code letter from Finish Table								
Lock/Flat Washers and Locknut								
Lock Washer and Flat Washer					LF			
None					[Blank]			
Lock Nut						LN		
None						[Blank]		
Mounting								
Standard 2-56 UNC-2B tapped holes								[Blank]
or choose from Mounting Method Table								
Lock Patch								
Lock Patch								L
None								[Blank]

FINISH TABLE

CODE LETTER	SURFACE FINISH
[blank]	CHEMICAL FILM PER MIL-DTL-5541, TYPE I, CLASS 1A, GOLD, NON ROHS COMPLIANT
CC	CHEMICAL FILM PER MIL-DTL-5541, TYPE II, CLASS 1A, CLEAR
EN	ELECTROLESS NICKEL PER MIL-C-26074, CLASS 4, GRADE B, BRIGHT
N	NICKEL PLATE PER QQ-N-290, CLASS 1, GRADE G, BRIGHT
B	BLACK ANODIZE PER MIL-A-8625, TYPE II, CLASS 2
B3	HARD BLACK ANODIZE PER MIL-A-8625, TYPE III, CLASS 2
B3D	HARD BLACK ANODIZE WITH DRY FILM LUBE PER MIL-L-46010

MOUNTING METHOD TABLE

CODE LETTER	METHOD
[blank]	2-56 UNC-2B TAPPED HOLE
R	RIVET MOUNT (Ø 1.70 + .10/- .03 (.067 + .004/.001) THRU □ Ø3.96 (.156) ± 5.08 (.200) √ Ø 3.56 (.140) x 100°)
	RIVET "R" PARTS ARE SHIPPED UNASSEMBLED AND EXCLUDE ALIGNMENT PINS
A	NO MOUNTING HOLES
T	0-80 UNF-2B TAPPED HOLE
M2	M2 X .40 TAPPED HOLE
M	M2.5 X .45 TAPPED HOLE

*NOTE: FOR TORQUE LIMITING (TLC) VERSION:
VISUAL INDICATOR (VI), LOCK/FLAT WASHER (LF) NOT AVAILABLE
ONE ALIGNMENT SPRING FOR -10 TO -15 LENGTHS
MUST CLICK 3+ TIMES FOR PROPER INSTALLATION