



Chipsmall Limited consists of a professional team with an average of over 10 year of expertise in the distribution of electronic components. Based in Hongkong, we have already established firm and mutual-benefit business relationships with customers from,Europe,America and south Asia,supplying obsolete and hard-to-find components to meet their specific needs.

With the principle of "Quality Parts,Customers Priority,Honest Operation,and Considerate Service",our business mainly focus on the distribution of electronic components. Line cards we deal with include Microchip,ALPS,ROHM,Xilinx,Pulse,ON,Everlight and Freescale. Main products comprise IC,Modules,Potentiometer,IC Socket,Relay,Connector.Our parts cover such applications as commercial,industrial, and automotives areas.

We are looking forward to setting up business relationship with you and hope to provide you with the best service and solution. Let us make a better world for our industry!



Contact us

Tel: +86-755-8981 8866 Fax: +86-755-8427 6832

Email & Skype: info@chipsmall.com Web: www.chipsmall.com

Address: A1208, Overseas Decoration Building, #122 Zhenhua RD., Futian, Shenzhen, China



5

4

3

2

1

受控 CONTROLLED DOCUMENT

编号 P/N	40-9415HDM-CUST	版本 Rev	02	日期 Rel'd Date	Aug9,11
-----------	-----------------	-----------	----	------------------	---------

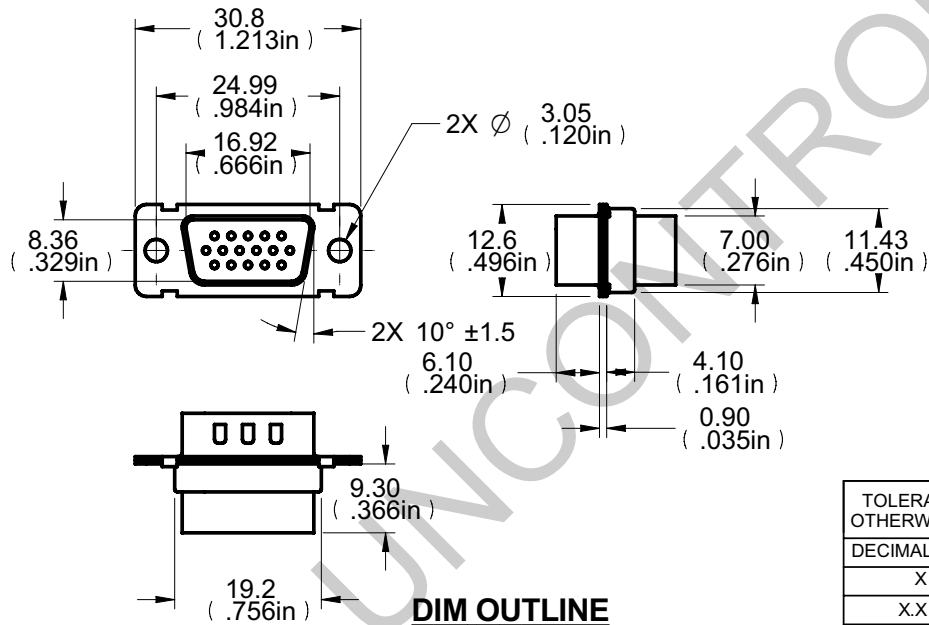
Description: HI-Density Crimp 15 Pin Male
 Part No: 40-9415HDM
 Application: 94 Series D-Sub Connector
 Crimp Tool: N/A
 Impedance: N/A
 Frequency Range: N/A
 Material: Shell Steel, Tin plated
 Insulator PBT+Fiber-grass, UL94-V0
 RoHS Compliance: Yes
 Technical Detail: N/A



DRAWING NO.
40-9415HDM-CUST

REVISIONS

01	OFFICIAL RELEASE					
	11-26-09	Y	U	Y	T	H
02	CHANGE DIMENSION FROM 9.3 TO 7.0					
	07-01-11	L	H	M		ECO-11-0127



CUSTOMER COPY

TOLERANCE UNLESS OTHERWISE SPECIFIED		DRAWN BY Wencan Li	DATE 07-01-11
DECIMALS	mm	CHECKED BY Hu Yuge	DATE 07-01-11
X	± 0.5	APPROVED BY Ma Lin	DATE 07-01-11
X.XX	± 0.3	U/M	mm
X.XXX	± 0.2		
ANGLES	± 0.5°		



TITLE
HI-DENSITY CRIMP 15 PIN MALE

THIS DRAWING WAS PRODUCED BY COMPUTER,
DO NOT SCALE DRAWING OR UPDATE MANUALLY.

SHEET 1 OF 1
 DRAWING NO. 40-9415HDM-CUST
 SIZE A

5

4

3

2

1