



Chipsmall Limited consists of a professional team with an average of over 10 year of expertise in the distribution of electronic components. Based in Hongkong, we have already established firm and mutual-benefit business relationships with customers from,Europe,America and south Asia,supplying obsolete and hard-to-find components to meet their specific needs.

With the principle of “Quality Parts,Customers Priority,Honest Operation,and Considerate Service”,our business mainly focus on the distribution of electronic components. Line cards we deal with include Microchip,ALPS,ROHM,Xilinx,Pulse,ON,Everlight and Freescale. Main products comprise IC,Modules,Potentiometer,IC Socket,Relay,Connector.Our parts cover such applications as commercial,industrial, and automotives areas.

We are looking forward to setting up business relationship with you and hope to provide you with the best service and solution. Let us make a better world for our industry!



Contact us

Tel: +86-755-8981 8866 Fax: +86-755-8427 6832

Email & Skype: info@chipsmall.com Web: www.chipsmall.com

Address: A1208, Overseas Decoration Building, #122 Zhenhua RD., Futian, Shenzhen, China



5

4

3

2

1

DRAWING NO.
40-9428F-CUST

REVISIONS

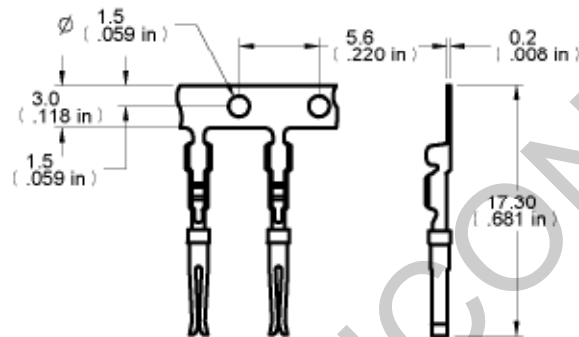
01 OFFICIAL RELEASE

11-27-09 Y U H Betty 20091111
10:22:52
4-10'07"

Description: H.D. Crimp Pin ,Female, 100/Bag
 Part No: 40-9428F
 Application: D-Sub Pin& Sockets
 Crimp Tool: N/A
 Impedance: N/A
 Frequency Range: N/A
 Material: Pin Phosphor Bronze, Gold plated
 RoHS Compliance: Yes
 Technical Detail: N/A

受控 CONTROLLED DOCUMENT

编号 P/N	40-9428F	版本 Rev	01	日期 Rel'd Date	DEC 17, 09
-----------	----------	-----------	----	------------------	------------



DIM OUTLINE

CUSTOMER COPY

TOLERANCE UNLESS OTHERWISE SPECIFIED		DRAWN BY BETTY.YU	DATE 11-27-09
DECIMALS	mm	CHECKED BY BETTY.YU	DATE 11-27-09
X	+ 0.5	APPROVED BY THOMAS	DATE 11-27-09
X.X	+ 0.3	U/M	mm
X.XX	+ 0.1		
ANGLES	± 0.5°		

TITLE
H.D. CRIMP PIN ,FEMALE, 100/BAGTHIS DRAWING WAS PRODUCED BY COMPUTER,
DO NOT SCALE DRAWING OR UPDATE MANUALLY.SHEET
1 OF 1DRAWING NO.
40-9428F-CUSTSIZE
A

5

4

3

2

1