



Chipsmall Limited consists of a professional team with an average of over 10 year of expertise in the distribution of electronic components. Based in Hongkong, we have already established firm and mutual-benefit business relationships with customers from,Europe,America and south Asia,supplying obsolete and hard-to-find components to meet their specific needs.

With the principle of “Quality Parts,Customers Priority,Honest Operation,and Considerate Service”,our business mainly focus on the distribution of electronic components. Line cards we deal with include Microchip,ALPS,ROHM,Xilinx,Pulse,ON,Everlight and Freescale. Main products comprise IC,Modules,Potentiometer,IC Socket,Relay,Connector.Our parts cover such applications as commercial,industrial, and automotives areas.

We are looking forward to setting up business relationship with you and hope to provide you with the best service and solution. Let us make a better world for our industry!



## Contact us

Tel: +86-755-8981 8866 Fax: +86-755-8427 6832

Email & Skype: info@chipsmall.com Web: www.chipsmall.com

Address: A1208, Overseas Decoration Building, #122 Zhenhua RD., Futian, Shenzhen, China



5

4

3

2

1

D

C

B

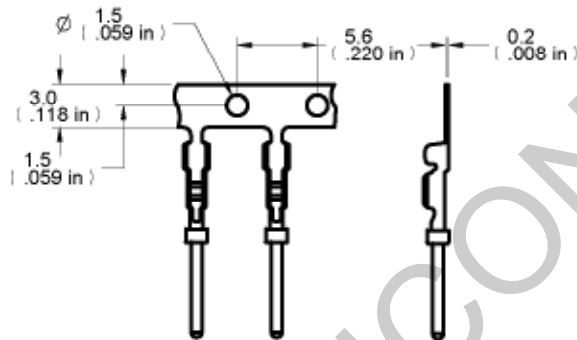
A



Description: H.D. Crimp Pin , Male, 100/Bag  
 Part No: 40-9428M  
 Application: D-Sub Pin& Sockets  
 Crimp Tool: N/A  
 Impedance: N/A  
 Frequency Range: N/A  
 Material: Pin Brass, Gold plated  
 RoHS Compliance: Yes  
 Technical Detail: N/A

DRAWING NO. 40-9428M-CUST	
REVISIONS	
OFFICIAL RELEASE	
01	11-27-09 <i>Betty</i>

受控 CONTROLLED DOCUMENT					
编号 P/N	40-9428M	版本 Rev	01	日期 Rel'd Date	DEC 17, 09



**DIM OUTLINE**

CUSTOMER COPY

TOLERANCE UNLESS OTHERWISE SPECIFIED		DRAWN BY	DATE
DECIMALS	mm	BETTY.YU	11-27-09
X	+ 0.5	CHECKED BY	DATE
XX	+ 0.3	BETTY.YU	11-27-09
XXX	+ 0.1	APPROVED BY	DATE
ANGLES	+ 0.5°	THOMAS	11-27-09
		U/M	mm



TITLE  
H.D. CRIMP PIN , FEMALE, 100/BAG

THIS DRAWING WAS PRODUCED BY COMPUTER,  
DO NOT SCALE DRAWING OR UPDATE MANUALLY.

SHEET	DRAWING NO.	SIZE
1 OF 1	40-9428M-CUST	A