



Chipsmall Limited consists of a professional team with an average of over 10 year of expertise in the distribution of electronic components. Based in Hongkong, we have already established firm and mutual-benefit business relationships with customers from,Europe,America and south Asia,supplying obsolete and hard-to-find components to meet their specific needs.

With the principle of "Quality Parts,Customers Priority,Honest Operation,and Considerate Service",our business mainly focus on the distribution of electronic components. Line cards we deal with include Microchip,ALPS,ROHM,Xilinx,Pulse,ON,Everlight and Freescale. Main products comprise IC,Modules,Potentiometer,IC Socket,Relay,Connector.Our parts cover such applications as commercial,industrial, and automotives areas.

We are looking forward to setting up business relationship with you and hope to provide you with the best service and solution. Let us make a better world for our industry!



Contact us

Tel: +86-755-8981 8866 Fax: +86-755-8427 6832

Email & Skype: info@chipsmall.com Web: www.chipsmall.com

Address: A1208, Overseas Decoration Building, #122 Zhenhua RD., Futian, Shenzhen, China



5

4

3

2

1

DRAWING NO.

40-9588M-CUST

REVISIONS

01

OFFICIAL RELEASE

08-10-09

J

J

T

W

T

T

T

T

T

T

T

T

T

T

Betty 2009.09.01
8 09:26:12
+08:00L

Description: Mod adptr kit, DB25M-RJ45, grey

Part No: 40-9588M

Application: Adapter

Crimp Tool: N/A

Impedance: N/A

Frequency Range: N/A

Material: Connector DC DB25 male

Terminal D-sub type, male

Screw #4-40 UNC

Jack 8P8C

Hood 8P8C and DC25 GC plastic

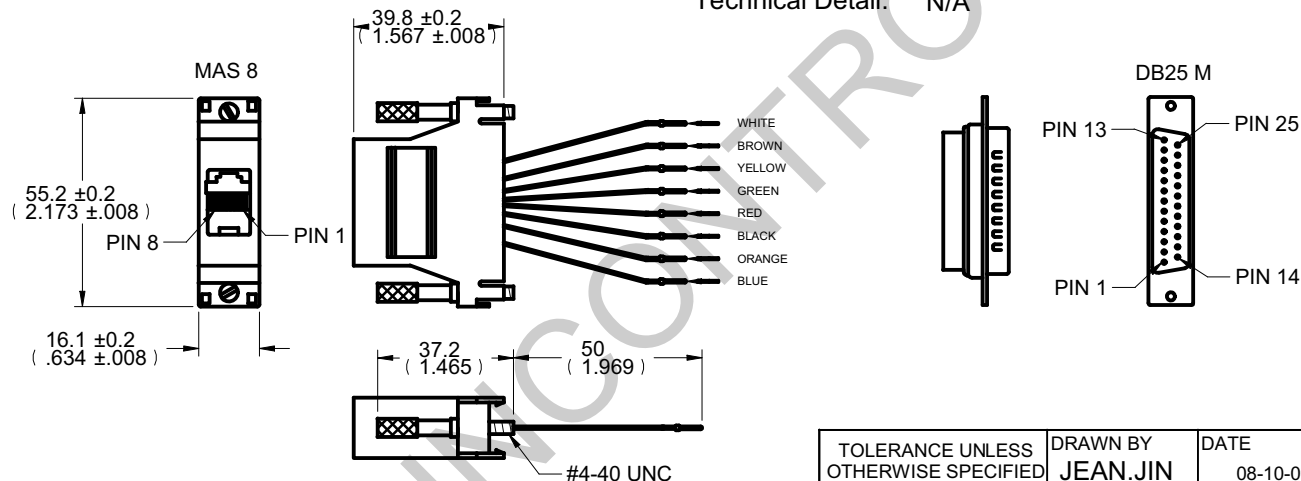
Wire UL1061 26AWG

RoHS Compliance: Yes

Technical Detail: N/A

受控 CONTROLLED DOCUMENT

编号 P/N	40-9588M-CUST	版本 Rev	01	日期 Rel'd Date	SEP 14, 09
-----------	---------------	-----------	----	------------------	------------

**DIM OUTLINE**

CUSTOMER COPY

TOLERANCE UNLESS OTHERWISE SPECIFIED		DRAWN BY JEAN.JIN	DATE 08-10-09
DECIMALS	mm	CHECKED BY TERRY.W	DATE 08-10-09
X	± 3	APPROVED BY THOMAS	DATE 08-10-09
X.X	± 0.3	U/M	mm
X.XX	± 0.1		
ANGLES	± 0.5°		

TITLE
MOD ADPTR KIT ,DB25M-RJ45,GREYSHEET
1 OF 1DRAWING NO.
40-9588M-CUSTSIZE
A

5

4

3

2

1