



Chipsmall Limited consists of a professional team with an average of over 10 year of expertise in the distribution of electronic components. Based in Hongkong, we have already established firm and mutual-benefit business relationships with customers from,Europe,America and south Asia,supplying obsolete and hard-to-find components to meet their specific needs.

With the principle of “Quality Parts,Customers Priority,Honest Operation,and Considerate Service”,our business mainly focus on the distribution of electronic components. Line cards we deal with include Microchip,ALPS,ROHM,Xilinx,Pulse,ON,Everlight and Freescale. Main products comprise IC,Modules,Potentiometer,IC Socket,Relay,Connector.Our parts cover such applications as commercial,industrial, and automotives areas.

We are looking forward to setting up business relationship with you and hope to provide you with the best service and solution. Let us make a better world for our industry!



Contact us

Tel: +86-755-8981 8866 Fax: +86-755-8427 6832

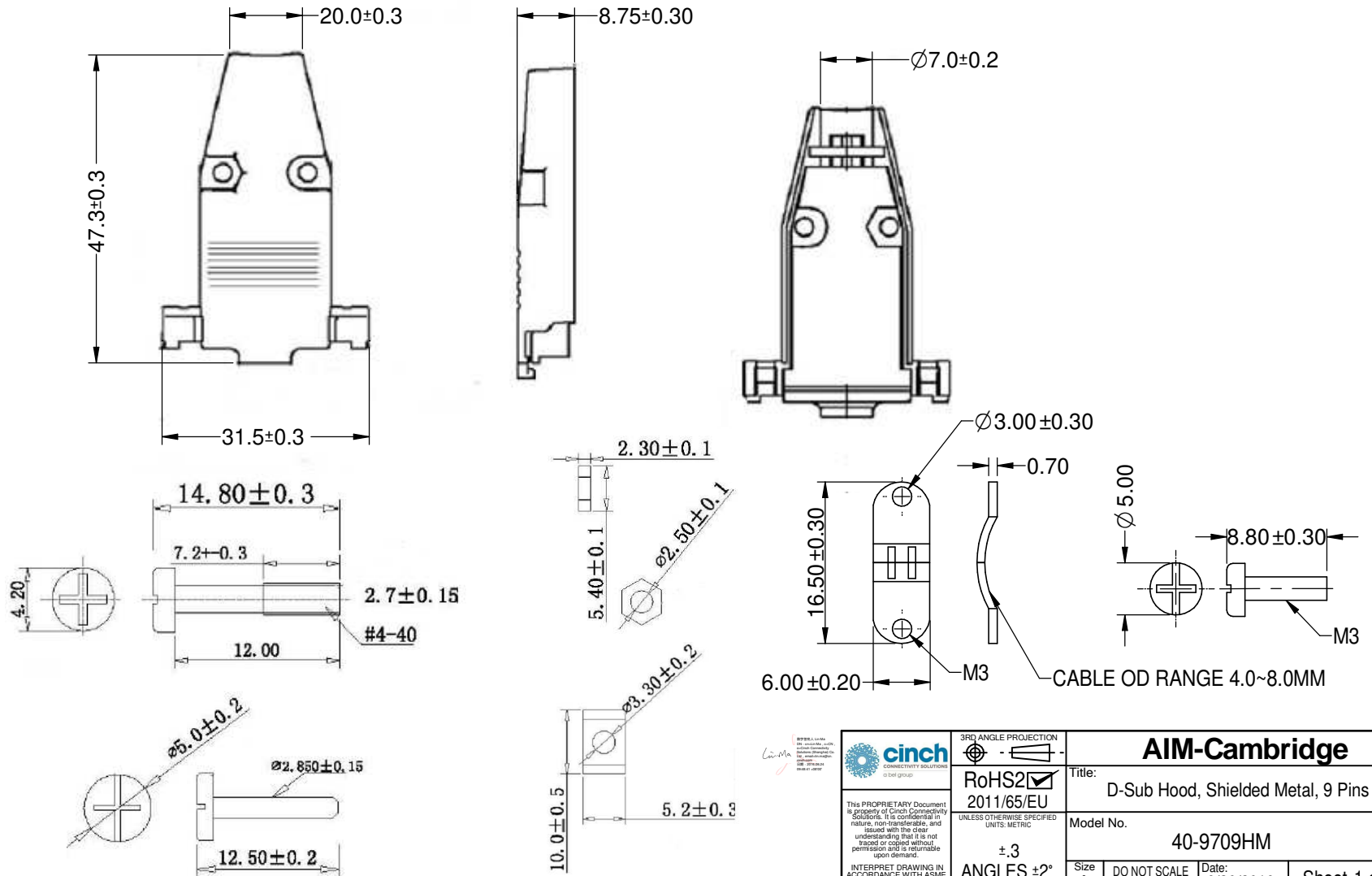
Email & Skype: info@chipsmall.com Web: www.chipsmall.com

Address: A1208, Overseas Decoration Building, #122 Zhenhua RD., Futian, Shenzhen, China





DESCRIPTION: D-SUB HOOD, SHIELDED METAL, 9 PINS
 PART NUMBER: 40-9709HM
 APPLICATION: D-SUB HOOD
 CRIMP TOOL: N/A
 IMPEDANCE: N/A
 FREQUENCY RANGE: N/A
 MATERIAL: ZINC ALLOY
 RoHS COMPLIANCE: YES
 TECHNICAL DETAIL: N/A
 ATTACHMENT: SCREW, NUT & SHIM



	3RD ANGLE PROJECTION 	AIM-Cambridge	
	RoHS2 <input checked="" type="checkbox"/> 2011/65/EU <small>UNLESS OTHERWISE SPECIFIED UNITS: METRIC</small>	Title: D-Sub Hood, Shielded Metal, 9 Pins	
<small>This PROPRIETARY Document is property of Cinch Connectivity Solutions. It is confidential in nature, non-transferable, and issued with the clear understanding that it is not to be copied or used without permission and is returnable upon demand.</small> INTERPRET DRAWING IN ACCORDANCE WITH ASME Y14.5-2009.	±.3 ANGLES ±2°	Model No. 40-9709HM	Sheet 1 of 1
Size A	DO NOT SCALE DRAWING	Date: 6/20/2016	Sheet 1 of 1