



Chipsmall Limited consists of a professional team with an average of over 10 year of expertise in the distribution of electronic components. Based in Hongkong, we have already established firm and mutual-benefit business relationships with customers from,Europe,America and south Asia,supplying obsolete and hard-to-find components to meet their specific needs.

With the principle of “Quality Parts,Customers Priority,Honest Operation,and Considerate Service”,our business mainly focus on the distribution of electronic components. Line cards we deal with include Microchip,ALPS,ROHM,Xilinx,Pulse,ON,Everlight and Freescale. Main products comprise IC,Modules,Potentiometer,IC Socket,Relay,Connector.Our parts cover such applications as commercial,industrial, and automotives areas.

We are looking forward to setting up business relationship with you and hope to provide you with the best service and solution. Let us make a better world for our industry!



Contact us

Tel: +86-755-8981 8866 Fax: +86-755-8427 6832

Email & Skype: info@chipsmall.com Web: www.chipsmall.com

Address: A1208, Overseas Decoration Building, #122 Zhenhua RD., Futian, Shenzhen, China



5

4

3

2

1

DRAWING NO.
40-9809S-CUST(SEE TABLE I)

REVISIONS

01 OFFICIAL RELEASE					
02-25-11	J	J	J	L	M

Description: 98 Series crimp style panel & cable mount

D-Sub connectors

Part No: 40-9809S

Application: 98 Series D-Sub Connector

Crimp Tool: N/A

Impedance: N/A

Frequency Range: N/A

Material: Shell Steel, Nickel plated
 Insulator PBT+Fiber-grass and nylon-66,
 UL94-V0 Black

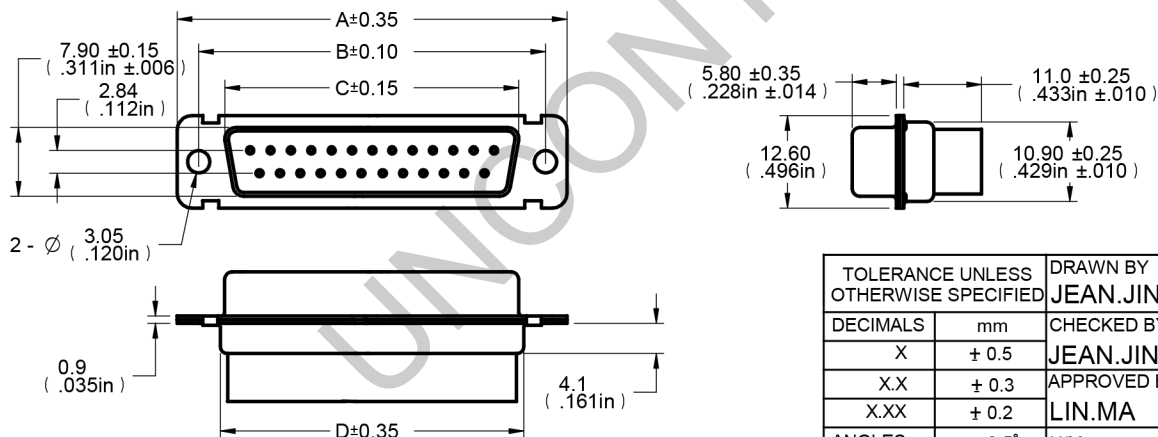
RoHS Compliance: Yes

Technical Detail: N/A



TABLE I

Part Number	Description	A (mm)	B (mm)	C (mm)	D (mm)
40-9809S	FEMALE SOCKET, CRIMP STYLE, 9-PIN	30.80	24.99	16.30	19.20
40-9815S	FEMALE SOCKET, CRIMP STYLE, 15-PIN	39.15	33.32	24.65	27.70
40-9825S	FEMALE SOCKET, CRIMP STYLE, 25-PIN	53.00	47.04	38.40	41.10
40-9837S	FEMALE SOCKET, CRIMP STYLE, 37-PIN	69.30	63.50	54.80	57.30



CUSTOMER COPY

TOLERANCE UNLESS OTHERWISE SPECIFIED	DRAWN BY	DATE
DECIMALS	JEAN.JIN	02-25-11
X ± 0.5	CHECKED BY	DATE
XX ± 0.3	JEAN.JIN	02-25-11
X.XX ± 0.2	APPROVED BY	DATE
ANGLES ± 0.5°	LIN.MA	02-25-11
	U/M	mm



TITLE
98 SERIES CRIMP STYLE PANEL & CABLE MOUNT D-SUB CONNECTORS

THIS DRAWING WAS PRODUCED BY COMPUTER, DO NOT SCALE DRAWING OR UPDATE MANUALLY.

SHEET	DRAWING NO.	SIZE
1 OF 1	40-9809S-CUST (SEE TABLE I)	A

5

4

3

2

1

DIM OUTLINE

SOLID EDGE RESISTOR COPY