



Chipsmall Limited consists of a professional team with an average of over 10 year of expertise in the distribution of electronic components. Based in Hongkong, we have already established firm and mutual-benefit business relationships with customers from,Europe,America and south Asia,supplying obsolete and hard-to-find components to meet their specific needs.

With the principle of “Quality Parts,Customers Priority,Honest Operation,and Considerate Service”,our business mainly focus on the distribution of electronic components. Line cards we deal with include Microchip,ALPS,ROHM,Xilinx,Pulse,ON,Everlight and Freescale. Main products comprise IC,Modules,Potentiometer,IC Socket,Relay,Connector.Our parts cover such applications as commercial,industrial, and automotives areas.

We are looking forward to setting up business relationship with you and hope to provide you with the best service and solution. Let us make a better world for our industry!



Contact us

Tel: +86-755-8981 8866 Fax: +86-755-8427 6832

Email & Skype: info@chipsmall.com Web: www.chipsmall.com

Address: A1208, Overseas Decoration Building, #122 Zhenhua RD., Futian, Shenzhen, China



5

4

3

2

1

D

C

B

A



Description: F screw locks, .30"
 Part No: 40-98440F/-C
 Application: D-Sub Hardware
 Crimp Tool: N/A
 Impedance: N/A
 Frequency Range: N/A
 Material: Bolt Brass Nickel plated
 Nut Steel Nickel plated
 Washer Steel Nickel plated
 Washer Steel Nickel plated
 RoHS Compliance: Yes
 Technical Detail: N/A

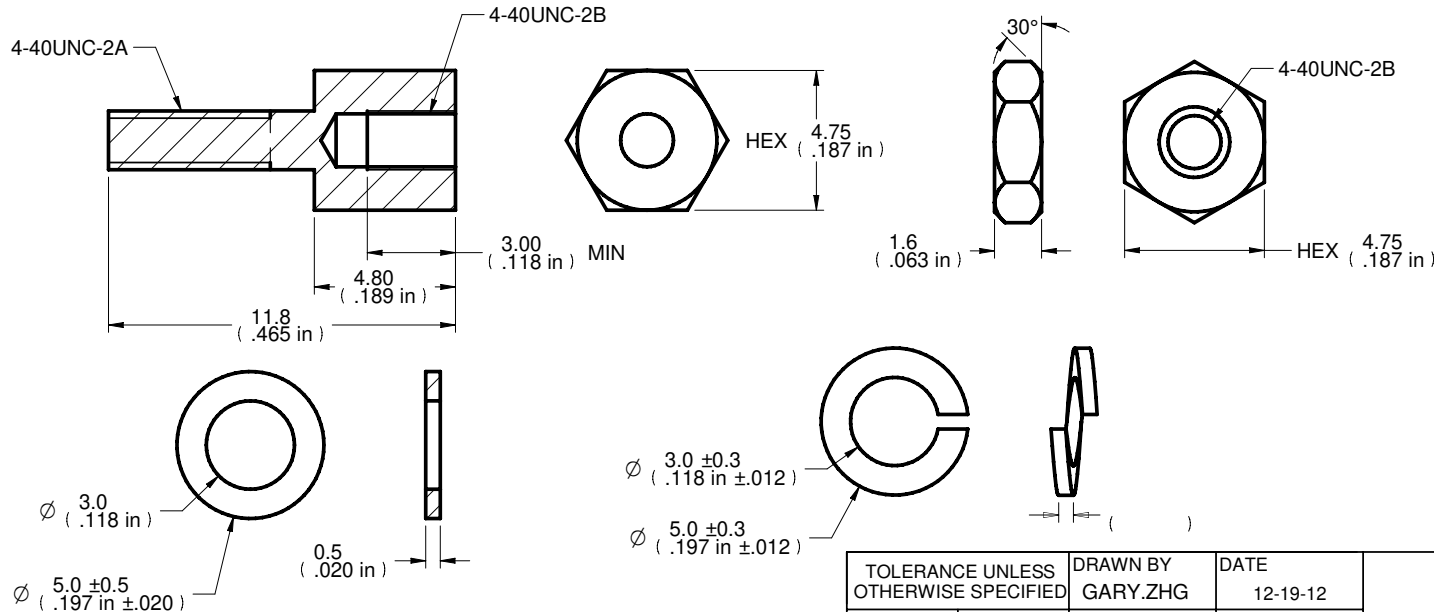
DRAWING NO. 40-98440F/-C-CUST	
REVISIONS	
01	OFFICIAL RELEASE 04-02-11 J J D
	CHANGE BOLT MATERIAL FROM STEEL TO BRASS 07-26-11 L H M ECO-11-0127
03	ADD P/N -C 12-19-12 G Z M M L ECO-12-0335

D

C

B

A



CUSTOMER COPY

DIM OUTLINE

TOLERANCE UNLESS OTHERWISE SPECIFIED		DRAWN BY GARY.ZHG		DATE 12-19-12	
DECIMALS	mm	CHECKED BY MONICA.W		DATE 12-19-12	
X.X	+ 0.2	APPROVED BY MA LIN		DATE 12-19-12	
X.XX	+ 0.1	U/M		mm	
X.XXX	+0.08				
ANGLES	+ 0.5°				



TITLE
F SCREW LOCKS, .30" (1SET)

THIS DRAWING WAS PRODUCED BY COMPUTER,
 DO NOT SCALE DRAWING OR UPDATE MANUALLY.

SHEET 1 OF 1	DRAWING NO. 40-98440F/-C-CUST	SIZE A
-----------------	----------------------------------	------------------

5

4

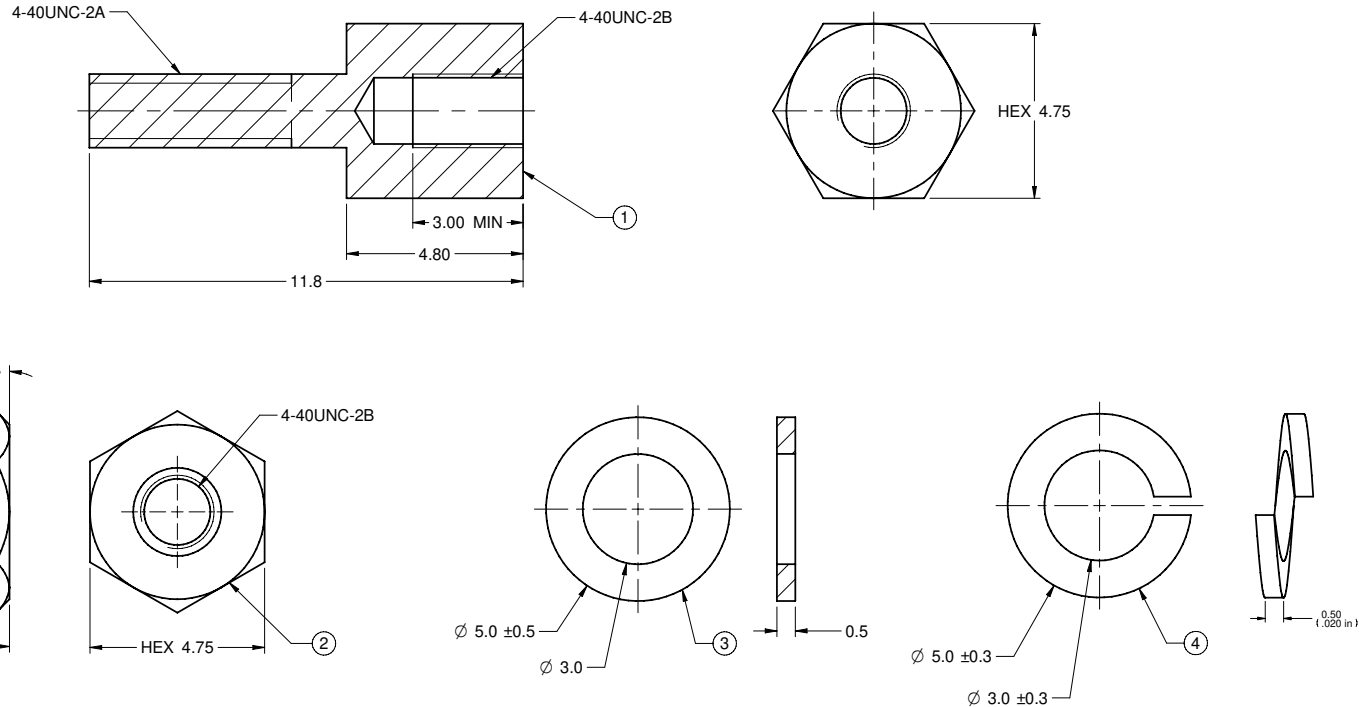
3

2

1

PART NUMBER	ITEM ① BOLT	ITEM ② NUT	ITEM ③ WASHER	ITEM ④ WASHER
40-98440F/-C	BRASS NICKEL PLATED	STEEL NICKEL PLATED	STEEL NICKEL PLATED	STEEL NICKEL PLATED

DRAWING NO. 40-98440F/-C	
REVISIONS	
01	OFFICIAL RELEASE 04-02-11
02	CHANGE BOLT MATERIAL FROM STEEL TO BRASS 07-26-11
03	ADD P/N -C 12-19-12



- NOTES:
- PRODUCT SHOULD BE RoHS COMPLIANCE.
 - PACKAGING REQUIREMENT FOLLOWS ENGINEER DOCUMENT P/N 836-4020001XX

40-98440F-C	F SCREW LOCKS, .30"(50 SET)
40-98440F	F SCREW LOCKS, .30"(1 SET)

THIS DRAWING TO BE INTERPRETED
PER ANSI Y 14.5M - 1994
COMPANY CONFIDENTIAL

TOLERANCE UNLESS OTHERWISE SPECIFIED		DRAWN BY GARY.ZHG		DATE 12-19-12	
DECIMALS	mm	CHECKED BY MONICA.W		DATE 12-19-12	
X.X	+ 0.2	APPROVED BY MA LIN		DATE 12-19-12	
X.XX	+ 0.1	U/M mm		DATE 12-19-12	
X.XXX	+ 0.08				
ANGLES	+ 0.5°				
THIS DRAWING WAS PRODUCED BY COMPUTER, DO NOT SCALE DRAWING OR UPDATE MANUALLY.				SHEET 1 OF 1	DRAWING NO. 40-98440F/-C
				SIZE C	

EMERSON
Network Power
Connectivity Solutions
TITLE
F SCREW LOCKS, .30" (1SET)