



Chipsmall Limited consists of a professional team with an average of over 10 year of expertise in the distribution of electronic components. Based in Hongkong, we have already established firm and mutual-benefit business relationships with customers from,Europe,America and south Asia,supplying obsolete and hard-to-find components to meet their specific needs.

With the principle of “Quality Parts,Customers Priority,Honest Operation,and Considerate Service”,our business mainly focus on the distribution of electronic components. Line cards we deal with include Microchip,ALPS,ROHM,Xilinx,Pulse,ON,Everlight and Freescale. Main products comprise IC,Modules,Potentiometer,IC Socket,Relay,Connector.Our parts cover such applications as commercial,industrial, and automotives areas.

We are looking forward to setting up business relationship with you and hope to provide you with the best service and solution. Let us make a better world for our industry!



Contact us

Tel: +86-755-8981 8866 Fax: +86-755-8427 6832

Email & Skype: info@chipsmall.com Web: www.chipsmall.com

Address: A1208, Overseas Decoration Building, #122 Zhenhua RD., Futian, Shenzhen, China



5

4

3

2

1

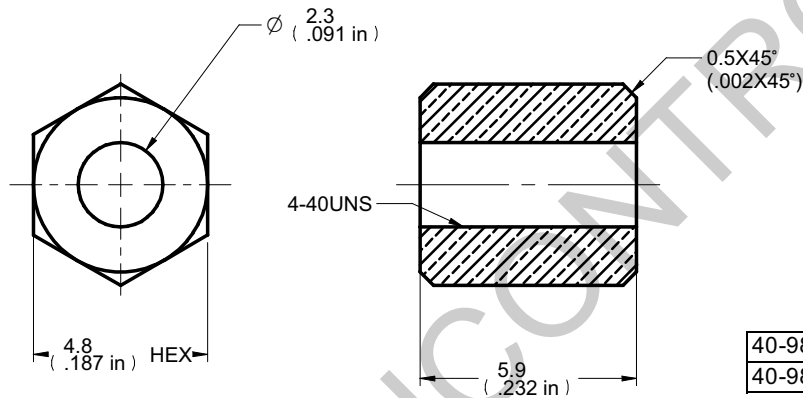
受控 CONTROLLED DOCUMENT					
编号 P/N	40-98443-C U ST	版本 Rev	01	日期 Rel'd Date	SEP 17, 09

Description: Hex Standoff, .240"/.195"
 Part No: 40-98443N/ -C
 Application: D-Sub Hardware
 Crimp Tool: N/A
 Impedance: N/A
 Frequency Range: N/A
 Material: Nut Brass Nickel Plated
 RoHS Compliance: Yes
 Technical Detail: N/A

DRAWING NO.
40-98443N /-C

REVISIONS

01	OFFICIAL RELEASE				2009.09.1
	08-05-09	I	W	T	H



40-98443N-C	HEX STANDOFF, .240"/.195"(50SET)
40-98443N	HEX STANDOFF, .240"/.195"(1SET)

DIM OUTLINE

TOLERANCE UNLESS OTHERWISE SPECIFIED		DRAWN BY IVON.W	DATE 08-05-09
DECIMALS	mm	CHECKED BY IVON.W	DATE 08-05-09
X	± 0.5	APPROVED BY THOMAS	DATE 08-05-09
X.X	± 0.3	U/M	mm
X.XX	± 0.1		
ANGLES	± 0.5°		



TITLE
HEX STANDOFF, .240"/.195"

SHEET 1 OF 1	DRAWING NO. 40-98443N /-C	SIZE A
-----------------	------------------------------	-----------

THIS DRAWING WAS PRODUCED BY COMPUTER, DO NOT SCALE DRAWING OR UPDATE MANUALLY.

CUSTOMER COPY

D

C

B

A

D

C

B

A

5

4

3

2

1