



Chipsmall Limited consists of a professional team with an average of over 10 year of expertise in the distribution of electronic components. Based in Hongkong, we have already established firm and mutual-benefit business relationships with customers from,Europe,America and south Asia,supplying obsolete and hard-to-find components to meet their specific needs.

With the principle of "Quality Parts,Customers Priority,Honest Operation,and Considerate Service",our business mainly focus on the distribution of electronic components. Line cards we deal with include Microchip,ALPS,ROHM,Xilinx,Pulse,ON,Everlight and Freescale. Main products comprise IC,Modules,Potentiometer,IC Socket,Relay,Connector.Our parts cover such applications as commercial,industrial, and automotives areas.

We are looking forward to setting up business relationship with you and hope to provide you with the best service and solution. Let us make a better world for our industry!



Contact us

Tel: +86-755-8981 8866 Fax: +86-755-8427 6832

Email & Skype: info@chipsmall.com Web: www.chipsmall.com

Address: A1208, Overseas Decoration Building, #122 Zhenhua RD., Futian, Shenzhen, China



5

4

3

2

1

受控 CONTROLLED DOCUMENT

编号 P/N	40-9844T-CUST (SEE TABLE 1)	版本 Rev	02	日期 Rel'd Date	Aug9,11
-----------	--------------------------------	-----------	----	------------------	---------

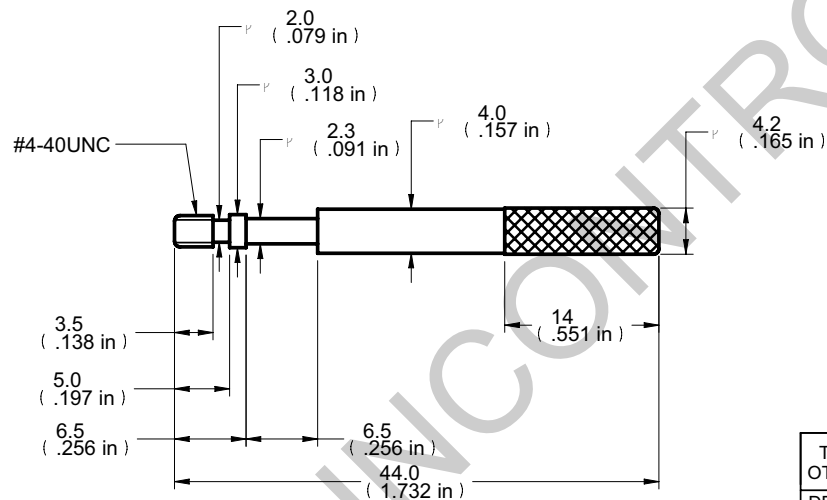
DRAWING NO.
40-9488T-CUST (SEE TABLE I)

REVISIONS

01	OFFICIAL RELEASE					
	11-12-09	Y	U	T	H	
02	CHANGE MATERIAL FROM BRASS TO STEEL					
	07-01-11	L	H	M		ECO-11-0127



Description: T'Screw Set,1.25"
Part No: 40-9844T & See Table I
Application: D-Sub Hardware
Crimp Tool: N/A
Impedance: N/A
Frequency Range: N/A
Material: Thumbscrew Steel Nickel plated
RoHS Compliance: Yes
Technical Detail: N/A




DIM OUTLINE

TABLE I

PART NUMBER	DESCRIPTION
40-9844T	T'SCREW SET ,1.25" (1SET)
40-9844TP	T'SCREW SET ,1.25" (1SET),BLISTER
40-9844T-C	T'SCREW SET ,1.25" (50SET)

TOLERANCE UNLESS OTHERWISE SPECIFIED		DRAWN BY Wencan Li	DATE 07-01-11
DECIMALS	mm	CHECKED BY Hu Yuge	DATE 07-01-11
X	± 0.5	APPROVED BY Ma Lin	DATE 07-01-11
X.X	± 0.3		
X.XX	± 0.1		
ANGLES	± 0.5-	U/M	mm

 cinch CONNECTIVITY SOLUTIONS a bel group			
			TITLE T'SCREW SET,1.25"(1SET) (SEE TABLE I)
SHEET 1 OF 1	DRAWING NO. 40-9488T-CUST (SEE TABLE I)	SIZE A	

THIS DRAWING WAS PRODUCED BY COMPUTER,
DO NOT SCALE DRAWING OR UPDATE MANUALLY.

5

4

3

2

1