



Chipsmall Limited consists of a professional team with an average of over 10 year of expertise in the distribution of electronic components. Based in Hongkong, we have already established firm and mutual-benefit business relationships with customers from,Europe,America and south Asia,supplying obsolete and hard-to-find components to meet their specific needs.

With the principle of “Quality Parts,Customers Priority,Honest Operation,and Considerate Service”,our business mainly focus on the distribution of electronic components. Line cards we deal with include Microchip,ALPS,ROHM,Xilinx,Pulse,ON,Everlight and Freescale. Main products comprise IC,Modules,Potentiometer,IC Socket,Relay,Connector.Our parts cover such applications as commercial,industrial, and automotives areas.

We are looking forward to setting up business relationship with you and hope to provide you with the best service and solution. Let us make a better world for our industry!



Contact us

Tel: +86-755-8981 8866 Fax: +86-755-8427 6832

Email & Skype: info@chipsmall.com Web: www.chipsmall.com

Address: A1208, Overseas Decoration Building, #122 Zhenhua RD., Futian, Shenzhen, China



5

4

3

2

1

受控 CONTROLLED DOCUMENT
 40-9856M-CUST
 Sep2,10

DRAWING NO.
 40-9856M-CUST

REVISIONS					
01	OFFICIAL RELEASE				
08-30-10	J	Y	T	H	201008 11:32:21 1+ 08/30/10

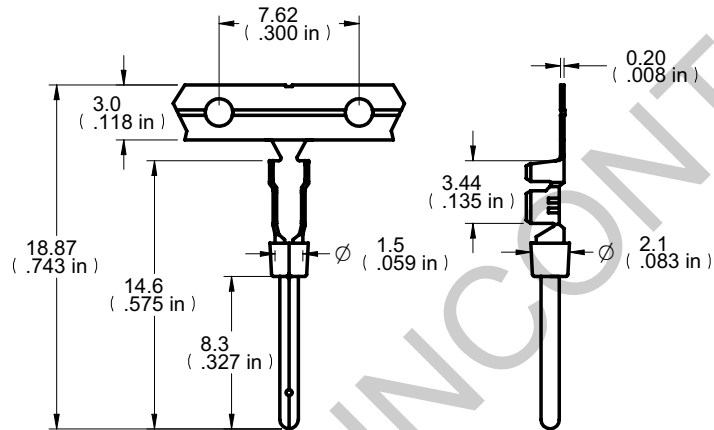
D



Description: D-sub M Crimp Pins
 Part No: 40-9856M
 Application: D-Sub Pin& Sockets
 Crimp Tool: N/A
 Impedance: N/A
 Frequency Range: N/A
 Material: Pin Brass, Gold plated
 RoHS Compliance: Yes
 Technical Detail: N/A

C

B



P/N	PACKAGE
40-9856M	100 PCS/BAG

CUSTOMER COPY

A

DIM OUTLINE

TOLERANCE UNLESS OTHERWISE SPECIFIED		DRAWN BY	DATE
DECIMALS	mm	JEAN.JIN	08-30-10
X	± 0.5	CHECKED BY	DATE
X.X	± 0.3	BETTY.YU	08-30-10
X.XX	± 0.1	APPROVED BY	DATE
ANGLES	± 0.5°	THOMAS	08-30-10
	U/M	mm	



TITLE
 D-SUB M CRIMP PINS (100/BAG)

THIS DRAWING WAS PRODUCED BY COMPUTER,
 DO NOT SCALE DRAWING OR UPDATE MANUALLY.

SHEET	DRAWING NO.	SIZE
1 OF 1	40-9856M-CUST	A

5

4

3

2

1